



**REED SWITCH DEVELOPMENTS CORP.**

2524 Norwood Court  
Racine, WI 53403  
Ph: (262)883-9060

[sales@reedswitchdevelopments.com](mailto:sales@reedswitchdevelopments.com)

**SPECIFICATION SHEET**

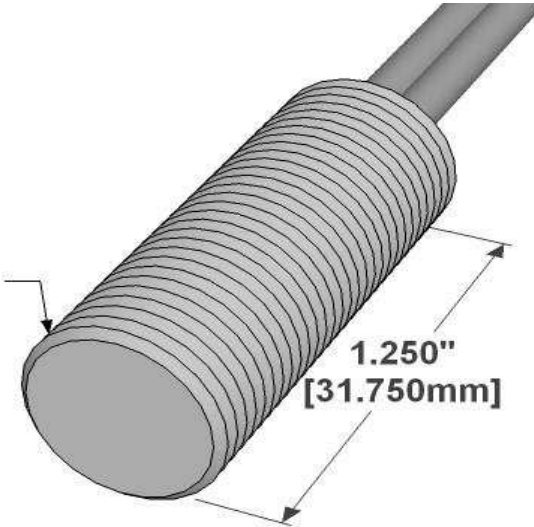
Assembly Part Number:  
**2602-1965-100**

**Reed Specifications**

Physical	Configuration*	SPST	
	Form*	A	
	Contact Position	CENTER	
	Glass L	19.00	mm
	Glass D	2.60	mm
	Total L*	55.00	mm
	Wire D	0.70	mm
	Gap Location	CENTER	
	Mount Spec*	THRU	
	Contact Material	RHODIUM	
	Max Vibration Resistance	35	G
	Max Shock Resistance (11ms)	50	G
	Lead Tensile Strength	N/A	KG
	Operating	Pull in (+/- 2AT)*	20 - 25
Drop out*		15	AT
Operate Time		2.00	ms
Bounce Time		0.50	ms
Release Time		0.10	µs
Resonant Frequency		4200	Hz
Max Operating Frequency		300	Hz
Operating Temperature Range		-40 - 105	°C
Storage Temperature	N/A	°C	
Electrical	DC Contact Rating	40	W
	AC Contact Rating	40	VA
	DC Switching Voltage	400	VDC
	AC Switching Voltage	400	VAC
	DC Switching Current	2.00	A
	AC Switching Current	2.00	A
	DC Max Carry Current	3.00	A
	AC Max Carry Current	3.00	A
	Min Breakdown Voltage	1000	VDC
	Max Initial Contact Resistance	80	mOhm
	Typical Initial Contact Resistance	N/A	mOhm
Max Contact Capacitance	0.50	pF	
Min Insulation Resistance	10 <sup>11</sup>	Ohm	

\* Pre-processed, bare reed element

**DIA 0.313" [7.950mm]  
5/16 - 24 THREAD**



**Assembly Characteristics**

Housing	2602
Housing Material	303 Stainless Steel
Reed	1965
Configuration	SPST
Form	A

**Wire/Cable Characteristics**

Type	WIRE	
Length	6.0/152.4	in/mm
Conductor Count	2	
Colors	BLK	
Insulation Material & Description	PVC	
Gauge	24	AWG
Stranded Copper	7	STR-TC
Maximum temperature	105	°C

**Standard Actuator/Minimum Make Distance**

2602-4002-000 - Alnico 5 - Cylinder	.19/4.83	in/mm
-------------------------------------	----------	-------

**Assembly Certifications**

UL RECOGNIZED (File #: E102207)	Y	
RoHS	Y	

For More Information Visit:  
[www.reedswitchdevelopments.com](http://www.reedswitchdevelopments.com)

Or Call Us At:  
**262-883-9060**

IT SHALL BE THE RESPONSIBILITY OF THE BUYER TO ENSURE THAT THE GOODS ARE SUFFICIENT AND SUITABLE FOR THE PURPOSE OR PURPOSES INTENDED (WHETHER BY THE BUYER OR BY ANY THIRD PARTY) AND THAT THEIR CAPACITY AND PERFORMANCE IS NOT ADVERSELY AFFECTED BY ANY ITEMS USED IN THEIR INSTALLATION (WHERE RELEVANT) AND/OR IN CONNECTION WITH THEM.