



**REED SWITCH DEVELOPMENTS CORP.**

2524 Norwood Court  
Racine, WI 53403  
Ph: (262)883-9060

[sales@reedswitchdevelopments.com](mailto:sales@reedswitchdevelopments.com)

**SPECIFICATION SHEET**

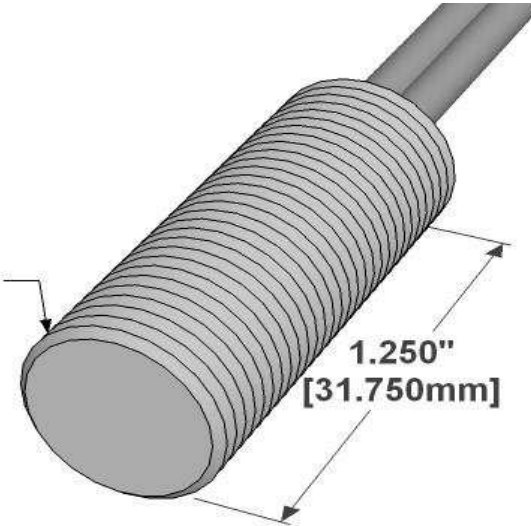
Assembly Part Number:  
**2602-1051-100**

**Reed Specifications**

|                             |                                    |                    |         |
|-----------------------------|------------------------------------|--------------------|---------|
| Physical                    | Configuration*                     | SPST               |         |
|                             | Form*                              | A                  |         |
|                             | Contact Position                   | CENTER             |         |
|                             | Glass L                            | 14.50              | mm      |
|                             | Glass D                            | 2.54               | mm      |
|                             | Total L*                           | 46.00              | mm      |
|                             | Wire D                             | 0.60               | mm      |
|                             | Gap Location                       | CENTER             |         |
|                             | Mount Spec*                        | THRU               |         |
|                             | Contact Material                   | RUTHENIUM          |         |
|                             | Max Vibration Resistance           | 10                 | G       |
|                             | Max Shock Resistance               | 150                | G       |
|                             | Lead Tensile Strength              | N/A                | KG      |
|                             | Operating                          | Pull in (+/- 2AT)* | 15 - 23 |
| Drop out*                   |                                    | 7.5-17.5           | AT      |
| Operate Time                |                                    | 0.10               | ms      |
| Bounce Time                 |                                    | 0.15               | ms      |
| Release Time                |                                    | 30                 | µs      |
| Resonant Frequency          |                                    | 5100               | Hz      |
| Max Operating Frequency     |                                    | N/A                | Hz      |
| Operating Temperature Range |                                    | -55 - 105          | °C      |
| Storage Temperature         | N/A                                | °C                 |         |
| Electrical                  | DC Contact Rating                  | 15                 | W       |
|                             | AC Contact Rating                  | N/A                | VA      |
|                             | DC Switching Voltage               | 200                | VDC     |
|                             | AC Switching Voltage               | 140                | VAC     |
|                             | DC Switching Current               | 1.00               | A       |
|                             | AC Switching Current               | 1.00               | A       |
|                             | DC Max Carry Current               | 1.75               | A       |
|                             | AC Max Carry Current               | 1.75               | A       |
|                             | Min Breakdown Voltage              | 275                | VDC     |
|                             | Max Initial Contact Resistance     | 100                | mOhm    |
|                             | Typical Initial Contact Resistance | 70                 | mOhm    |
| Max Contact Capacitance     | 0.30                               | pF                 |         |
| Min Insulation Resistance   | 10 <sup>6</sup>                    | Ohm                |         |

\* Pre-processed, bare reed element

**DIA 0.313" [7.950mm]  
5/16 - 24 THREAD**



**Assembly Characteristics**

|                  |                     |
|------------------|---------------------|
| Housing          | 2602                |
| Housing Material | 303 Stainless Steel |
| Reed             | 1051                |
| Configuration    | SPST                |
| Form             | A                   |

**Wire/Cable Characteristics**

|                                   |           |        |
|-----------------------------------|-----------|--------|
| Type                              | WIRES     |        |
| Length                            | 6.0/152.4 | in/mm  |
| Conductor Count                   | 2         |        |
| Colors                            | BLK       |        |
| Insulation Material & Description | PVC       |        |
| Gauge                             | 24        | AWG    |
| Stranded Copper                   | 7         | STR-TC |
| Maximum temperature               | 105       | °C     |

**Standard Actuator/Minimum Make Distance**

|                                     |          |       |
|-------------------------------------|----------|-------|
| 2602-4002-000 - Alnico 5 - Cylinder | .25/6.35 | in/mm |
|-------------------------------------|----------|-------|

**Assembly Certifications**

|                                 |   |  |
|---------------------------------|---|--|
| UL RECOGNIZED (File #: E102207) | Y |  |
| RoHS                            | Y |  |

For More Information Visit:  
[www.reedswitchdevelopments.com](http://www.reedswitchdevelopments.com)

Or Call Us At:  
**262-883-9060**

IT SHALL BE THE RESPONSIBILITY OF THE BUYER TO ENSURE THAT THE GOODS ARE SUFFICIENT AND SUITABLE FOR THE PURPOSE OR PURPOSES INTENDED (WHETHER BY THE BUYER OR BY ANY THIRD PARTY) AND THAT THEIR CAPACITY AND PERFORMANCE IS NOT ADVERSELY AFFECTED BY ANY ITEMS USED IN THEIR INSTALLATION (WHERE RELEVANT) AND/OR IN CONNECTION WITH THEM.