



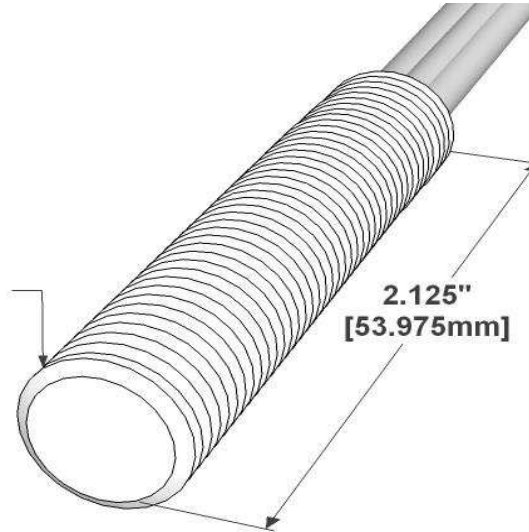
**REED SWITCH DEVELOPMENTS CORP.**

2524 Norwood Court  
Racine, WI 53403  
Ph: (262)883-9060

[sales@reedswitchdevelopments.com](mailto:sales@reedswitchdevelopments.com)

**SPECIFICATION SHEET**

Assembly Part Number:  
**2501-1710-100**



**DIA 0.375" [9.525mm]  
3/8 - 27 THREAD**

**2.125"  
[53.975mm]**

**Reed Specifications**

		Reed Specifications	
Physical	Configuration*	SPDT	
	Form*	C	
	Contact Position	OFFSET	
	Glass L	32.89	mm
	Glass D	5.33	mm
	Total L*	85.98	mm
	Wire D	1.02	mm
	Gap Location	N/A	
	Mount Spec*	THRU	
	Contact Material	TUNGSTEN	
	Max Vibration Resistance	N/A	G
	Max Shock Resistance	N/A	G
	Lead Tensile Strength	N/A	KG
Operating	Pull in (+/- 2AT)*	50 - 65	AT
	Drop out*	N/A	AT
	Operate Time (Including Bounce)	4.00	ms
	Bounce Time	N/A	ms
	Release Time	3.90	ms
	Resonant Frequency	N/A	Hz
	Max Operating Frequency	N/A	Hz
	Operating Temperature Range	-40 - 105	°C
	Storage Temperature	N/A	°C
DC Contact Rating	100	W	
Electrical	AC Contact Rating	N/A	VA
	DC Switching Voltage	120	VDC
	AC Switching Voltage	85	VAC
	DC Switching Current	3.00	A
	AC Switching Current	3.00	A
	DC Max Carry Current	3.60	A
	AC Max Carry Current	3.60	A
	Min Breakdown Voltage	150	VDC
	Max Initial Contact Resistance	500	mOhm
	Typical Initial Contact Resistance	N/A	mOhm
	Max Contact Capacitance	1.60	pF
Min Insulation Resistance	10^10	Ohm	

\* Pre-processed, bare reed element

**Assembly Characteristics**

Housing	2501
Housing Material	ANODIZED AL (T6/6061)
Reed	1710
Configuration	SPDT
Form	C

**Wire/Cable Characteristics**

Type	WIRE
Length	18.0/457.2 in/mm
Conductor Count	3
Colors	RED, BLK, WHT
Insulation Material & Description	PVC
Gauge	22 AWG
Stranded Copper	7 STR
Maximum temperature	105 °C

**Standard Actuator/Minimum Make Distance**

2501-4932-000 - NEO 30 - Cylinder	.31/7.87 in/mm
-----------------------------------	----------------

**Assembly Certifications**

UL RECOGNIZED (File #: E102207)	Y
RoHS	Y

For More Information Visit:  
[www.reedswitchdevelopments.com](http://www.reedswitchdevelopments.com)

Or Call Us At:  
**262-883-9060**

IT SHALL BE THE RESPONSIBILITY OF THE BUYER TO ENSURE THAT THE GOODS ARE SUFFICIENT AND SUITABLE FOR THE PURPOSE OR PURPOSES INTENDED (WHETHER BY THE BUYER OR BY ANY THIRD PARTY) AND THAT THEIR CAPACITY AND PERFORMANCE IS NOT ADVERSELY AFFECTED BY ANY ITEMS USED IN THEIR INSTALLATION (WHERE RELEVANT) AND/OR IN CONNECTION WITH THEM.