



REED SWITCH DEVELOPMENTS CORP.

2524 Norwood Court
Racine, WI 53403
Ph: (262)883-9060

sales@reedswitchdevelopments.com

SPECIFICATION SHEET

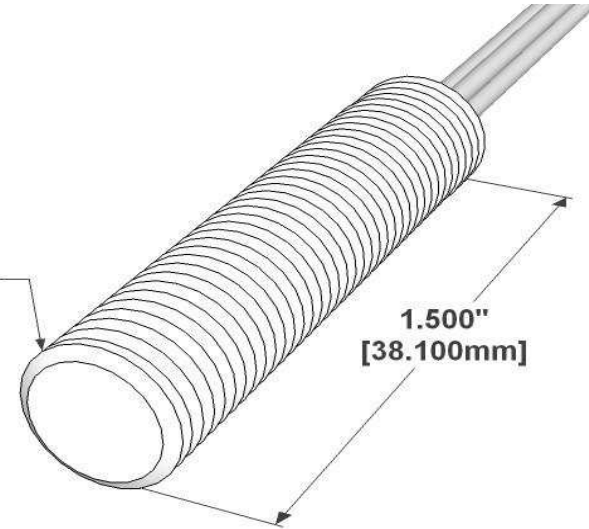
Assembly Part Number:
2451-1301-100

Reed Specifications

Physical	Configuration*	SPDT	
	Form*	C	
	Contact Position	OFF-CENTER	
	Glass L	14.73	mm
	Glass D	2.54	mm
	Total L*	51.66	mm
	Wire D	0.51	mm
	Gap Location		
	Mount Spec*	THRU	
	Contact Material		
	Max Vibration Resistance	30	G
	Max Shock Resistance	50	G
	Lead Tensile Strength	N/A	KG
	Operating	Pull in (+/- 2AT)*	15 - 20
Drop out*		N/A	AT
Operate Time		0.70	ms
Bounce Time		N/A	ms
Release Time		1.00	ms
Resonant Frequency		11000	Hz
Max Operating Frequency		N/A	Hz
Operating Temperature Range		-40 - 105	°C
Storage Temperature		N/A	°C
Electrical	DC Contact Rating	5	W
	AC Contact Rating	N/A	VA
	DC Switching Voltage	175	VDC
	AC Switching Voltage	123	VAC
	DC Switching Current	0.25	A
	AC Switching Current	0.25	A
	DC Max Carry Current	1.50	A
	AC Max Carry Current	1.50	A
	Min Breakdown Voltage	200	VDC
	Max Initial Contact Resistance	100	mOhm
	Typical Initial Contact Resistance	N/A	mOhm
Max Contact Capacitance	1	pF	
Min Insulation Resistance	10 ⁹	Ohm	

* Pre-processed, bare reed element

**DIA 0.313" [7.950mm]
5/16 - 24 THREAD**



Assembly Characteristics

Housing	2451
Housing Material	ANODIZED AL (T6/6061)
Reed	1301
Configuration	SPDT
Form	C

Wire/Cable Characteristics

Type	WIRE	
Length	6.0/152.4	in/mm
Conductor Count	3	
Colors	RED, BLK, WHT	
Insulation Material & Description	PVC	
Gauge	24	AWG
Stranded Copper	7	STR
Maximum temperature	105	°C

Standard Actuator/Minimum Make Distance

2451-4006-000 - Alnico 5 - Cylinder	.19/4.83	in/mm

Assembly Certifications

UL RECOGNIZED (File #: E102207)	Y	
RoHS	Y	

For More Information Visit:
www.reedswitchdevelopments.com

Or Call Us At:
262-883-9060

IT SHALL BE THE RESPONSIBILITY OF THE BUYER TO ENSURE THAT THE GOODS ARE SUFFICIENT AND SUITABLE FOR THE PURPOSE OR PURPOSES INTENDED (WHETHER BY THE BUYER OR BY ANY THIRD PARTY) AND THAT THEIR CAPACITY AND PERFORMANCE IS NOT ADVERSELY AFFECTED BY ANY ITEMS USED IN THEIR INSTALLATION (WHERE RELEVANT) AND/OR IN CONNECTION WITH THEM.