

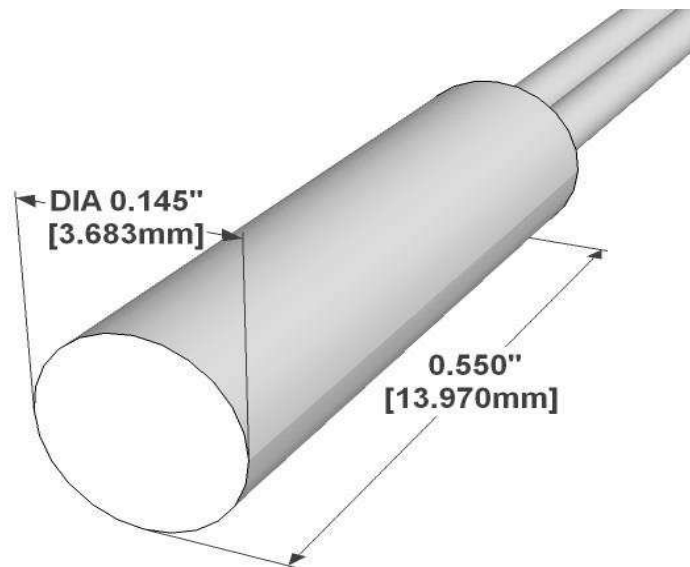
SPECIFICATION SHEET

Assembly Part Number:
2105-1090-600

Reed Specifications

| Physical | |
|------------------------------------|---------------------|
| Configuration* | SPST |
| Form* | A |
| Contact Position | CENTER |
| Glass L | 7.00 mm |
| Glass D | 1.80 mm |
| Total L* | 46.00 mm |
| Wire D | 0.45 mm |
| Gap Location | CENTER |
| Mount Spec* | THRU |
| Contact Material | RUTHENIUM |
| Max Vibration Resistance | 10 G |
| Max Shock Resistance (11ms) | 100 G |
| Lead Tensile Strength | N/A KG |
| Pull in (+/- 2AT)* | 7 - 12 AT |
| Drop out* | 3 - 16 AT |
| Operating | |
| Operate Time | 0.115 ms |
| Bounce Time | 0.035 ms |
| Release Time | 0.035 ms |
| Resonant Frequency | 17900 Hz |
| Max Operating Frequency | N/A Hz |
| Operating Temperature Range | -55 - 105 °C |
| Storage Temperature | N/A °C |
| DC Contact Rating | 10 W |
| AC Contact Rating | N/A VA |
| Electrical | |
| DC Switching Voltage | 170 VDC |
| AC Switching Voltage | 120 VAC |
| DC Switching Current | 0.500 A |
| AC Switching Current | 0.500 A |
| DC Max Carry Current | 0.500 A |
| AC Max Carry Current | 0.500 A |
| Min Breakdown Voltage | 210 VDC |
| Max Initial Contact Resistance | 150 mOhm |
| Typical Initial Contact Resistance | 120 mOhm |
| Max Contact Capacitance | 0.350 pF |
| Min Insulation Resistance | 10 ⁶ Ohm |

* Pre-processed, bare reed element



Assembly Characteristics

| | |
|------------------|--------------|
| Housing | 2105 |
| Housing Material | Celanex 3316 |
| Reed | 1091 |
| Configuration | SPST |
| Form | A |

Wire/Cable Characteristics

| | |
|-----------------------------------|-----------------|
| Type | Wire |
| Length | 6.0/152.4 in/mm |
| Conductor Count | 2 |
| Colors | YEL |
| Insulation Material & Description | TFE |
| Gauge | 24 AWG |
| Stranded Copper | 19 STR |
| Maximum temperature | 105 °C |

Standard Actuator/Minimum Make Distance

| | | |
|-----------------------------------|---------|-------|
| 2110-4902-000 - NEO 30 - Cylinder | .06/1.5 | in/mm |
| | | |

Assembly Certifications

| | |
|---------------|---|
| UL Recognized | N |
| RoHS | Y |

For More Information Visit:
www.reedswitchdevelopments.com

Or Call Us At:
262-883-9060

IT SHALL BE THE RESPONSIBILITY OF THE BUYER TO ENSURE THAT THE GOODS ARE SUFFICIENT AND SUITABLE FOR THE PURPOSE OR PURPOSES INTENDED (WHETHER BY THE BUYER OR BY ANY THIRD PARTY) AND THAT THEIR CAPACITY AND PERFORMANCE IS NOT ADVERSELY AFFECTED BY ANY ITEMS USED IN THEIR INSTALLATION (WHERE RELEVANT) AND/OR IN CONNECTION WITH THEM.