



NPN 2N3773

HIGH POWER TRANSISTOR

The 2N3773 is silicon planar NPN transistor in Jedec TO-3 metal case. They are intended for linear amplifiers and inductive switching applications. Compliance to RoHS.

ABSOLUTE MAXIMUM RATINGS

Symbol	Ratings		Value	Unit
V_{CEO}	Collector-Emitter Voltage	$I_B = 0$	140	V
V_{CBO}	Collector-Base Voltage	$I_E = 0$	160	V
V_{EBO}	Emitter-Base Voltage	$I_C = 0$	7	V
V_{CEX}	Collector-Emitter Voltage	$V_{BE} = -1.5V$	160	V
I_C	Collector Current		16	A
I_{CM}	Collector Peak Current		30	A
I_B	Base Current		4	A
I_{BM}	Base Peak Current		15	A
P_t	Total Power Dissipation	@ $T_C = 25^\circ$	150	W
T_J	Junction Temperature		150	$^\circ C$
T_{Stg}	Storage Temperature		-65 to +200	$^\circ C$

ELECTRICAL CHARACTERISTICS

$T_C = 25^\circ C$ unless otherwise noted

Symbol	Ratings	Test Condition(s)	Min	Typ	Max	Unit
$V_{CEO(SUS)}$	Collector-Emitter Sustaining Voltage (*)	$I_C = 200\text{ mA}, I_B = 0$	140	-	-	V
I_{CEO}	Collector Cutoff Current	$V_{CE} = 140\text{ V}, I_B = 0$	-	-	2	mA
I_{CEX}	Collector Cutoff Current	$V_{CE} = 140\text{ V}, V_{BE} = -1.5V$	-	-	2	mA
		$V_{CE} = 140\text{ V}, V_{BE} = -1.5V$ $T_{case} = 150^\circ C$	-	-	10	
I_{EBO}	Emitter Cutoff Current	$V_{EB} = 7\text{ V}, I_C = 0$	-	-	5	mA
h_{FE}	DC Current Gain (*)	$I_C = 8\text{ A}, V_{CE} = 4\text{ V}$	15	-	60	-
		$I_C = 16\text{ A}, V_{CE} = 4\text{ V}$	5	-	-	
$V_{CE(SAT)}$	Collector-Emitter saturation Voltage (*)	$I_C = 8\text{ A}, I_B = 800\text{ mA}$	-	-	1.4	V
		$I_C = 16\text{ A}, I_B = 3.2\text{ A}$	-	-	4	
V_{BE}	Base-Emitter Voltage (*)	$I_C = 8\text{ A}, V_{CE} = 4\text{ V}$	-	-	2.2	V
$I_{S/B}$	Second breakdown collector current	$V_{CE} = 100\text{ V}, t_s = 1\text{ s}$	1.5	-	-	A

(*) Pulse Duration = 300 μs , Duty Cycle $\leq 2\%$



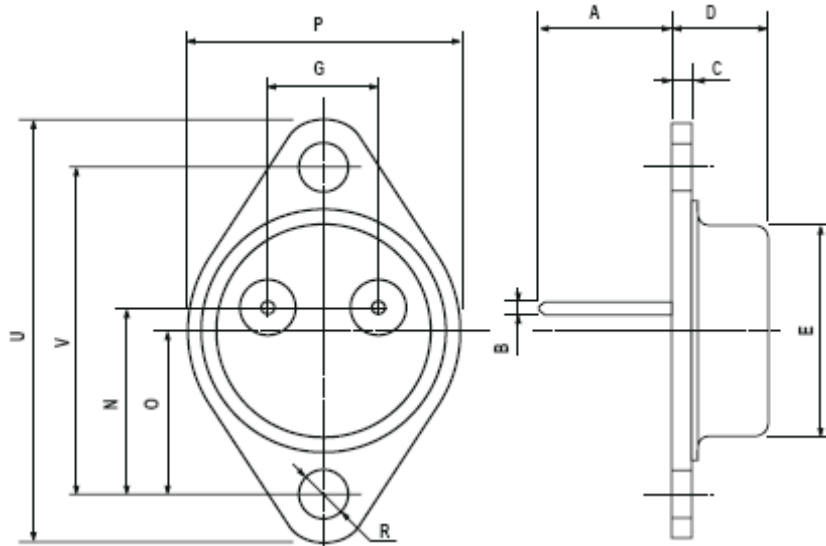
NPN 2N3773

THERMAL CHARACTERISTICS

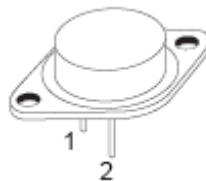
Symbol	Ratings	Value	Unit
R_{thJC}	Thermal Resistance, Junction to Case	1.17	°C/W

MECHANICAL DATA CASE TO-3

DIMENSIONS (mm)		
	min	max
A	11	13.10
B	0.97	1.15
C	1.5	1.65
D	8.32	8.92
F	19	20
G	10.70	11.1
N	16.50	17.20
P	25	26
R	4	4.09
U	38.50	39.30
V	30	30.30



Pin 1 :	Base
Pin 2 :	Emitter
Case :	Collector



Revised August 2012

Information furnished is believed to be accurate and reliable. However, Comset Semiconductors assumes no responsibility for the consequences of use of such information nor for any infringement of patents or other rights of third parties which may result from its use. Data are subject to change without notice. Comset Semiconductors makes no warranty, representation or guarantee regarding the suitability of its products for any particular purpose, nor does Comset Semiconductors assume any liability arising out of the application or use of any product and specifically disclaims any and all liability, including without limitation consequential or incidental damages. Comset Semiconductors' products are not authorized for use as critical components in life support devices or systems.