

NPN BSS50A-51A-52A

SILICON PLANAR EPITAXIAL TRANSISTORS

They are NPN transistors mounted in TO-39 metal package.

They are designed for use in industrial switching applications e.g. print hammer, solenoid, relay and lamp driving .

PNP complements are the BSS60A – 61A – 62A .

Compliance to RoHS.

ABSOLUTE MAXIMUM RATINGS

Symbol	Ratings	Value	Unit	
V_{CBO}	Collector-Base Voltage	BSS50A	60	V
		BSS51A	80	
		BSS52A	90	
V_{CER}	Collector-Emitter Voltage $V_{BE} = 0$	BSS50A	45	V
		BSS51A	60	
		BSS52A	80	
V_{EBO}	Emitter-Base Voltage	5	V	
I_C	Collector Current	I_C	1	A
		I_{CM}	2	
I_B	Base Current	0.1	A	
P_{tot}	Total Power Dissipation	@ $T_{case} = 25^\circ$	5	W
		@ $T_{amb} = 25^\circ$	0.8	
T_J	Junction Temperature	200	$^\circ C$	
T_{Stg}	Storage Temperature range	-65 to +150	$^\circ C$	

THERMAL CHARACTERISTICS

Symbol	Ratings	Value	Unit
R_{thJ-c}	Thermal Resistance, Junction-case	35	K/ W
$R_{thJ-amb}$	Thermal Resistance, Junction-ambient	220	K/ W

NPN BSS50A-51A-52A

ELECTRICAL CHARACTERISTICS

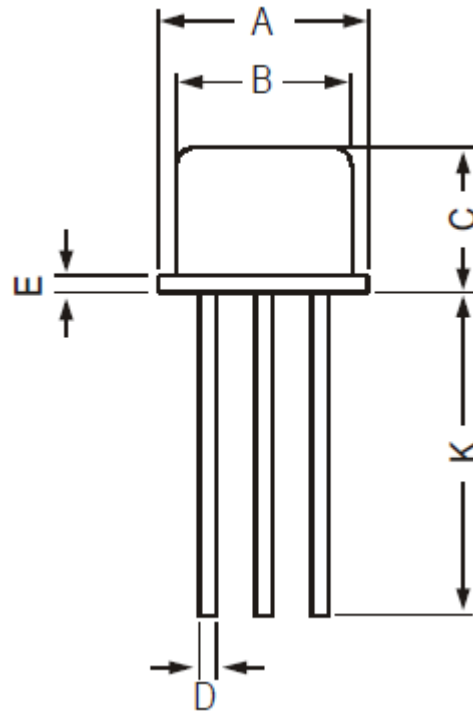
TC=25°C unless otherwise noted

Symbol	Ratings	Test Condition(s)	Min	Typ	Max	Unit	
I_{CBO}	Collector Cutoff Current	$I_E = 0 ; V_{CB} = 45V$	BSS50A	-	-	50	nA
		$I_E = 0 ; V_{CB} = 60V$	BSS51A				
		$I_E = 0 ; V_{CB} = 80V$	BSS52A				
I_{EBO}	Emitter Cutoff Current	$I_C = 0 ; V_{EB} = 4 V$	BSS50A	-	-	700	μA
			BSS51A				
			BSS52A				
$V_{CE(SAT)}$	Collector-Emitter saturation Voltage	$I_C = 500 \text{ mA} , I_B = 0.5 \text{ mA}$		-	-	1.3	V
		$I_C = 500 \text{ mA} , I_B = 0.5 \text{ mA}$ $T_j = 200^\circ C$		-	-	1.3	
		$I_C = 1 \text{ A} , I_B = 1 \text{ mA}$	BSS51A	-	-	1.6	
		$I_C = 1 \text{ A} , I_B = 1 \text{ mA}$ $T_j = 200^\circ C$		-	-	2.3	
		$I_C = 1 \text{ A}$ $I_B = 4 \text{ mA}$	BSS50A / BSS52A	-	-	1.6	
		$I_C = 1 \text{ A}$ $I_B = 4 \text{ mA}$ $T_j = 200^\circ C$		-	-	1.6	
$V_{BE(SAT)}$	Base-Emitter saturation Voltage	$I_C = 500 \text{ mA} , I_B = 0.5 \text{ mA}$		-	-	1.9	
		$I_C = 1 \text{ A}$ $I_B = 1 \text{ mA}$	BSS51A	-	-	2.2	
		$I_C = 1 \text{ A}$ $I_B = 4 \text{ mA}$	BSS50A / BSS52A	-	-	2.2	
h_{FE}	DC Current Gain	$I_C = 150 \text{ mA}$ $V_{CE} = 10 \text{ V}$	BSS50A	800	-	-	-
			BSS51A				
			BSS52A				
		$I_C = 500 \text{ mA}$ $V_{CE} = 10 \text{ V}$	BSS50A	2000	-	-	
			BSS51A				
			BSS52A				
h_{fe}	Small Signal Current Gain	$I_C = 500 \text{ mA}$ $V_{CE} = 5 \text{ V}$ $f = 35 \text{ MHz}$	BSS50A	-	10	-	-
			BSS51A				
			BSS52A				
t_{on}	Switching times	$I_{Con} = 500 \text{ mA}$ $I_{B1} = -I_{B2} = 0.5 \text{ mA}$	-	0.4	-	μs	
t_{off}			-	1.5	-		
t_{on}	Switching times	$I_{Con} = 1 \text{ mA}$ $I_{B1} = -I_{B2} = 1 \text{ mA}$	-	0.4	-	μs	
t_{off}			-	1.5	-		

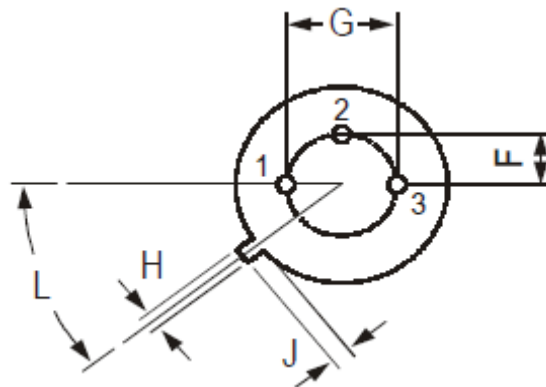
NPN BSS50A-51A-52A

MECHANICAL DATA CASE TO-39

DIMENSIONS (mm)		
	min	max
A	8.50	9.39
B	7.74	8.50
C	6.09	6.60
D	0.40	0.53
E	-	0.88
F	2.41	2.66
G	4.82	5.33
H	0.71	0.86
J	0.73	1.02
K	12.70	-
L	42°	48°



Pin 1 :	Emitter
Pin 2 :	Base
Pin 3 :	Collector
Case :	Collector



Revised september 2012

Information furnished is believed to be accurate and reliable. However, Comset Semiconductors assumes no responsibility for the consequences of use of such information nor for any infringement of patents or other rights of third parties which may results from its use. Data are subject to change without notice. Comset Semiconductors makes no warranty, representation or guarantee regarding the suitability of its products for any particular purpose, nor does Comset Semiconductors assume any liability arising out of the application or use of any product and specifically disclaims any and all liability, including without limitation consequential or incidental damages. Comset Semiconductors' products are not authorized for use as critical components in life support devices or systems.