

PNP 2N6053

POWER COMPLEMENTARY SILICON TRANSISTORS

The 2N6053 are silicon epitaxial-base transistors in monolithic Darlington configuration mounted in Jedec TO-3 metal case.

They are intended for use in power linear and low frequency switching applications.

The complementary NPN types are 2N6055.

Compliance to RoHS.

ABSOLUTE MAXIMUM RATINGS

Symbol	Ratings			Value	Unit
V_{CBO}	Collector-Base Voltage	$I_E=0$	2N6053	-60	V
V_{CEO}	Collector-Emitter Voltage	$I_B=0$	2N6053	-60	V
V_{EBO}	Emitter-Base Voltage	$I_C=0$		-5.0	V
I_C	Collector Current			-8	A
I_{CM}	Collector Peak Current			-16	A
I_B	Base Current			-120	mA
P_T	Power Dissipation	@ $T_C < 25^\circ$		100	W
T_J	Junction			200	°C
T_S	Storage Temperature			-65 to +200	

THERMAL CHARACTERISTICS

Symbol	Ratings	Value	Unit
R_{thJ-C}	Thermal Resistance, Junction to Case	1.17	°C/W

PNP 2N6053

ELECTRICAL CHARACTERISTICS

TC=25°C unless otherwise noted

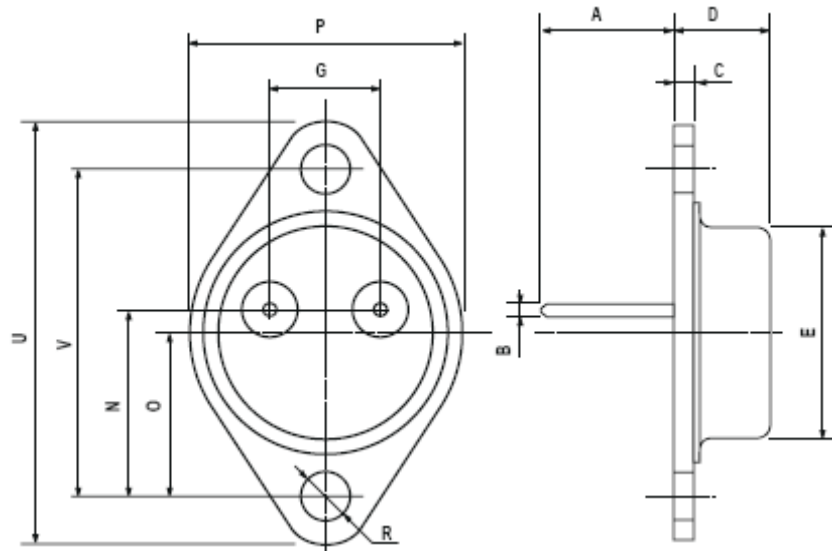
Symbol	Ratings	Test Condition(s)	Min	Typ	MAx	Unit	
I_{CEX}	Collector Cutoff Current	$V_{CE} = V_{CEX} = -60\text{ V}, V_{BE} = 1.5\text{ V}$	2N6053	-	-	-500	μA
		$V_{CE} = V_{CEX} = -60\text{ V}, V_{BE} = 1.5\text{ V}$ $T_C = 150^\circ\text{C}$	2N6053	-	-	-5	mA
I_{CEO}	Collector Cutoff Current	$V_{CE} = -30\text{ Vdc}, I_B = 0$	2N6053	-	-	-0.5	mA
I_{EBO}	Emitter Cutoff Current	$V_{EB} = -5\text{ V}$	2N6053	-	-	-2.0	mA
$V_{CEO(SUS)}$	Collector-Emitter Sustaining Voltage (*)	$I_C = -0.1\text{ A}$	2N6053	-60	-	-	V
$V_{CE(SAT)}$	Collector-Emitter saturation Voltage (*)	$I_C = -4\text{ A}, I_B = -16\text{ mA}$	2N6053	-	-	-2.0	V
		$I_C = -8\text{ A}, I_B = -80\text{ mA}$	2N6053	-	-	-3.0	
$V_{BE(SAT)}$	Base-Emitter Saturation Voltage (*)	$I_C = -8\text{ A}, I_B = -80\text{ mA}$	2N6053	-	-	-4	V
$V_{BE(ON)}$	Base-Emitter Voltage (*)	$I_C = -4\text{ A}, V_{CE} = -3\text{ V}$	2N6053	-	-	-2.8	V
f_T	Transition Frequency	$I_C = -3\text{ A}, V_{CE} = -3\text{ V}, f = 1\text{ MHz}$	2N6053	4	-	-	MHz
h_{FE}	DC Current Gain (*)	$V_{CE} = -3\text{ V}, I_C = -4\text{ A}$	2N6053	750	-	18000	-
		$V_{CE} = -3.0\text{ V}, I_C = -8\text{ A}$	2N6053	100	-	-	-

(*) Pulse Width $\approx 300\ \mu\text{s}$, Duty Cycle $\angle 2.0\%$

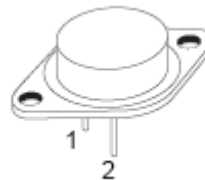
PNP 2N6053

MECHANICAL DATA CASE TO-3

DIMENSIONS (mm)		
	min	max
A	11	13.10
B	0.97	1.15
C	1.5	1.65
D	8.32	8.92
F	19	20
G	10.70	11.1
N	16.50	17.20
P	25	26
R	4	4.09
U	38.50	39.30
V	30	30.30



Pin 1 :	Base
Pin 2 :	Emitter
Case :	Collector



Revised September 2012

Information furnished is believed to be accurate and reliable. However, Comset Semiconductors assumes no responsibility for the consequences of use of such information nor for any infringement of patents or other rights of third parties which may result from its use. Data are subject to change without notice. Comset Semiconductors makes no warranty, representation or guarantee regarding the suitability of its products for any particular purpose, nor does Comset Semiconductors assume any liability arising out of the application or use of any product and specifically disclaims any and all liability, including without limitation consequential or incidental damages. Comset Semiconductors' products are not authorized for use as critical components in life support devices or systems.