

## PNP TIP125-126-127

### SILICON DARLINGTON POWER TRANSISTORS

PNP epitaxial-base transistors in a monolithic Darlington circuit and housed in a TO-220 envelope. They are intended for use in power linear and switching applications. NPN complements are TIP120-121-122. Compliance to RoHS.

#### ABSOLUTE MAXIMUM RATINGS

Symbol	Ratings		Value	Unit	
$V_{CBO}$	Collector-Base Voltage		TIP125	-60	V
			TIP126	-80	
			TIP127	-100	
$V_{CEO}$	Collector-Emitter Voltage		TIP125	-60	V
			TIP126	-80	
			TIP127	-100	
$V_{EBO}$	Emitter-Base Voltage		TIP125	-5	V
			TIP126		
			TIP127		
$I_C$	Collector Current		TIP125	-5	A
			TIP126		
			TIP127		
$I_{CM}$	Collector Peak Current		TIP125	-8	A
			TIP126		
			TIP127		
$I_B$	Base Current		TIP125	-120	mA
			TIP126		
			TIP127		
$P_T$	Power Dissipation	@ $T_c < 25^\circ$	TIP125	65	W
			TIP126		
			TIP127		
		@ $T_a < 25^\circ$	TIP125	2	
			TIP126		
			TIP127		
$T_J$	Junction Temperature		TIP125	150	$^\circ\text{C}$
			TIP126		
			TIP127		
$T_s$	Storage Temperature range		TIP125	-65 to +150	
			TIP126		
			TIP127		

## PNP TIP125-126-127

### THERMAL CHARACTERISTICS

Symbol	Ratings	Value	Unit
$R_{thJ-case}$	From junction-case	1.92	°C/W
$R_{thJ-amb}$	From junction-ambient	62.5	°C/W

### ELECTRICAL CHARACTERISTICS

TC=25°C unless otherwise noted

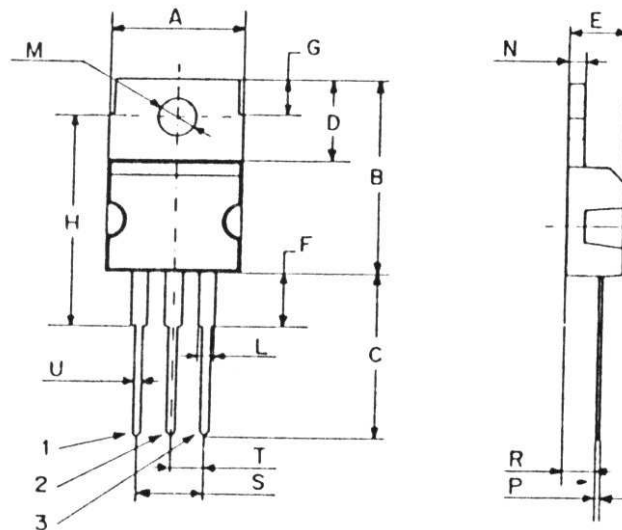
Symbol	Ratings	Test Condition(s)	Min	Typ	Max	Unit	
$I_{CBO}$	Collector Cutoff Current	$I_E = 0$ $V_{CB} = -V_{CB0max}$	TIP125	-	-	-0.2	mA
			TIP126				
			TIP127				
$I_{CEO}$	Collector Cutoff Current	$I_E = 0$ $V_{CE} = 1/2 -V_{CEOmax}$	TIP125	-	-	-0.5	mA
			TIP126				
			TIP127				
$I_{EBO}$	Emitter Cutoff Current	$V_{EB} = -5 V$ $I_C = 0$	TIP125	-	-	-2	mA
			TIP126				
			TIP127				
$V_{CEO}$	Collector-Emitter Breakdown Voltage (*)	$I_C = -30 mA$ $I_B = 0$	TIP125	-60	-	-	V
			TIP126	-80	-	-	
			TIP127	-100	-	-	
$V_{CE(SAT)}$	Collector-Emitter saturation Voltage (*)	$I_C = -3 A$ $I_B = -12 mA$	TIP125	-	-	-2	V
			TIP126				
			TIP127				
		$I_C = -5 A$ $I_B = -20 mA$	TIP125	-	-	-4	
			TIP126				
			TIP127				
$V_{BE(on)}$	Base-Emitter Voltage (*)	$I_C = -3 A$ $V_{CE} = -3 V$	TIP125	-	-	-2.5	V
			TIP126				
			TIP127				
$h_{FE}$	DC Current Gain (*)	$V_{CE} = -3.0 V$ $I_C = -0.5 A$	TIP125	1000	-	-	-
			TIP126				
			TIP127				
		$V_{CE} = -3.0 V$ $I_C = -3 A$	TIP125	1000	-	-	
			TIP126				
			TIP127				
$C_{OB}$	Output Capacitance	$I_E = 0, V_{CB} = -10 V$ $f_{test} = 1MHz$	TIP125	-	-	200	pF
			TIP126				
			TIP127				

(\*) Pulse Width  $\approx 300 \mu s$ , Duty Cycle  $\angle 2.0\%$

## PNP TIP125-126-127

### MECHANICAL DATA CASE TO-220

DIMENSIONS (mm)		
	Min.	Max.
A	9,90	10,30
B	15,65	15,90
C	13,20	13,40
D	6,45	6,65
E	4,30	4,50
F	2,70	3,15
G	2,60	3,00
H	15,75	17,15
L	1,15	1,40
M	3,50	3,70
N	-	1,37
P	0,46	0,55
R	2,50	2,70
S	4,98	5,08
T	2,49	2,54
U	0,70	0,90



Pin 1 :	Base
Pin 2 :	Collector
Pin 3 :	Emitter
Case :	Collector

Revised August 2012

Information furnished is believed to be accurate and reliable. However, Comset Semiconductors assumes no responsibility for the consequences of use of such information nor for any infringement of patents or other rights of third parties which may result from its use. Data are subject to change without notice. Comset Semiconductors makes no warranty, representation or guarantee regarding the suitability of its products for any particular purpose, nor does Comset Semiconductors assume any liability arising out of the application or use of any product and specifically disclaims any and all liability, including without limitation consequential or incidental damages. Comset Semiconductors' products are not authorized for use as critical components in life support devices or systems.