
ML610Q346/ML610346

8-bit Microcontroller with Voice Output Function

GENERAL DESCRIPTION

Equipped with an LAPIS Semiconductor original 8-bit CPU nX-U8/100, the ML610Q346/ML610346 is a high-performance 8-bit CMOS microcontroller that integrates a wide variety of peripherals such as an op-amp, 12-bit A/D converter, timer, synchronous serial port, UART, and voice output function. The nX-U8/100 CPU is capable of executing instructions efficiently on a one-instruction-per-clock-pulse basis through parallel processing by the 3-stage pipelined architecture. The microcontroller is also equipped with a flash memory that has achieved low voltage and low power consumption (at read) equivalent to mask ROMs, so it is best suited to battery-driven applications such as cellular phones. In addition, it has an on-chip debugging function, which allows software debugging/rewriting with the LSI mounted on the board.

FEATURES

- CPU
 - 8-bit RISC CPU (CPU name: nX-U8/100)
 - Instruction repertoire: 16-bit length instructions
 - Instruction set: Transfer, arithmetic operations, comparison, logical operations, multiply/divide operations, bit manipulation, bit logical operations, jump, conditional jump, call return stack manipulation, and arithmetic shift instructions.
 - Built-in on-chip debugging function
 - Minimum instruction execution time:
 - 31.25 μ s (@ 32kHz system clock)
 - 0.244 μ s (@ 4.096 MHz system clock)
- Internal memory
 - ML610Q346
 - Has 128-Kbyte flash memory (64K \times 16-bit) built in. (including unusable 1KByte TEST area)
 - ML610346
 - Has 128-Kbyte mask memory (64K \times 16-bit) built in. (including unusable 1KByte TEST area)
 - Has 1-Kbyte RAM (1024 \times 8-bit) built in.
- Interrupt controller
 - Non-maskable interrupt: 2 sources (1 internal source and 1 external sources)
 - Maskable interrupt: 18 sources (10 internal sources and 8 external sources)
- Time-base counter
 - Low-speed side time-base counter \times 1ch
 - High-speed side time-base counter \times 1ch
- Watchdog timer
 - Generates a non-maskable interrupt upon the first overflow and a system reset occurs upon the second
 - Free-running
 - Selectable overflow period: 4 types (125 ms, 500 ms, 2 sec, 8 sec)
- Timer
 - 8-bit \times 2ch (16-bit configuration also enabled)

- Voice output function
 - Voice synthesis method: HQ-ADPCM / 4-bit ADPCM2 / 8-bit non-linear PCM / 8-bit PCM / 16-bit PCM
 - Sampling frequency: 6.4/8/10.7/12.8/16/21.3/25.6/32 kHz
- Speaker amplifier output power
 - 1W(at 5V)
- Synchronous serial port
 - Master/slave selectable
 - LSB/MSB-first selectable
 - 8-bit/16-bit length selectable
- UART
 - Half-Duplex Communication
 - TXD/RXD × 1 channel
 - Bit length, with/without parity, odd/even parity, 1 or 2 stop bits
 - Positive/negative logic selectable
 - Built-in baud-rate generator
- Successive-approximation type A/D converter
 - 12-bit A/D converter
 - Input: 3ch
 - Conversion time: 26.86 μs per channel at 4.096 MHz
- Op-amp
 - 3ch
 - Composition is possible as reversal amplifier, reversed amplifier, and a comparator.
- General-purpose port
 - Input-only port × 8ch
 - Output-only port × 4ch (those as secondary functions are also included)
 - Input-output port × 16ch (those as secondary functions are also included)
- Reset
 - Resetting by the RESET_N pin
 - Resetting upon power-on detection
 - Resetting upon WDT overflow detection
- Clock
 - Low-speed side clock
 - Built-in RC oscillator (32 kHz)
 - High-speed side clock
 - Crystal/ceramic oscillation (4.096 MHz), external clock
- Power management
 - HALT mode: Halts the execution of instructions issued by the CPU (the peripheral circuits continue operating)
 - STOP mode: Stops low-speed and high-speed oscillation (the CPU and the peripheral circuits stop operating)
 - Clock gear: Allows changing the frequency of the high-speed system clock by software (oscillator clock divided by 1, 2, 4, or 8)
 - Block Control Function: Power down (reset registers and stop clock supply) the circuits of unused peripherals.

- Shipment
 - 64-pin TQFP
 - High-speed side clock : Crystal/ceramic oscillation (4.096 MHz)
 - Flash Memory : ML610Q346-xxxTB (blank product: ML610Q346-NNNTB)
 - Mask Memory : ML610346-xxxTB

 - High-speed side clock : external clock
 - Flash Memory : ML610Q346J-xxxTB (blank product: ML610Q346J-NNNTB)
 - Mask Memory : ML610346J-xxxTB

 - xxx: ROM code number

- Guaranteed operating range
 - Operating temperature: -40°C to $+85^{\circ}\text{C}$
 - Operating voltage: $V_{\text{DD}} = 2.2$ to 5.5 V, $\text{SPV}_{\text{DD}} = 2.3$ to 5.5 V, $\text{AV}_{\text{DD}} = 2.2$ to 5.5 V
(Be sure to apply the same voltage to V_{DD} and SPV_{DD} power supplies.)

BLOCK DIAGRAM

Figure 1 is a block diagram of the ML610Q346.

Symbols with an asterisk “*” indicate that each of them is the secondary or tertiary function of the corresponding port.

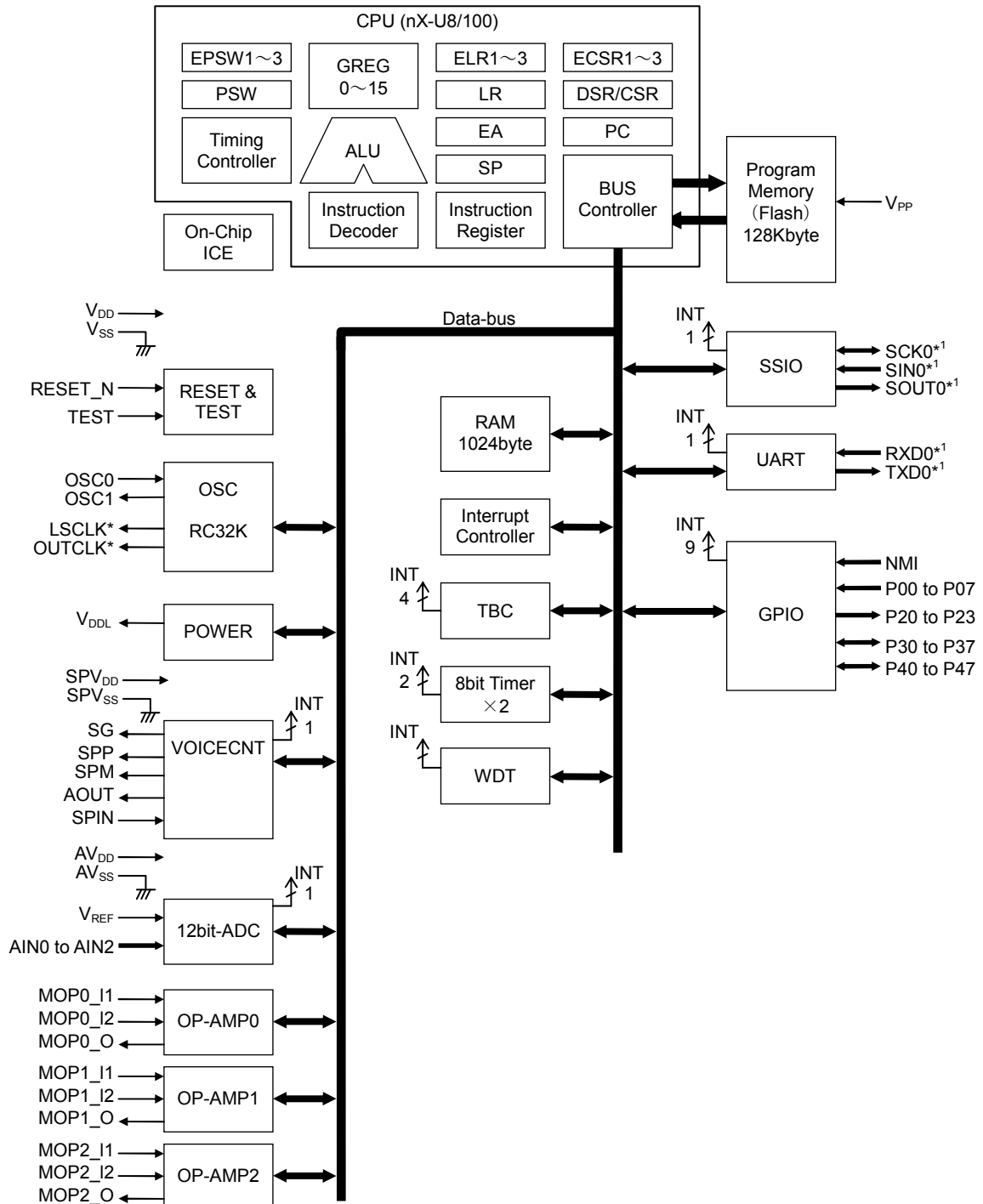


Figure 1 Block Diagram of ML610Q346

Figure 2 is a block diagram of the ML610346.

Symbols with an asterisk “*” indicate that each of them is the secondary or tertiary function of the corresponding port.

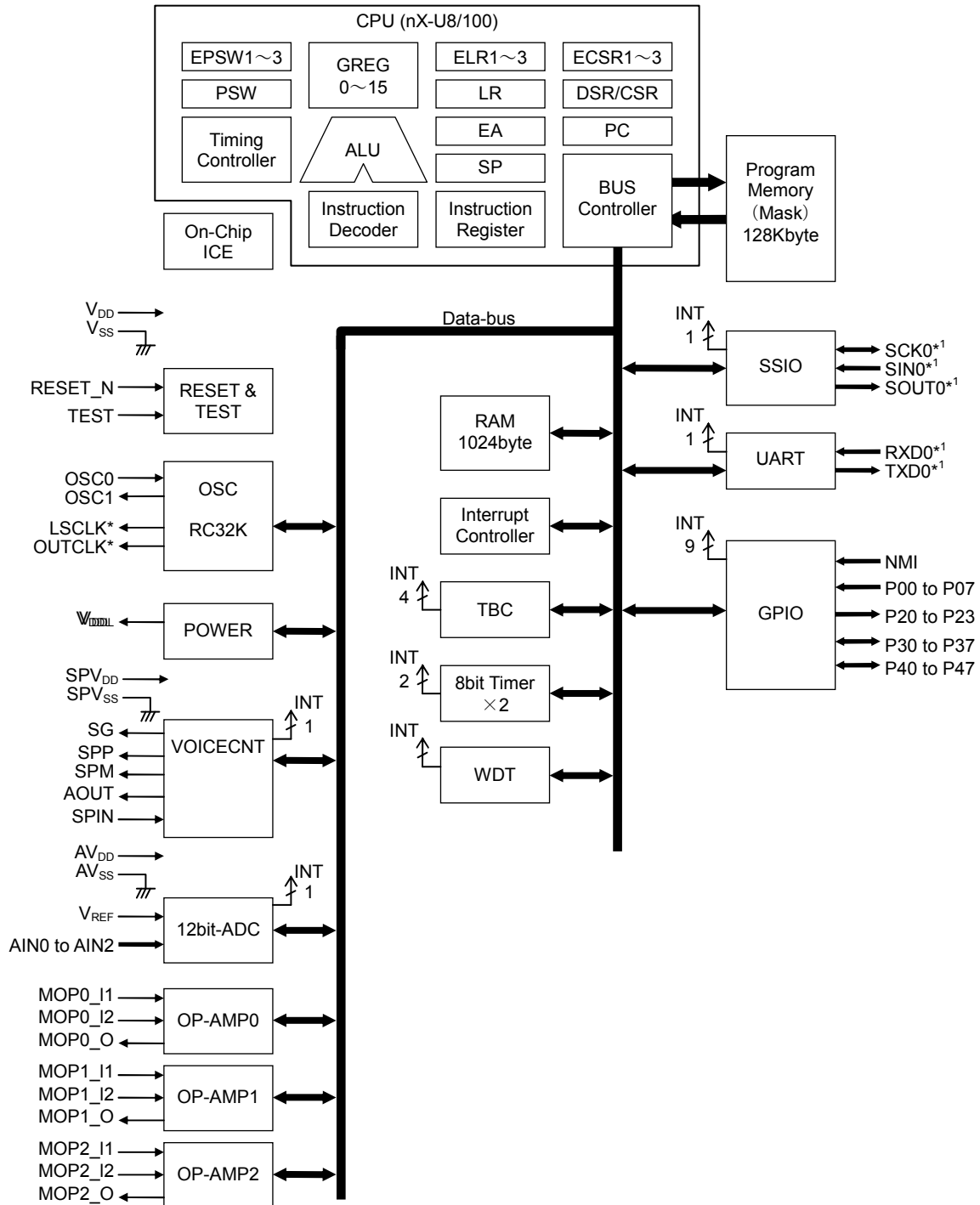
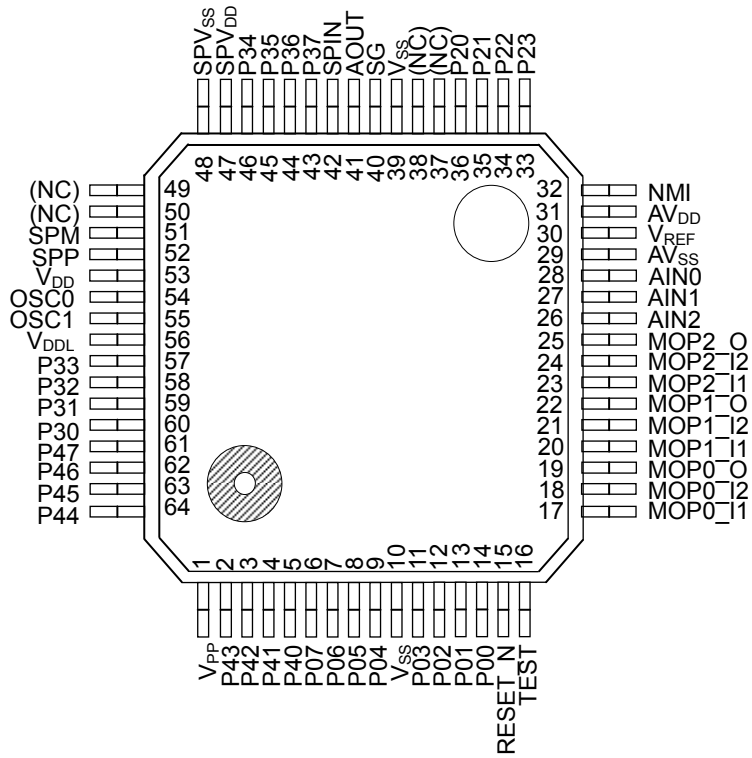


Figure 2 Block Diagram of ML610346

PIN CONFIGURATION

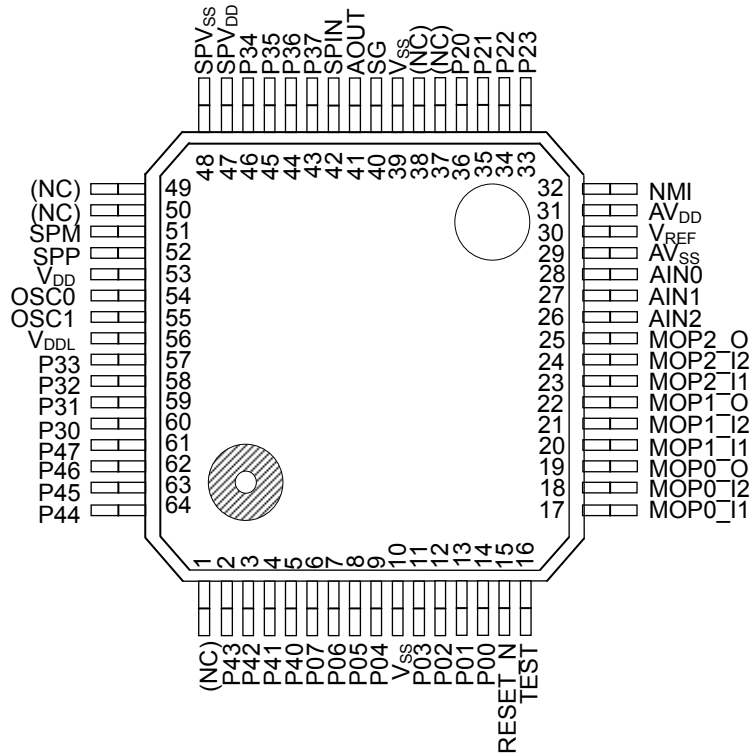
ML610Q346 TQFP package product



NC: No Connection

Figure 3 Pin Configuration of ML610Q346 Package Product

ML610346 TQFP package product



NC: No Connection

Figure 4 Pin Configuration of ML610346 Package Product

LIST OF PINS

PAD No	Primary function			Secondary function			Tertiary function		
	Pin name	I/O	Description	Pin name	I/O	Description	Pin name	I/O	Description
10,39	V _{SS}	—	Negative power supply pin	—	—	—	—	—	—
53	V _{DD}	—	Positive power supply pin	—	—	—	—	—	—
56	V _{DDL}	—	Power supply for internal logic (internally generated)	—	—	—	—	—	—
48	SPV _{SS}	—	Negative power supply pin for built-in speaker amplifier	—	—	—	—	—	—
47	SPV _{DD}	—	Positive power supply pin for built-in speaker amplifier	—	—	—	—	—	—
29	AV _{SS}	—	Negative power supply pin for successive-approximation type ADC/OP-amp	—	—	—	—	—	—
31	AV _{DD}	—	Positive power supply pin for successive-approximation type ADC/OP-amp	—	—	—	—	—	—
1	V _{PP} (*)	—	Power supply pin for flash memory	—	—	—	—	—	—
16	TEST	I/O	Input/output pin for testing	—	—	—	—	—	—
15	RESET_N	I	Reset input pin	—	—	—	—	—	—
54	OSC0	I	Connection pin for high-speed clock oscillation	—	—	—	—	—	—
55	OSC1	O	Connection pin for high-speed clock oscillation	P11	I	Input port	—	—	—
41	AOUT	O	LINE output	—	—	—	—	—	—
42	SPIN	I	Analog input to the built-in speaker amplifier	—	—	—	—	—	—
40	SG	O	Reference power supply pin of the built-in speaker amplifier	—	—	—	—	—	—
52	SPP	O	Positive output pin of the built-in speaker amplifier	—	—	—	—	—	—
51	SPM	O	Negative output pin of the built-in speaker amplifier	—	—	—	—	—	—
30	V _{REF}	—	Reference power supply pin for successive-approximation type ADC	—	—	—	—	—	—
28	AIN0	I	Successive-approximation type ADC input	—	—	—	—	—	—
27	AIN1	I	Successive-approximation type ADC input	—	—	—	—	—	—
26	AIN2	I	Successive-approximation type ADC input	—	—	—	—	—	—

PAD No	Primary function			Secondary function			Tertiary function		
	Pin name	I/O	Description	Pin name	I/O	Description	Pin name	I/O	Description
32	NMI	I	Input port, non-maskable interrupt	—	—	—	—	—	—
14	P00/EXI0	I	Input port / External interrupt	—	—	—	—	—	—
13	P01/EXI1	I	Input port / External interrupt	—	—	—	—	—	—
12	P02/EXI2/RXD0	I	Input port / External interrupt / UART0 data input	—	—	—	—	—	—
11	P03/EXI3	I	Input port / External interrupt	—	—	—	—	—	—
9	P04/EXI4/T0PCK	I	Input port / External interrupt / Timer 0 external clock input	—	—	—	—	—	—
8	P05/EXI5/T1PCK	I	Input port / External interrupt / Timer 1 external clock input	—	—	—	—	—	—
7	P06/EXI6	I	Input port / External interrupt	—	—	—	—	—	—
6	P07/EXI7	I	Input port / External interrupt	—	—	—	—	—	—
36	P20/LED0	O	Output port / LED drive	LSCLK	O	Low-speed clock output	—	—	—
35	P21/LED1	O	Output port / LED drive	OUTCLK	O	high-speed clock output	—	—	—
34	P22/LED2	O	Output port / LED drive	—	—	—	—	—	—
33	P23/LED3	O	Output port / LED drive	—	—	—	—	—	—
60	P30	I/O	Input/output port	—	—	—	—	—	—
59	P31	I/O	Input/output port	—	—	—	—	—	—
58	P32	I/O	Input/output port	—	—	—	—	—	—
57	P33	I/O	Input/output port	—	—	—	—	—	—
46	P34	I/O	Input/output port	—	—	—	—	—	—
45	P35	I/O	Input/output port	—	—	—	—	—	—
44	P36	I/O	Input/output port	LSCLK	O	Low-speed clock output	—	—	—
43	P37	I/O	Input/output port	OUTCLK	O	high-speed clock output	—	—	—
5	P40	I/O	Input/output port	—	—	—	SIN0	I	SSIO0 data input
4	P41	I/O	Input/output port	—	—	—	SCK0	I/O	SSIO0 synchronous clock input/output
3	P42	I/O	Input/output port	RXD0	I	UART0 data input	SOUT0	O	SSIO0 data output
2	P43	I/O	Input/output port	TXD0	O	UART0 data output	—	—	—
64	P44/T0PCK	I/O	Input/output port, Timer 0 external clock input	—	—	—	SIN0	I	SSIO0 data input
63	P45/T1PCK	I/O	Input/output port, Timer 1 external clock input	—	—	—	SCK0	I/O	SSIO0 synchronous clock input/output
62	P46	I/O	Input/output port	—	—	—	SOUT0	O	SSIO0 data output
61	P47	I/O	Input/output port	—	—	—	—	—	—

PAD No	Primary function			Secondary function			Tertiary function		
	Pin name	I/O	Description	Pin name	I/O	Description	Pin name	I/O	Description
17	MOP0_I1	I	Op-amp0 positive analog input	—	—	—	—	—	—
18	MOP0_I2	I	Op-amp0 negative analog input	—	—	—	—	—	—
19	MOP0_O	O	Op-amp0 analog output	—	—	—	—	—	—
20	MOP1_I1	I	Op-amp1 positive analog input	—	—	—	—	—	—
21	MOP1_I2	I	Op-amp1 negative analog input	—	—	—	—	—	—
22	MOP1_O	O	Op-amp1 analog output	—	—	—	—	—	—
23	MOP2_I1	I	Op-amp2 positive analog input	—	—	—	—	—	—
24	MOP2_I2	I	Op-amp2 negative analog input	—	—	—	—	—	—
25	MOP2_O	O	Op-amp2 analog output	—	—	—	—	—	—

*: Applies to the ML610Q346.

PIN DESCRIPTION

Pin name	I/O	Description	Primary/ Secondary/ Tertiary	Logic
Power supply				
V _{SS}	—	Negative power supply pin	—	—
V _{DD}	—	Positive power supply pin	—	—
V _{DDL}	—	Positive power supply pin for internal logic (internally generated) Capacitors C _L (see measuring circuit 1) are connected between this pin and V _{SS} .	—	—
SPV _{SS}	—	Negative power supply pin for built-in speaker amplifier	—	—
SPV _{DD}	—	Positive power supply pin for built-in speaker amplifier	—	—
AV _{SS}	—	Negative power supply pin for successive-approximation type ADC/OP-amp	—	—
AV _{DD}	—	Positive power supply pin for successive-approximation type ADC/Op-amp	—	—
V _{PP} (*)	—	Power supply pin for flash memory	—	—
Test				
TEST	I/O	Input/output pin for testing. Has a pull-down resistor built in.	—	Positive
System				
RESET_N	I	Reset input pin. When this pin is set to a “L” level, the device is placed in system reset mode and the internal circuit is initialized. If after that this pin is set to a “H” level, program execution starts. This pin has a pull-up resistor built in.	—	Negative
OSC0	I	Pins for connecting a crystal unit for high speed clock.	—	—
OSC1	O	Connect a 4.096 MHz crystal unit (see Measuring Circuit 1) to these pins. Also, connect capacitors (C _{DH} and C _{GH}) between these pins and V _{SS} as required.	—	—
LSCLK	O	Low-speed clock output. This function is allocated to the secondary function of the P20 and P36 pins.	Secondary	—
OUTCLK	O	High-speed clock output. This function is allocated to the secondary function of the P21 and P37 pins.	Secondary	—
General-purpose Input port				
P00–P07	I	General-purpose input ports.	Primary	Positive
General-purpose Output port				
P20–P23	O	General-purpose output ports. Provided with a secondary function. Cannot be used as ports if their secondary function is used.	Primary	Positive
General-purpose Input/output port				
P30–P37	I/O	General-purpose input/output ports.	Primary	Positive
P40–P47	I/O	Provided with a secondary function. Cannot be used as ports if their secondary function is used.		

*Applies to the ML610Q346.

Pin name	I/O	Description	Primary/ Secondary/ Tertiary	Logic
UART				
TXD0	O	UART0 data output pin. Allocated to the secondary function of the P43 pin.	Secondary	Positive
RXD0	I	UART0 data input pin. Allocated to the primary function of the P02 pin and the secondary function of the P42 pin.	Secondary	Positive
Synchronous serial (SSIO)				
SIN0	I	Synchronous serial data input pin. Allocated to the tertiary function of the P40 pin and P44 pins.	Tertiary	Positive
SCK0	I/O	Synchronous serial clock input/output pin. Allocated to the tertiary function of the P41 and P45 pins.	Tertiary	—
SOUT0	O	Synchronous serial data output pin. Allocated to the tertiary function of the P42 and P46 pins.	Tertiary	Positive
External interrupt				
NMI	I	External non-maskable interrupt input pin. The interrupt occurs on both the rising and falling edges.	Primary	Positive/ Negative
EXI0–7	I	External maskable interrupt input pins. It is possible, for each bit, to specify whether the interrupt is enabled and select the interrupt edge by software. Allocated to the primary function of the P00–P07 pins.	Primary	Positive/ Negative
Timer				
T0P0CK	I	External clock input pin for timer 0. Allocated to the primary function of the P04 and P44 pins.	Primary	—
T1P1CK	I	External clock input pin for timer 1. Allocated to the primary function of the P05 and P45 pins.	Primary	—
LED drive				
LED0–3	O	NMOS open drain pins to allow direct driving of LED. Allocated to the secondary function of the P20–P22 pins.	Primary	Positive/ Negative
Voice output function				
AOUT	O	LINE output pin. When you use built-in speaker amplifier, connect with the SPIN pin.	—	—
SPIN	I	Analog input pin of the internal speaker amplifier.	—	—
SG	O	Reference voltage output pin of the internal speaker amplifier.	—	—
SPP	O	Positive output pin of the internal speaker amplifier.	—	—
SPM	O	Negative output pin of the internal speaker amplifier.	—	—
Successive-approximation type A/D converter				
V _{REF}	—	Reference power supply pin for the successive-approximation type A/D converter.	—	—
AIN0–AIN2	I	Analog inputs to Ch0 to Ch2 of the successive-approximation type A/D converter.	—	—
Op-amp				
MOP0_I1	I	Positive analog input pins of the op-amp0.	—	—
MOP0_I2	I	Negative analog input pins of the op-amp0.	—	—
MOP0_O	O	Analog output pins of the op-amp0.	—	—
MOP1_I1	I	Positive analog input pins of the op-amp1.	—	—
MOP1_I2	I	Negative analog input pins of the op-amp1.	—	—
MOP1_O	O	Analog output pins of the op-amp1.	—	—
MOP2_I1	I	Positive analog input pins of the op-amp2.	—	—
MOP2_I2	I	Negative analog input pins of the op-amp2.	—	—
MOP2_O	O	Analog output pins of the op-amp2.	—	—

ELECTRICAL CHARACTERISTICS

Absolute Maximum Ratings

(V_{SS} = AV_{SS} = SPV_{SS} = 0V)

Parameter	Symbol	Condition	Rating	Unit
Power supply voltage 1	V _{DD}	Ta = 25°C	-0.3 to +7.0	V
Power supply voltage 2	AV _{DD}	Ta = 25°C	-0.3 to +7.0	V
Power supply voltage 3	SPV _{DD}	Ta = 25°C	-0.3 to +7.0	V
Power supply voltage 4	V _{DDL}	Ta = 25°C	-0.3 to +3.6	V
Power supply voltage 5	V _{PP}	Ta = 25°C	-0.3 to +9.5	V
Input voltage	V _{IN}	Ta = 25°C	-0.3 to V _{DD} +0.3	V
Output voltage	V _{OUT}	Ta = 25°C	-0.3 to V _{DD} +0.3	V
Output current 1	I _{OUT1}	P03, P04, Ta = 25°C	-12 to +11	mA
Output current 2	I _{OUT2}	P02, Ta = 25°C	-12 to +20	mA
Power dissipation	PD	Ta = 25°C	861	mW
Storage temperature	T _{STG}	—	-55 to +150	°C

Recommended Operating Conditions

(V_{SS} = AV_{SS} = SPV_{SS} = 0V)

Parameter	Symbol	Condition	Range	Unit
Operating temperature	T _{OP}	—	-40 to +85	°C
Operating voltage	V _{DD}	—	2.2 to 5.5	V
	SPV _{DD}	—	2.3 to 5.5	
	AV _{DD}	—	2.2 to 5.5	
Operating frequency (CPU)	f _{OP}	—	27k to 4.2M	Hz
High-speed crystal/ceramic oscillation frequency	f _{XTH}	—	4.0M, 4.096M	Hz
High-speed crystal oscillation external capacitor	C _{DH}	—	15 to 32	pF
	C _{GH}	—	15 to 32	
Capacitor externally connected to V _{DDL} pin	C _L	—	10±30%	μF
Capacitor externally connected to SG pin	C _{SG}	—	0.1±30%	μF

Flash Memory Operating Conditions

($V_{SS} = AV_{SS} = SPV_{SS} = 0V$)

Parameter	Symbol	Condition	Range	Unit
Operating temperature	T_{OP}	At write/erase	0 to +40	°C
Operating voltage	V_{DD}	At write/erase (*1)	2.7 to 3.6	V
	V_{DDL}	At write/erase (*1)	2.5 to 2.75	
	V_{PP}	At write/erase (*1)	7.7 to 8.3	
Maximum rewrite count	C_{EP}	—	80	times
Data retention period	Y_{DR}	—	10	years

*1: When writing data to, or erasing data from, flash ROM, it is necessary to apply a voltage within the range specified above to the V_{DDL} pin.

DC Characteristics (1 of 5)

($V_{DD} = SPV_{DD} = AV_{DD} = 2.2$ to $5.5V$, $V_{SS} = AV_{SS} = SPV_{SS} = 0V$,
 $T_a = -40$ to $+85^{\circ}C$, unless otherwise specified)

Parameter	Symbol	Condition	Min.	Typ.	Max.	Unit	Measuring circuit
High-speed oscillation start time	T_{XTH}	—	—	2	20	ms	1
Low-speed RC oscillator frequency	f_{LCR}	—	27.2k	32k	36.8k	Hz	
Reset pulse width	P_{RST}	—	100	—	—	μs	
Reset noise rejection pulse width	P_{NRST}	—	—	—	0.4		
Time from power-on reset to power-up	T_{POR}	—	—	—	10	ms	

DC Characteristics (2 of 5)

($V_{DD} = SPV_{DD} = 2.3$ to $5.5V$, $AV_{DD} = 2.2$ to $5.5V$, $V_{SS} = AV_{SS} = SPV_{SS} = 0V$,
 $T_a = -40$ to $+85^{\circ}C$, unless otherwise specified)

Parameter	Symbol	Condition	Min.	Typ.	Max.	Unit	Measuring circuit
LINE amplifier output load resistance	R_{LA}	At $1/2V_{DD}$ output	10	—	—	$k\Omega$	1
LINE amplifier output voltage range	V_{AD}	At output load	$DV_{DD} \times 1/6$	—	$DV_{DD} \times 5/6$	V	
SG output voltage	V_{SG}	—	$0.95 \times DV_{DD}/2$	$DV_{DD}/2$	$1.05 \times DV_{DD}/2$	V	
SG output resistance	R_{SG}	—	57	96	135	$k\Omega$	
SPM, SPP output load resistance	R_{LSP}	—	8	—	—	Ω	
Speaker amplifier output power	PSPO1	$SPV_{DD} = 3.3V$, $f = 1kHz$, $RSPO = 8\Omega$, $THD \geq 10\%$ At SPIN Input	—	0.5	—	W	
	PSPO2	$SPV_{DD} = 5.0V$, $f = 1kHz$, $RSPO = 8\Omega$, $THD \geq 10\%$ At SPIN Input	—	1	—	W	
Output offset voltage between SPM and SPP with no signal present	VOF	$SPV_{DD} = 3.0V$, SPIN – SPM gain = $+6dB$ With a load of 8Ω	-50	—	+50	mV	

Electrical Characteristics of Op-Amp

($V_{DD} = SPV_{DD} = AV_{DD} = 2.2$ to $5.5V$, $V_{SS} = SPV_{SS} = AV_{SS} = 0V$,
 $T_a = -40$ to $+85^{\circ}C$, unless otherwise specified)

Parameter	Symbol	Condition	Min.	Typ.	Max.	Unit
Supply current	I_{DDOP}	$V_{DD} = 3.0V$, one op-amp used	—	50	80	μA
		$V_{DD} = 5.0V$, one op-amp used	—	60	90	μA
Input voltage range	V_{IP}	—	$V_{SS} - 0.1$	—	$AV_{DD} - 1.2$	V
High-level output voltage	V_{OH}	$I_f = -150\mu A$	$AV_{DD} - 0.1$	—	AV_{DD}	V
Low-level output voltage	V_{OL}	$I_f = -150\mu A$	V_{SS}	—	$V_{SS} + 0.1$	V
Input offset	V_{IO}	—	-10	—	+10	mV
Output current	I_{OUT}	When configured as a non-inverting op-amp (Gain = 1) $V_{DD} = 3.0V$, $V_{out} = 0.5$ to $1.8V$	—	—	1	mA

DC Characteristics (3 of 5) ML610Q346

($V_{DD} = SPV_{DD} = AV_{DD} = 2.2$ to $5.5V$, $V_{SS} = AV_{SS} = SPV_{SS} = 0V$,
 $T_a = -40$ to $+85^{\circ}C$, unless otherwise specified)

Parameter	Symbol	Condition	Min.	Typ.	Max.	Unit	Measuring circuit	
Supply current 1	IDD1	CPU: In STOP state. Low-speed/high-speed oscillation: stopped	$T_a \leq +40^{\circ}C$	—	0.5	2.0	μA	1
			$T_a \leq +85^{\circ}C$	—	0.5	8		
Supply current 2	IDD2	CPU: In HALT state (LTBC: Operating ^{*3}) High-speed oscillation: Stopped	$T_a \leq +40^{\circ}C$	—	1.5	3.0		
			$T_a \leq +85^{\circ}C$	—	1.5	10		
Supply current 3	IDD3	CPU: Running at 32 kHz ^{*1} High-speed oscillation: Stopped	—	10	35			
Supply current 4	IDD4	CPU: Running at 4.096MHz Crystal/ceramic oscillating mode ^{*2}	$V_{DD} = AV_{DD} = SPV_{DD} = 3.0V$	—	1.7	4		
			$V_{DD} = AV_{DD} = SPV_{DD} = 5.0V$	—	2.2	4		
Supply current 5	IDD5	CPU: Running at 4.096MHz Crystal/ceramic oscillating mode ^{*2} During voice playback (no output load)	$V_{DD} = AV_{DD} = SPV_{DD} = 3.0V$	—	3	12		
			$V_{DD} = AV_{DD} = SPV_{DD} = 5.0V$	—	8	12		
Supply current 6	IDD6	CPU: Running at 4.096MHz Crystal/ceramic oscillating mode ^{*2} ADC: Operating	$V_{DD} = AV_{DD} = SPV_{DD} = 3.0V$	—	1.9	5.5		
			$V_{DD} = AV_{DD} = SPV_{DD} = 5.0V$	—	3.2	5.5		

*1: Case when the CPU operating rate is 100% (with no HALT state)

*2: Use 4.096MHz Crystal Oscillator CHC49SFWB (Kyocera).

*3: Significant bits of BLKCON0~BLKCON4 registers are all "1".

DC Characteristics (3 of 5) ML610346

($V_{DD} = SPV_{DD} = AV_{DD} = 2.2$ to $5.5V$, $V_{SS} = AV_{SS} = SPV_{SS} = 0V$,
 $T_a = -40$ to $+85^{\circ}C$, unless otherwise specified)

Parameter	Symbol	Condition	Min.	Typ.	Max.	Unit	Measuring circuit	
Supply current 1	IDD1	CPU: In STOP state. Low-speed/high-speed oscillation: stopped	$T_a \leq +40^{\circ}C$	—	0.5	2.0	μA	1
			$T_a \leq +85^{\circ}C$	—	0.5	8		
Supply current 2	IDD2	CPU: In HALT state (LTBC: Operating ^{*3}) High-speed oscillation: Stopped	$T_a \leq +40^{\circ}C$	—	1.2	3.0		
			$T_a \leq +85^{\circ}C$	—	1.2	10		
Supply current 3	IDD3	CPU: Running at 32 kHz ^{*1} High-speed oscillation: Stopped	—	5	35			
Supply current 4	IDD4	CPU: Running at 4.096MHz Crystal/ceramic oscillating mode ^{*2}	$V_{DD} = AV_{DD} = SPV_{DD} = 3.0V$	—	1	4		
			$V_{DD} = AV_{DD} = SPV_{DD} = 5.0V$	—	2	4		
Supply current 5	IDD5	CPU: Running at 4.096MHz Crystal/ceramic oscillating mode ^{*2} During voice playback (no output load)	$V_{DD} = AV_{DD} = SPV_{DD} = 3.0V$	—	2.8	12		
			$V_{DD} = AV_{DD} = SPV_{DD} = 5.0V$	—	8	12		
Supply current 6	IDD6	CPU: Running at 4.096MHz Crystal/ceramic oscillating mode ^{*2} ADC: Operating	$V_{DD} = AV_{DD} = SPV_{DD} = 3.0V$	—	1.1	5.5		
			$V_{DD} = AV_{DD} = SPV_{DD} = 5.0V$	—	2.3	5.5		

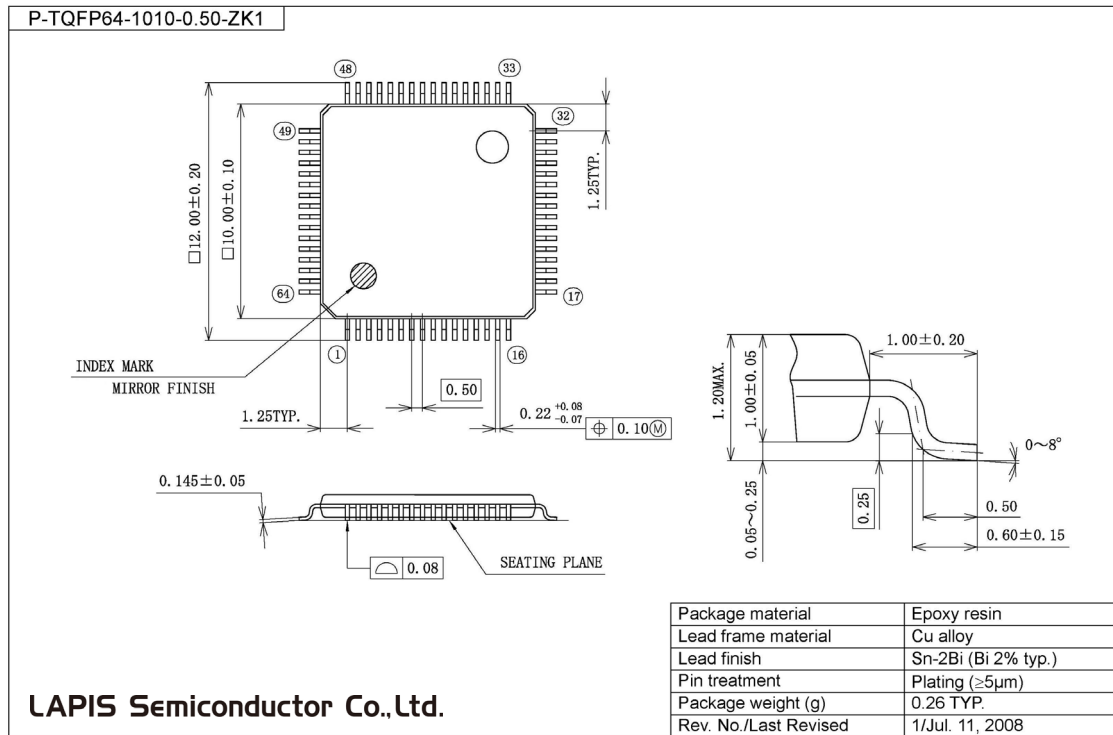
*1: Case when the CPU operating rate is 100% (with no HALT state)

*2: Use 4.096MHz Crystal Oscillator CHC49SFWB (Kyocera).

*3: Significant bits of BLKCON0~BLKCON4 registers are all "1".

PACKAGE DIMENSIONS

(Unit: mm)



NOTICE

No copying or reproduction of this document, in part or in whole, is permitted without the consent of LAPIS Semiconductor Co., Ltd.

The content specified herein is subject to change for improvement without notice.

The content specified herein is for the purpose of introducing LAPIS Semiconductor's products (hereinafter "Products"). If you wish to use any such Product, please be sure to refer to the specifications, which can be obtained from LAPIS Semiconductor upon request.

Examples of application circuits, circuit constants and any other information contained herein illustrate the standard usage and operations of the Products. The peripheral conditions must be taken into account when designing circuits for mass production.

Great care was taken in ensuring the accuracy of the information specified in this document. However, should you incur any damage arising from any inaccuracy or misprint of such information, LAPIS Semiconductor shall bear no responsibility for such damage.

The technical information specified herein is intended only to show the typical functions of and examples of application circuits for the Products. LAPIS Semiconductor does not grant you, explicitly or implicitly, any license to use or exercise intellectual property or other rights held by LAPIS Semiconductor and other parties. LAPIS Semiconductor shall bear no responsibility whatsoever for any dispute arising from the use of such technical information.

The Products specified in this document are intended to be used with general-use electronic equipment or devices (such as audio visual equipment, office-automation equipment, communication devices, electronic appliances and amusement devices).

The Products specified in this document are not designed to be radiation tolerant.

While LAPIS Semiconductor always makes efforts to enhance the quality and reliability of its Products, a Product may fail or malfunction for a variety of reasons.

Please be sure to implement in your equipment using the Products safety measures to guard against the possibility of physical injury, fire or any other damage caused in the event of the failure of any Product, such as derating, redundancy, fire control and fail-safe designs. LAPIS Semiconductor shall bear no responsibility whatsoever for your use of any Product outside of the prescribed scope or not in accordance with the instruction manual.

The Products are not designed or manufactured to be used with any equipment, device or system which requires an extremely high level of reliability the failure or malfunction of which may result in a direct threat to human life or create a risk of human injury (such as a medical instrument, transportation equipment, aerospace machinery, nuclear-reactor controller, fuel-controller or other safety device). LAPIS Semiconductor shall bear no responsibility in any way for use of any of the Products for the above special purposes. If a Product is intended to be used for any such special purpose, please contact a ROHM sales representative before purchasing.

If you intend to export or ship overseas any Product or technology specified herein that may be controlled under the Foreign Exchange and the Foreign Trade Law, you will be required to obtain a license or permit under the Law.