

# KSR Series Subminiature Tact Switch for SMT

## Features/Benefits

- 4 actuation forces
- G terminations
- N.O. and N.C.
- Detect type available
- Rubber actuator
- IP50 sealed
- RoHS compliant and compatible

## Typical Applications

- Automotive
- Medical equipment
- Industrial electronics
- Smart meters



B

Tactile Switches

## Specification

FUNCTION: momentary action  
CONTACT ARRANGEMENT: Normally Open  
TERMINALS: Gullwing type for SMT

## Mechanical

Type	Operating force Newtons (grams)	Operating life (operations)	Travel (mm)
KSR211G LFS / KSR213G LFG	1,5 < 1,85 (185) < 2,2	100,000	0,25 ± 0,15
KSR221G LFS / KSR223G LFG	1,9 < 2,25 (225) < 2,6	100,000	0,3 ± 0,15
KSR231G LFS /KSR233G LFG	2,25 < 3,00 (300) < 3,75	100,000	0,35 ± 0,15
KSR251G LFS / KSR253G LFG	3,4 < 4,50 (450) < 5,6	100,000	0,5 ± 0,15
KSR221G NC LFS	1,5 < 2,25 (225) < 3	30,000	0,3 ± 0,15
KSR223G NC LFG	1,5 < 2 (200) < 2,5	30,000	0,3 ± 0,15

## Electrical

	Silver	Gold
MAXIMUM POWER:	1 VA	0.2 VA
MAXIMUM VOLTAGE:	32 VDC	32 VDC
MINIMUM VOLTAGE:	20 mV	20 mV
MAXIMUM CURRENT DC:	50 mA	10 mA
MINIMUM CURRENT DC:	1 mA	1 mA

CONTACT RESISTANCE: ≤ 100 mΩ  
INSULATION RESISTANCE: (100 V): 1G Ω (between terminals)  
BOUNCE TIME: 1 ms max.

## Environmental

	Silver	Gold
OPERATING TEMPERATURE:	-40°C to 85°C	-40°C to 125°C
STORAGE TEMPERATURE:	-55°C to 85°C	-55°C to 125°C

Overload: 20 Newtons  
Detect switch versions are available. Please see Detect chapter KSR2D/M series.

## Packaging

Switches are delivered on continuous tape, in reels of 2,500 pieces.

## Process

SOLDERING: Compatible with lead free reflow soldering process.

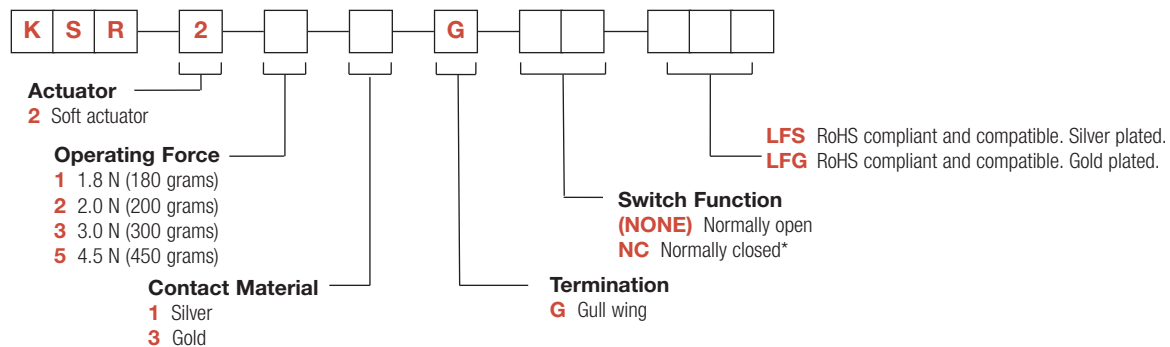
**NOTE:** Specifications listed above are for switches with standard options.  
For information on specific and custom switches, consult Customer Service Center.

## How To Order

Our easy build-a-switch concept allows you to mix and match options to create the switch you need. To order, select desired option from each category and place it in the appropriate box.

**However, please note that all the combinations of these options are not feasible.**

**For any part number different from those listed above, please consult your local representative.**



\*Available on KSR223G only.



Dimensions are shown: mm  
Specifications and dimensions subject to change

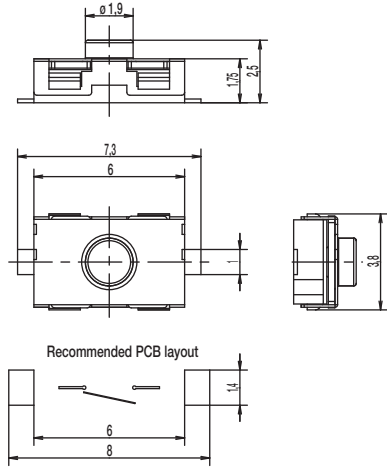
# KSR Series Subminiature Tact Switch for SMT

KSR

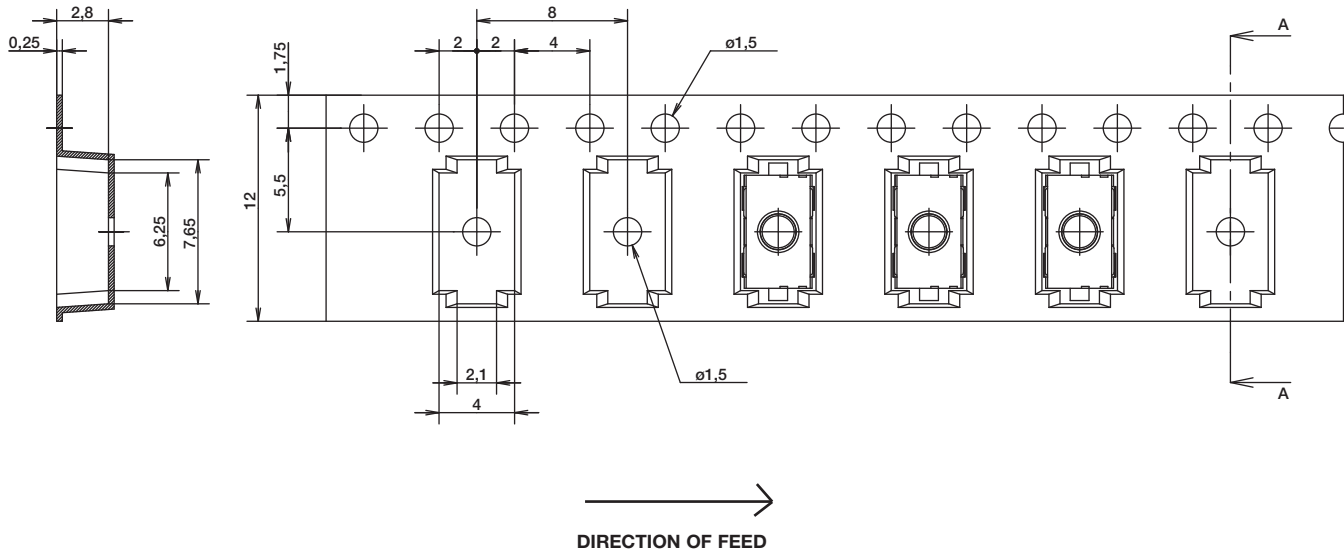


B

Tactile Switches



## TAPE & REEL



# KSR Long Life-200,000 cycles-Gold and Silver Series Subminiature Tact Switch for SMT

## Features/Benefits

- 4 actuation forces
- G terminations
- N.O.
- Detect type available
- Rubber actuator
- IP50 sealed
- RoHS compliant and compatible

## Typical Applications

- Automotive
- Medical equipment
- Industrial electronics



B

Tactile Switches

## Specification

FUNCTION: momentary action  
CONTACT ARRANGEMENT: Normally Open  
TERMINALS: Gullwing type for SMT

## Mechanical

Type	Operating force(Fa) Newtons (grams)	Operating life (operations)	Travel (mm)
<b>Silver versions</b>			
KSR212G LFS	1,5 < 1,85 (185) < 2,2	200,000	0,25 ± 0,15
KSR222G LFS	1,9 < 2,25 (225) < 2,6	200,000	0,3 ± 0,15
KSR232G LFS	2,25 < 3,00 (300) < 3,75	200,000	0,35 ± 0,15
KSR252G LFS	3,4 < 4,50 (450) < 5,6	200,000	0,5 ± 0,15
<b>Gold versions</b>			
KSR214G LFS	1,5 < 1,85 (185) < 2,2	200,000	0,25 ± 0,15
KSR224G LFS	1,9 < 2,25 (225) < 2,6	200,000	0,3 ± 0,15
KSR234G LFS	2,25 < 3,00 (300) < 3,75	200,000	0,35 ± 0,15
KSR254G LFS	3,4 < 4,50 (450) < 5,6	200,000	0,5 ± 0,15

OVERLOAD: 20 Newtons

## Packaging

Switches are delivered on continuous tape, in reels of 2,500 pieces.

## Electrical

	Silver	Gold
MAXIMUM POWER:	1 VA	0.2 VA
MAXIMUM VOLTAGE:	32 V dc	32 V dc
MINIMUM VOLTAGE:	20 m Vdc	20 m Vdc
MAXIMUM CURRENT DC:	50 mA	10 mA
MINIMUM CURRENT DC:	1 mA	1 mA

CONTACT RESISTANCE: ≤ 100 m Ω  
INSULATION RESISTANCE (100 V): 1 G Ω (between terminals)  
BOUNCE TIME: 1 ms max

## Environmental

	Silver	Gold
OPERATING TEMPERATURE:	-40°C to 85°C	-40°C to 125°C
STORAGE TEMPERATURE:	-55°C to 85°C	-55°C to 125°C

## Process

SOLDERING: Compatible with lead free reflow soldering process.

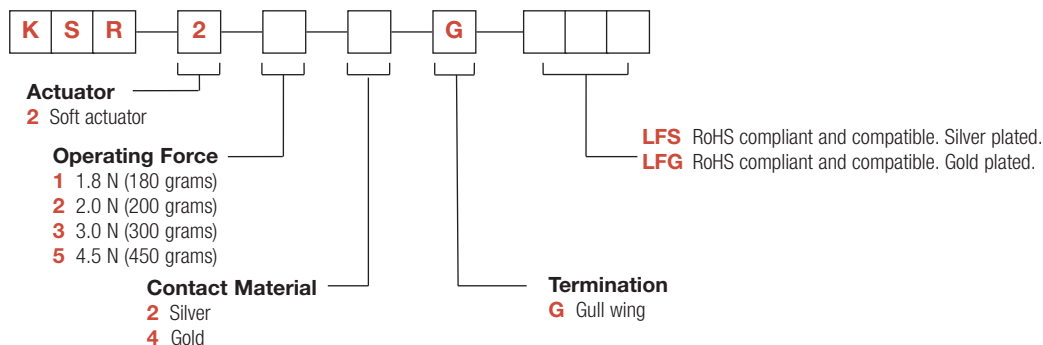
**NOTE:** Specifications listed above are for switches with standard options.  
For information on specific and custom switches, consult Customer Service Center.

## How To Order

Our easy build-a-switch concept allows you to mix and match options to create the switch you need. To order, select desired option from each category and place it in the appropriate box.

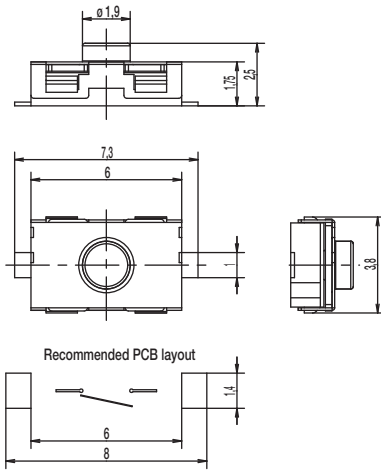
**However, please note that all the combinations of these options are not feasible.**

**For any part number different from those listed above, please consult your local representative.**



# KSR Long Life-200,000 cycles-Gold and Silver Series Subminiature Tact Switch for SMT

KSR



## TAPE & REEL

