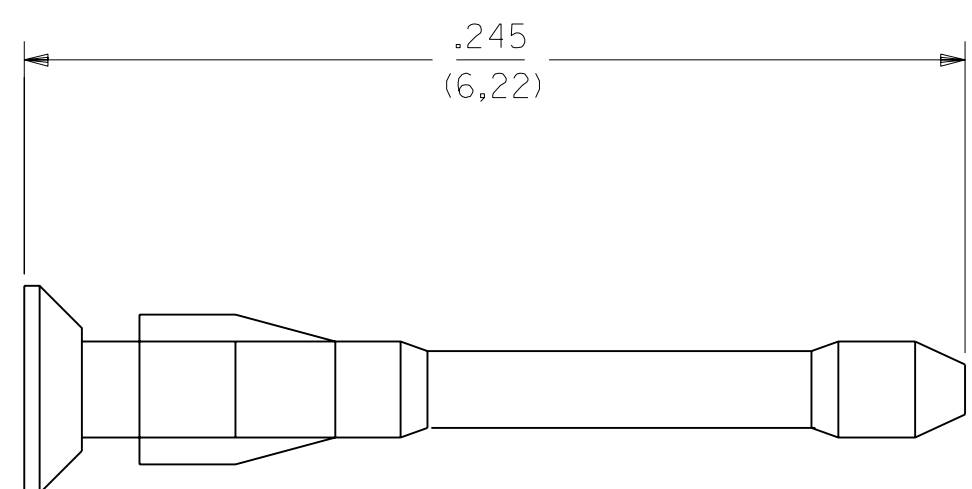


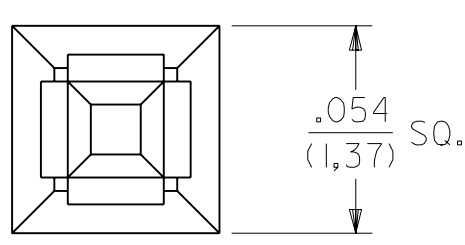
SCALE 8:1

NOTES:

1. MATERIAL: G.F. POLYESTER; UL 94V-0, COLOR: SEE CHART
2. TO BE USED WITH PRODUCT HAVING .032 - .038 SQ. PIN WINDOWS.
3. KEY IS MOLDED AS A 20-PIECE UNIT.
4. PART FUNCTIONS WITH OR WITHOUT PRESENCE OF CONTACT IN HOUSING.



SCALE 20:1



15-04-0293	WHITE
15-04-0292	BLACK
ORDER NO.	COLOR PIN MATERIAL

D	ADD TO CAD ECN UDT2001-0538 SCHAFFER 00/11/17
---	---

DIMENSIONS SHOWN (METRIC) INCH UNLESS OTHERWISE SPECIFIED TOLERANCES: ANGULAR ± 1/2°		▽ = 0	▼ = 0	REVISE ONLY ON CAD SYSTEM														
<table border="1"> <thead> <tr> <th></th> <th>INCH</th> <th>METRIC</th> </tr> </thead> <tbody> <tr> <td>3 PLACE</td> <td>± .005</td> <td>---</td> </tr> <tr> <td>2 PLACE</td> <td>± .01</td> <td>± 0,13</td> </tr> <tr> <td>1 PLACE</td> <td>---</td> <td>± 0,25</td> </tr> </tbody> </table>			INCH	METRIC	3 PLACE	± .005	---	2 PLACE	± .01	± 0,13	1 PLACE	---	± 0,25	TITLE UNIVERSAL POLARIZING PIN				
	INCH	METRIC																
3 PLACE	± .005	---																
2 PLACE	± .01	± 0,13																
1 PLACE	---	± 0,25																
DRAFT WHERE APPLICABLE MUST REMAIN WITHIN DIMENSIONS		<table border="1"> <tr> <td>MOLEX</td> <td>MOLEX INCORPORATED</td> <td>SHEET NO.</td> <td>DATE</td> </tr> <tr> <td></td> <td>LISLE, ILL. 60532</td> <td>U.S.A.</td> <td>1 OF 1 11 / 17 / 00</td> </tr> </table>			MOLEX	MOLEX INCORPORATED	SHEET NO.	DATE		LISLE, ILL. 60532	U.S.A.	1 OF 1 11 / 17 / 00						
MOLEX	MOLEX INCORPORATED	SHEET NO.	DATE															
	LISLE, ILL. 60532	U.S.A.	1 OF 1 11 / 17 / 00															
<table border="1"> <tr> <td>DRWG. BY</td> <td>JJS</td> <td>CHK'D. BY</td> <td>DJB</td> </tr> <tr> <td>APP'D. BY</td> <td>DJB</td> <td>SCALE</td> <td>20:1</td> </tr> </table>		DRWG. BY	JJS	CHK'D. BY	DJB	APP'D. BY	DJB	SCALE	20:1	<table border="1"> <tr> <td>PART NO.</td> <td>DRWG. NO.</td> </tr> <tr> <td>SEE CHART</td> <td>SD-40713-***</td> </tr> <tr> <td>FILE NAME</td> <td>THIS DRAWING CONTAINS INFORMATION THAT IS PROPRIETARY TO MOLEX INC. AND SHOULD NOT BE USED WITHOUT WRITTEN PERMISSION.</td> </tr> </table>			PART NO.	DRWG. NO.	SEE CHART	SD-40713-***	FILE NAME	THIS DRAWING CONTAINS INFORMATION THAT IS PROPRIETARY TO MOLEX INC. AND SHOULD NOT BE USED WITHOUT WRITTEN PERMISSION.
DRWG. BY	JJS	CHK'D. BY	DJB															
APP'D. BY	DJB	SCALE	20:1															
PART NO.	DRWG. NO.																	
SEE CHART	SD-40713-***																	
FILE NAME	THIS DRAWING CONTAINS INFORMATION THAT IS PROPRIETARY TO MOLEX INC. AND SHOULD NOT BE USED WITHOUT WRITTEN PERMISSION.																	
		DD	C															