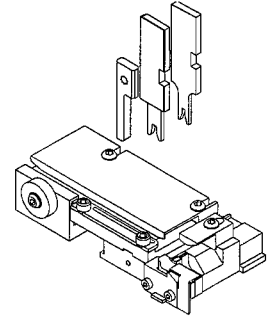




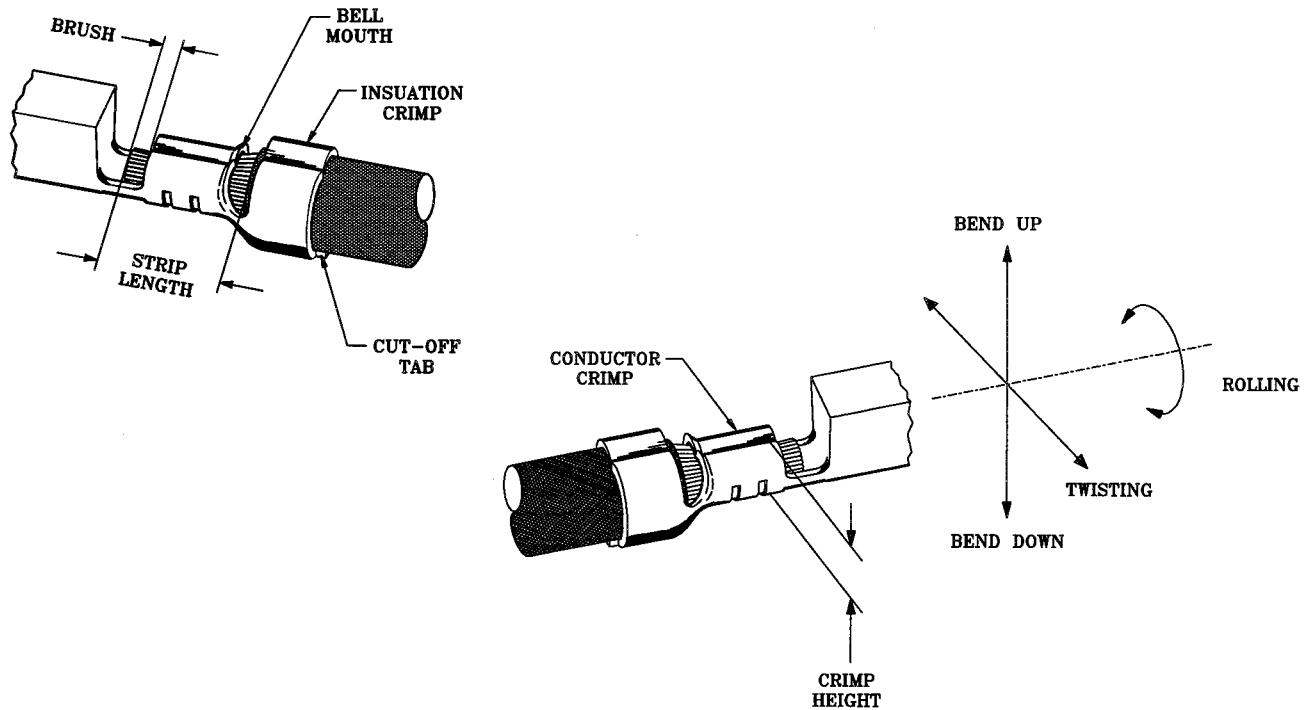
SPECIFICATION SHEET
T2 Terminator
63850-7200
REVISION A



SCOPE

Terminal Series No	Wire Size		Insulation Diameter		Strip Length	
	Awg	(mm ²)	mm	(in)	mm	(in)
50031-8*00	30-34	(0.05-0.02)	0.50-0.90	(.020-.035)	1.60-2.10	(.063-.083)

DEFINITION OF TERMS



The above terminal drawing is a generic terminal representation. It is not an image of a terminal listed in the scope

CRIMP

SPECIFICATIONS

Terminal Series No.	Bellmouth		Cut-Off Tab Max.		Conductor Brush	
	mm	(in)	mm	(in)	mm	(in)
50031-8*00	0.05-0.30	(.002-.012)	0.20	(.008)	0.00-0.70	(.000-.028)

Terminal Series No.	Bend Up	Bend Down	Twist	Roll	Punch Width mm	
	Degree	Degree	Degree	Degree	Conductor	Insulation
50031-8*00	5	4	6	8	0.80	1.20

The above conditions are guidelines to an optimum crimp.

CONDITIONS

After crimping, the conductor profile should measure the following.

Terminal Series	Wire Size		Crimp Height		Pull Force Min	
	Awg	(mm ²)	mm	(in)	N	(lbs)
50031-8*00	30	(0.05)	0.48-0.53	(.019-.021)	4.9	(1.1)
50031-8*00	32	(0.03)	0.46-0.51	(.018-.020)	2.9	(.66)
50031-8*00	34	(0.02)	0.45-0.50	(.017-.019)	1.9	(.44)

Pull Force measured with no influence from the insulation crimp

CRIMP

PARTS LIST

Item Number	Order Number	Eng Number	Description	Qty	Kit Part
1	634440802	634440802	Conductor Punch	1	Y
2	634450813	634450813	Conductor Anvil	1	Y
3	634461210	634461210	Insulation Punch	1	Y
4	634451212	634451212	Insulation Anvil	1	Y
5	634430003	634430003	Cut-Off Plunger	1	Y
6	634430012	634430012	Front Plunger Retainer	1	Y
7	11-24-1067	4996-4	Cut-Off Plunger Spring	1	
8	11-40-4039	8302-5	Front Plunger Striker	1	
9	634430021	634430021	Lower Tooling Key	1	
10	634436003	634436003	Rear Cover	1	
11	11-18-4083	60707-8	Front Cover	1	
12	634432402	634432402	Anvil Mount	1	
13	634434025	634434025	Wire Stop	1	
14	634430009	634430009	Scrap Chute	1	
15	638008500	638008500	T2 Terminator	1	
70	638507270	638507270	Tool Kit (All "Y" Items)	0	

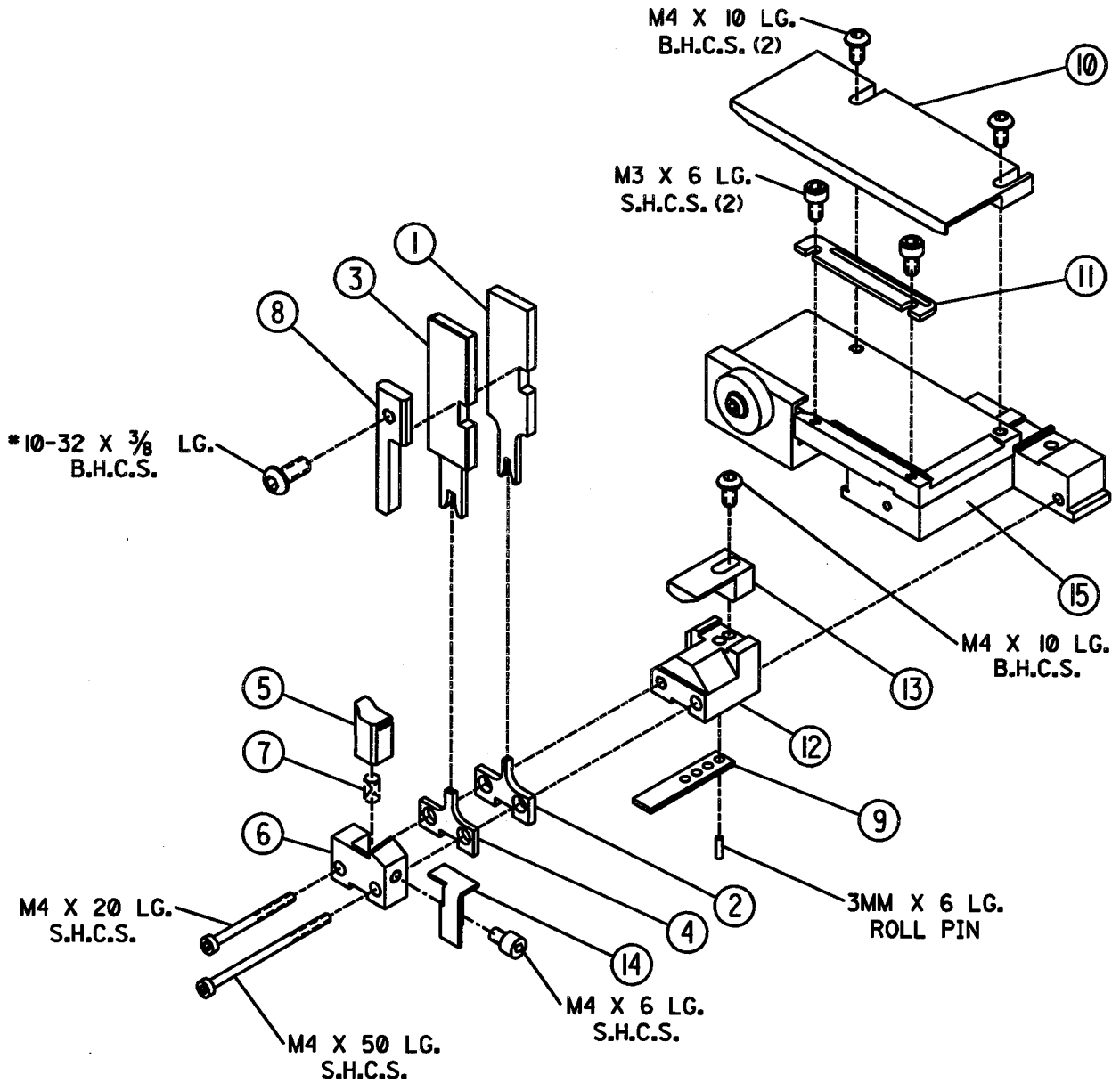
NOTES

1. We recommend an extra perishable tooling kit be maintained at your facility.
2. Verify tooling alignment by manually cycling the press and Terminator before crimping under power.
3. Slugs , Terminals, Dirt and Oil should be kept clear of work area.
4. This Terminator should only be used in a Molex TM42, TM40, or 3BF Press with a BaseUnit adaptor.
5. **** CAUTION**** To prevent injury never operate this Terminator without the guarding supplied with the TM42 , TM40, or 3BF Press / Base Unit.
6. Wear safety glasses at all times.

CRIMP

ASSEMBLY DRAWING

The drawing below is a generic drawing representation. Some detail may not be shown. The T2 Terminator assembly and parts list can be found in the T2 Terminator manual.



CRIMP

Note

Depending on the press vintage a feed finger assembly is supplied with the T2 Terminator.

1. To remove the existing feed finger assembly loosen the M4 x 10 mm set screw in the feed lever.
2. Select T2 Feed finger assembly from Terminator box