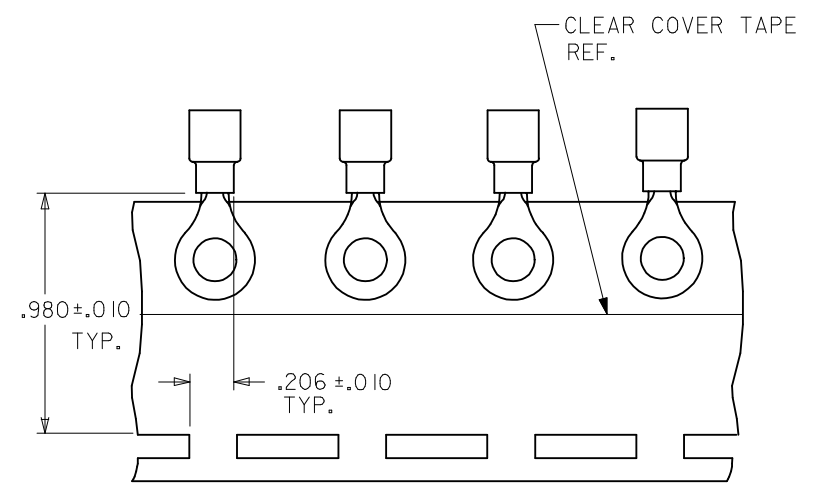
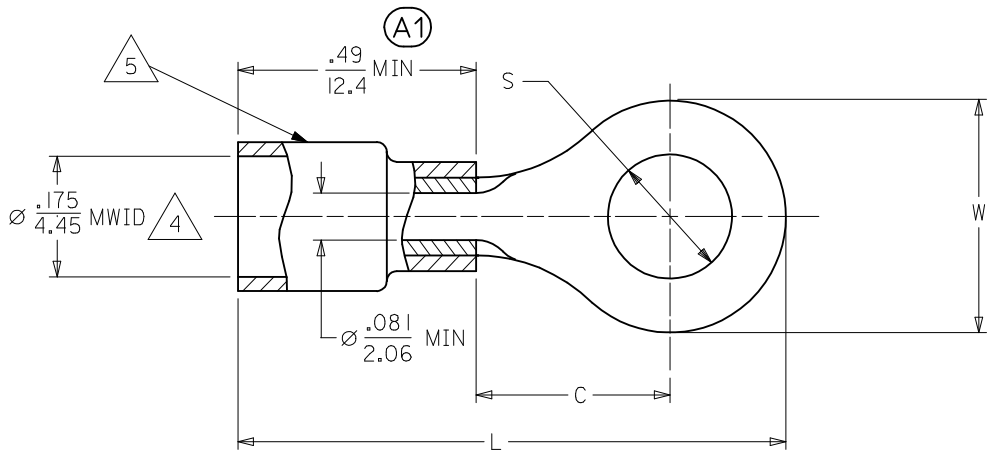


MATERIAL NUMBER	ALTERNATE NUMBER	STUD SIZE	"S"	"W"	"C" MIN	"L" MAX	PACKAGING
190700268	BB-225-14XX	1/4	.265 (6.73)	.47 (11.9)	.38 (9.7)	1.13 (28.7)	LOOSE PIECE
190700269	BB-225-56XX	5/16	.328 (8.33)	.47 (11.9)	.38 (9.7)	1.13 (28.7)	
190700270	BB-237-06XX	6	.146 (3.70)	.32 (8.1)	.29 (7.4)	.96 (24.4)	
190700285	BB-237-08XX	8	.173 (4.39)	.32 (8.1)	.29 (7.4)	.96 (24.4)	
190700322	BB-237-10XX	10	.198 (5.03)	.32 (8.1)	.29 (7.4)	.96 (24.4)	
190700271	BB-239-08XX	8	.173 (4.39)	.34 (8.6)	.31 (7.9)	1.01 (25.6)	
190700105	BB-239-10XX	10	.198 (5.03)	.34 (8.6)	.31 (7.9)	1.01 (25.6)	TAPE MOUNTED
190700077	BB-225-14XXT	1/4	.265 (6.73)	.47 (11.9)	.38 (9.7)	1.13 (28.7)	
190700080	BB-225-56XXT	5/16	.328 (8.33)	.47 (11.9)	.38 (9.7)	1.13 (28.7)	
190700085	BB-237-06XXT	6	.146 (3.70)	.32 (8.1)	.29 (7.4)	.96 (24.4)	
190700089	BB-237-08XXT	8	.173 (4.39)	.32 (8.1)	.29 (7.4)	.96 (24.4)	
190700093	BB-237-10XXT	10	.198 (5.03)	.32 (8.1)	.29 (7.4)	.96 (24.4)	
190700101	BB-239-08XXT	8	.173 (4.39)	.34 (8.6)	.31 (7.9)	1.01 (25.6)	
190700106	BB-239-10XXT	10	.198 (5.03)	.34 (8.6)	.31 (7.9)	1.01 (25.6)	



PARTS ON TAPE



- NOTES:
 1. MATERIAL: 1/4 HARD COPPER
 2. PLATING: ELECTRO-TIN.
 3. ALL DIMENSIONS IN INCHES/(MM).
 4. MWID = MAXIMUM WIRE INSULATION DIAMETER.
 5. INSULATION: PVC (BLUE)
 6. PARTS ARE ROHS COMPLIANT

CHANGED MAX TO MIN
 EC NO: ICG2013-0981
 DRWNG: GROSAS01 2012/12/20
 CHKD: JMCNEIL 2013/01/02
 APPR: JMCNEIL 2013/01/31

QUALITY SYMBOLS
 ▽=0
 ▽=0
 A1
 REV

GENERAL TOLERANCES (UNLESS SPECIFIED)	
mm	INCH
4 PLACES ± ---	± ---
3 PLACES ± ---	± .005
2 PLACES ± 0.13	± .01
1 PLACE ± 0.25	± ---
0 PLACE ± ---	± ---

ANGULAR ± 1/2°
 DRAFT WHERE APPLICABLE MUST REMAIN WITHIN DIMENSIONS

DIMENSION STYLE	
IN/MM	
DRAWN BY	DATE
HEB	2000/09/06
CHECKED BY	DATE
RWD	2000/09/06
APPROVED BY	DATE
	2013/01/31

MATERIAL NO. SEE CHART
 SIZE B

SCALE	DESIGN UNITS	THIRD ANGLE PROJECTION
---	INCH	☉

TITLE
 RING TONGUE TERMINAL
 16-14 AWG
 INSULKRIMP EXPANDED

molex

DOCUMENT NO. (A1) SD-19070-004
 SHEET NO. 1 OF 1

THIS DRAWING CONTAINS INFORMATION THAT IS PROPRIETARY TO MOLEX INCORPORATED AND SHOULD NOT BE USED WITHOUT WRITTEN PERMISSION