

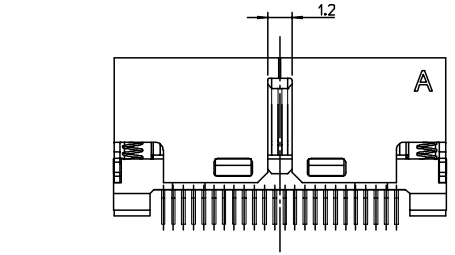
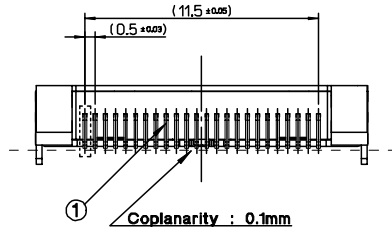
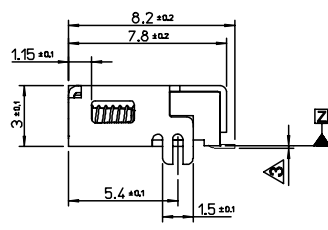
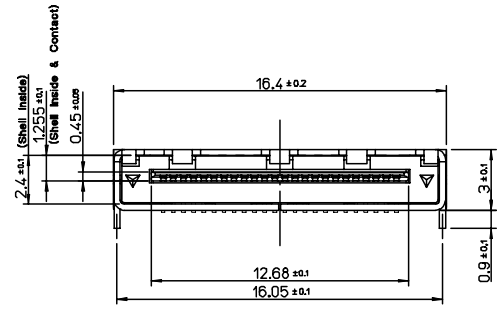
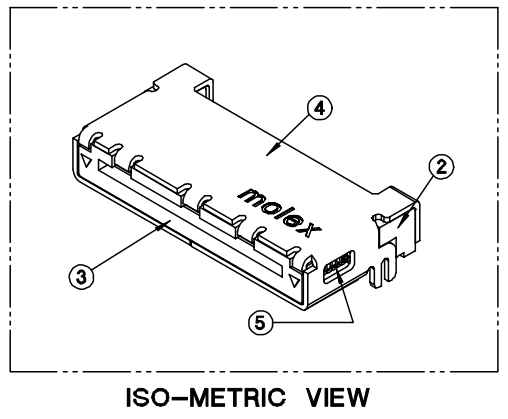
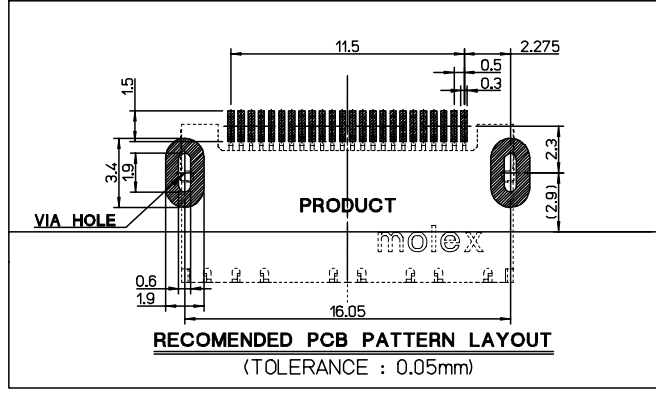
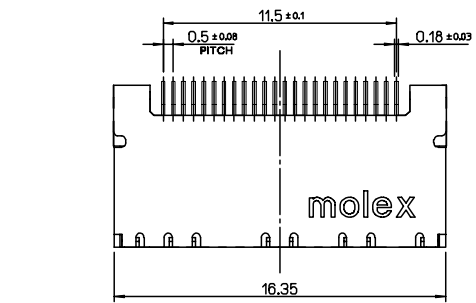
DWG. NO. SD-49045-001

SIMILAR ITEM

PROJECT NO.

B

DO NOT SCALE DRAWING DIMENSION IN METRIC



NOTES

1. MATERIALS: SEE TABLE 2
2. FINISHES: SEE TABLE 2
3. ALIGNMENT OF SOLDER TAILS FROM Z: UPPER DIRECTION 0.05 MAX. LOWER DIRECTION 0.1 MAX.
4. COPLANARITY OF SOLDER TAILS : 0.1mm MAX.
5. PRODUCT SPECIFICATION : PS-49045-001
6. PACKAGING SPECIFICATION : PK-49045-001

TABLE 1

SILVER	490450016	49045-0016
BLACK	490450011	49045-0011
COLOR	MATERIAL NO.	ENGINEERING NO.

TABLE 2

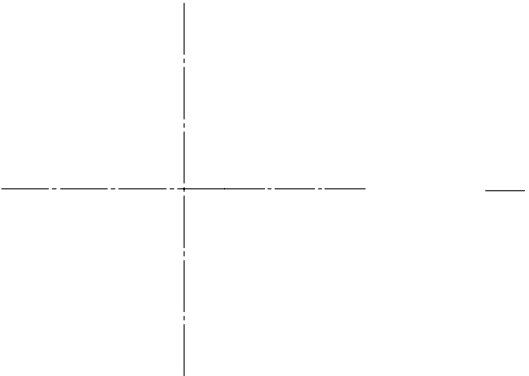
5	SPRING	STAINLESS STEEL	NONE
4	METAL SHELL	STAINLESS STEEL	NICKEL
3	SHUTTER	POLY AMIDE UL94V-0	BLACK / NATURAL
2	HOUSING	POLY AMIDE UL94V-0	BLACK COLOR
1	CONTACT TERMINAL	COPPER ALLOY	SELECTIVE GOLD
NO.	DESCRIPTION	MATERIAL	FINISH

REVISED	ECN NO. KOR2007-0007 DRWN: E.S.JUNG 06/07/24 CHK: S.H.JOO APPR: S.J.SEH	DESCRIPTION	QUALITY SYMBOLS MAJOR CRITICAL	GENERAL TOLERANCES: (UNLESS SPECIFIED)		SCALE	DESIGN UNITS	DIMENSIONS:		SHT	REV						
				4 PLACES	±0	±	4 : 1	mm	THIRD ANGLE PROJECTION	mm	INCH	mm	INCH	mm	INCH	mm	INCH
C		REV	DESCRIPTION	ANGULAR: ± 3 °		DRAWN BY & DATE E.S.JUNG 05/07/19		TITLE: 0.5 SHUTTER I/O CONN. 24P RECEPTACLE (WITHOUT BATTERY)		REVISE ON CAD ONLY							
				DRAFT WHERE APPLICABLE MUST REMAIN WITHIN DIMENSIONS		CHECKED BY & DATE S.H.JOO		APPROVED BY & DATE S.J.SEH		MATERIAL NO. SEE TABLE 1		DRAWING NO. SD-49045-001		SHEET NO. 1 OF 2			
THIS DRAWING CONTAINS INFORMATION THAT IS PROPRIETARY TO MOLEX INCORPORATED AND SHOULD NOT BE USED WITHOUT WRITTEN PERMISSION.						CAD FILENAME SD49045001.MI		MATERIAL NO. SEE TABLE 1		DRAWING NO. SD-49045-001		SHEET NO. 1 OF 2					

MOLEX INCORPORATED

!

!



!

!



!