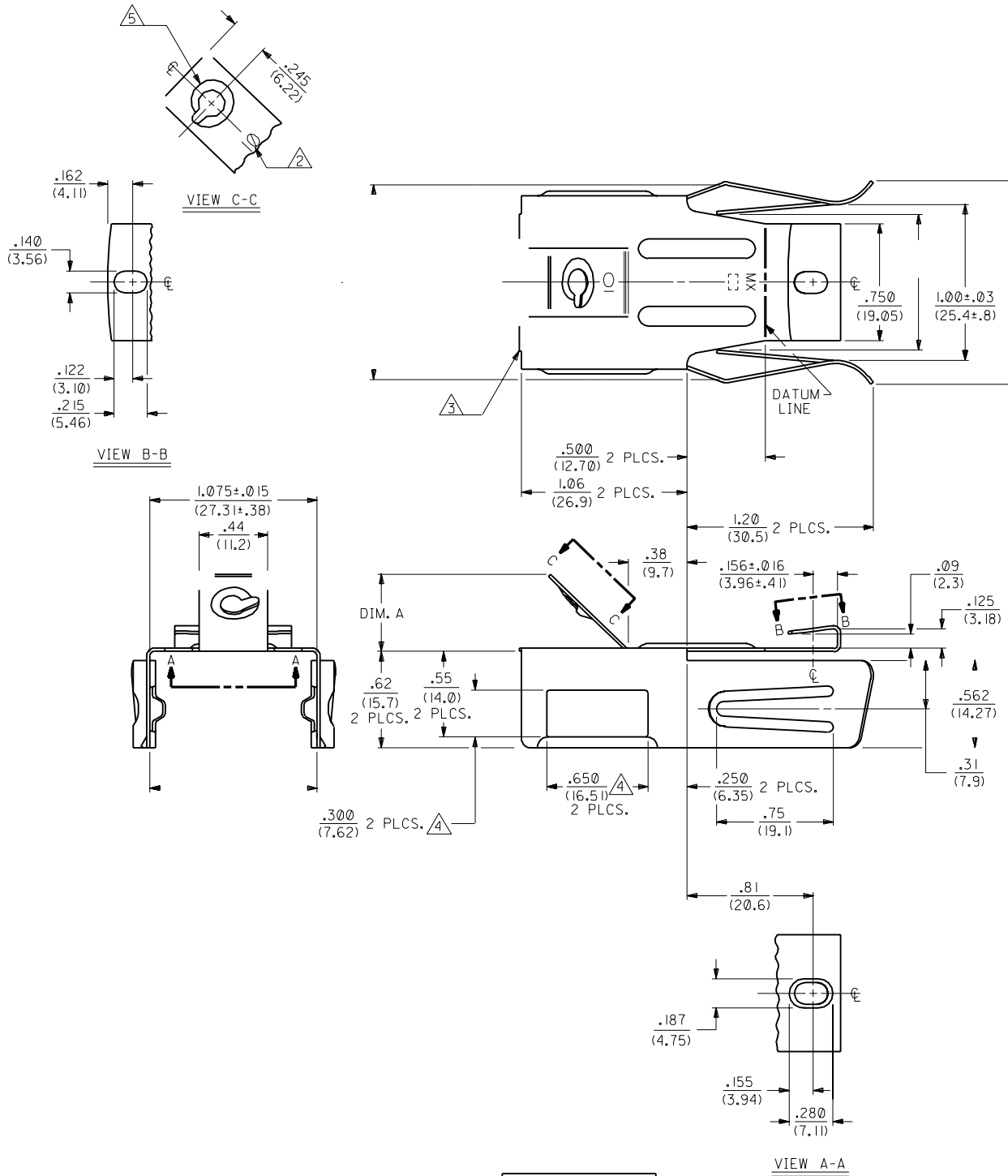


NOTES:

- I. THESE MOUNTING CLIPS ARE FOR HOLDING THE 2481 SERIES HOUSINGS TO THE MAIN PANEL TOPS OF ELECTRIC RANGES.
- ② SCREW SIZE INDICATION.
- ③ .015/(.38) MAXIMUM CUT OFF.
- ④ .010/(.25) MAXIMUM MISMATCH.
- ⑤ THREAD FORM FOR A #10-32 SCREW.



2589-ID-10

MATERIAL:

STEEL, STAINLESS, TYPE 301, .020/(.51) THICK.

REVISED  
ECN 03 0739  
5/13/93 RHR  
REDRAWN & REDIM.  
ECN 02 1712  
11/25/92 RHR

3  
2  
1

× 5°  
0 0  
MOUNTING CLIP  
--- 0.10  
--- 0.14  
--- 0.25  
--- 0.35

