

PLEASE CHECK WWW.MOLEX.COM FOR LATEST PART INFORMATION

Part Number: [0622018676](#)
Status: **Active**
Description: Press-In Tool for Backplane Module

Documents:

[RoHS Certificate of Compliance \(PDF\)](#)

General

Product Family	Application Tooling
Series	T9999
Comments	See Tooling Specification (PDF) Above
Function	Insertion
Geographic Area	Global
Level of Automation	Manual
More Detailed Tech Information	applicationtooling@molex.com
Product Name	PremiumGrade™
Survey	www.molex.com//review/apptool_survey.html
Tool Type	Handtool
UPC	883906297190
Warranty Disclaimer	CAUTION: Molex tooling crimp specifications are valid only when used with Molex terminals and tooling manufactured by Molex and sold by Molex or authorized distributors ("Molex Tooling"). When using tooling other than Molex Tooling with Molex specific connector systems listed in our ATS documents, the Molex tooling qualification does not apply and the responsibility for full qualification of the connector system is that of the customer. Molex accepts no liability for connector performance or tooling support where tooling other than Molex Tooling is used or where Molex Tooling is modified.

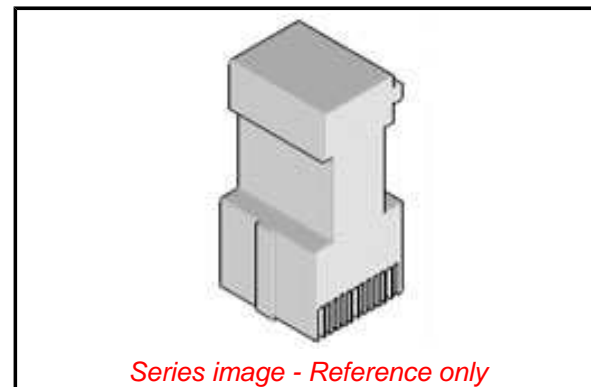
Physical

Net Weight 116.320/g

Material Info

Reference - Drawing Numbers

Application Tooling Documents [ATS-622018676](#), [TM-622018799](#)



Series image - Reference only

EU ELV

Not Relevant

EU RoHS

Not Relevant

REACH SVHC

Not Relevant

Halogen-Free

Status

Not Relevant

Need more information on product environmental compliance?

Email productcompliance@molex.com
Please visit the [Contact Us](#) section for any non-product compliance questions.

China ROHS
ELV

China RoHS

Not Relevant
Not Relevant

Search Parts in this Series

[T9999 Series](#)

Use With

Impact™ Vertical Header [76055](#)