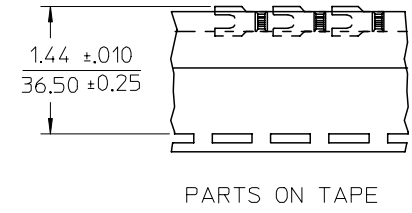
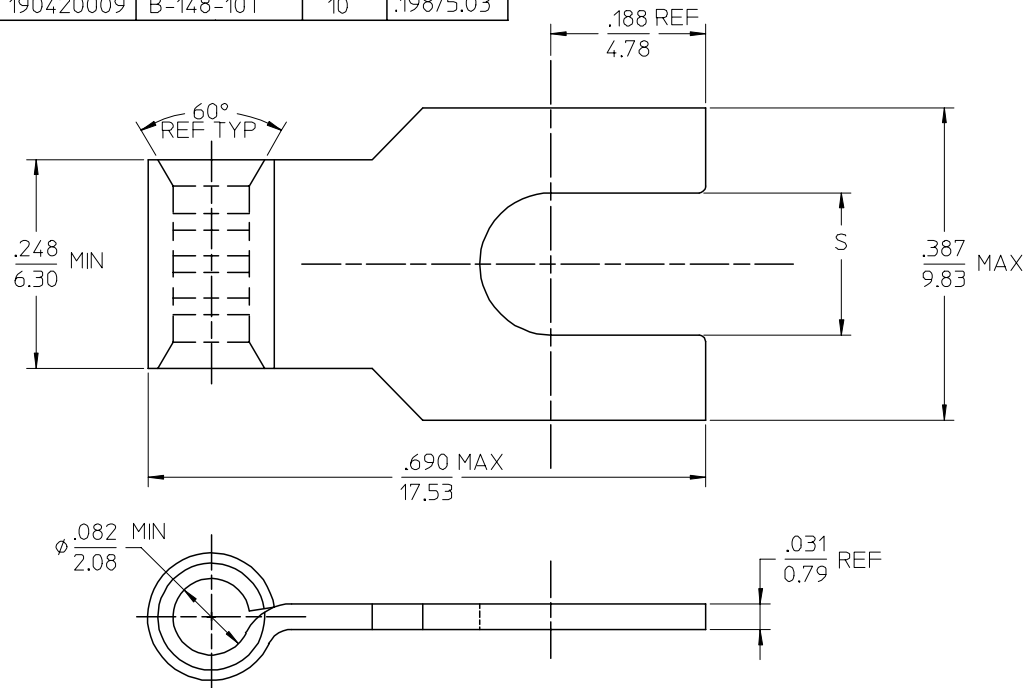


| MATERIAL NUMBER | ENGINEERING NUMBER | TAPE MATERIAL NUMBER | TAPE ENGINEERING NUMBER | STUD SIZE | S ±.005/0.13 |
|-----------------|--------------------|----------------------|-------------------------|-----------|-----------------|
| 190420004 | B-148-06 | 190420005 | B-148-06T | 06 | .146/3.71 |
| 190420006 | B-148-08 | 190420007 | B-148-08T | 08 | .173/4.39 |
| 190420008 | B-148-10 | 190420009 | B-148-10T | 10 | .198/5.03 |



SALES DRAWING

- NOTES:
- MATERIAL: COPPER
PLATING ELECTRO TIN.

| | | | | | | | | | | |
|--|-----------------------|---|---|---|---|--------------|----------------------|------------------------|--|--|
| NEW RELEASE EC NO: ETC2005-0122 DRW: BENDERLE 2005/02/15 CHKDR: DEROSS 2005/02/15 APPR: RDEROSS 2005/02/15 | DESCRIPTION REV: A | QUALITY SYMBOLS ▽=0 ▽=0 | GENERAL TOLERANCES (UNLESS SPECIFIED) | | DIMENSION STYLE IN/MM | SCALE 4:1 | DESIGN UNITS INCH | THIRD ANGLE PROJECTION | | |
| | | 4 PLACES ± --- ± --- 3 PLACES ± --- ± --- 2 PLACES ± --- ± --- 1 PLACE ± --- ± --- | mm INCH | DRAWN BY DATE BENDERLE 2005/02/01 | TITLE FLAG SPADE TONGUE TERMINAL KRIMPTITE 16-14 AWG | | | | | |
| | | ANGULAR ± ---° | DRAFT WHERE APPLICABLE MUST REMAIN WITHIN DIMENSIONS | CHECKED BY DATE RDEROSS 2005/02/01 | APPROVED BY DATE RDEROSS 2005/02/01 | | | | | |
| | | MATERIAL NO. SEE CHART | DOCUMENT NO. SD-19042-001 | MOLEX INCORPORATED | | | | | | |
| | | SIZE B | THIS DRAWING CONTAINS INFORMATION THAT IS PROPRIETARY TO MOLEX INCORPORATED AND SHOULD NOT BE USED WITHOUT WRITTEN PERMISSION | | | | | | | |