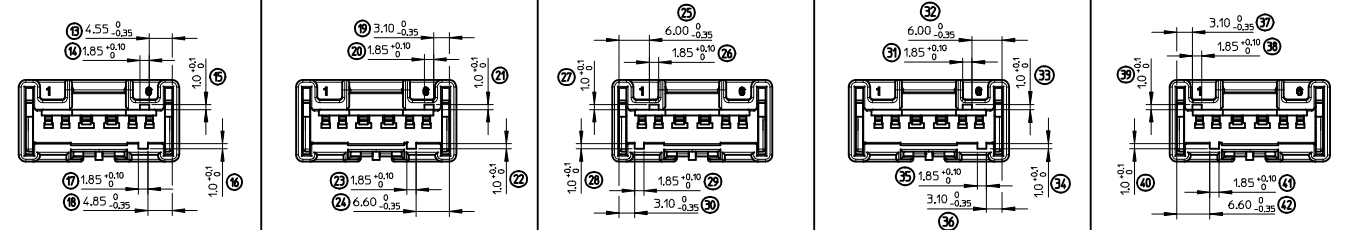


CODING

FRONT VIEW
2:1

Material number
Assy product

COLOR

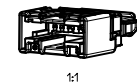
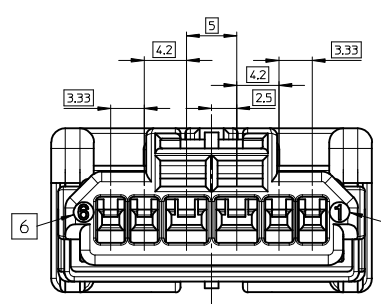
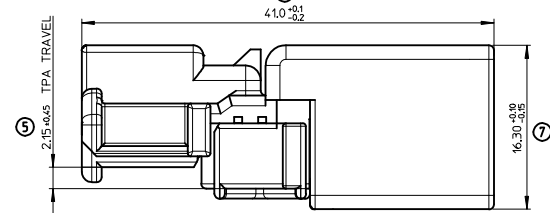
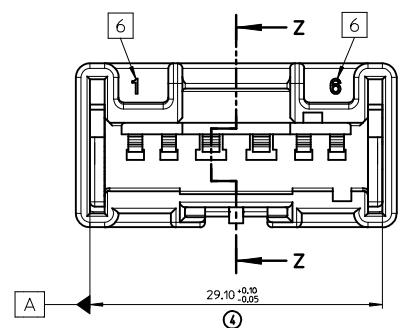
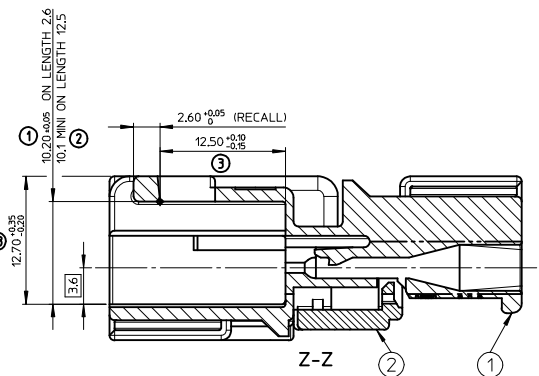


0988251069 0988251065 0988251068 0988251061 0988251060

BROWN GREEN GREY BLACK WHITE

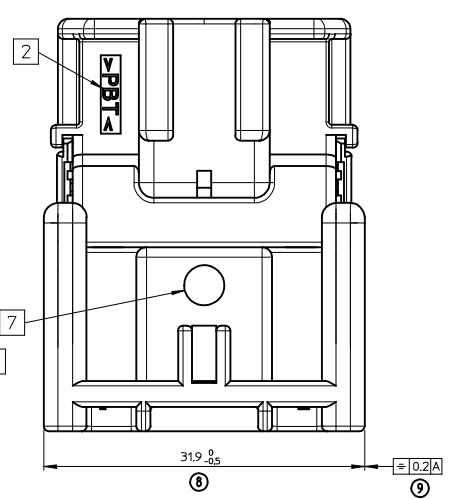
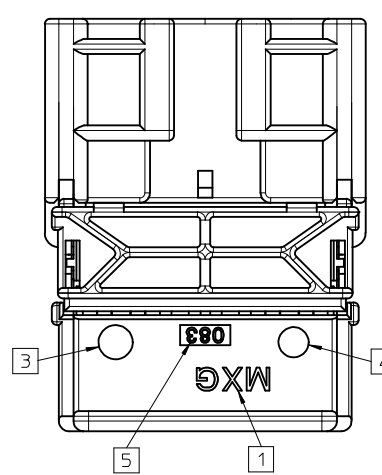
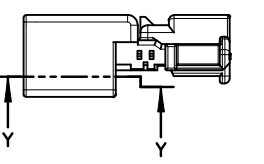
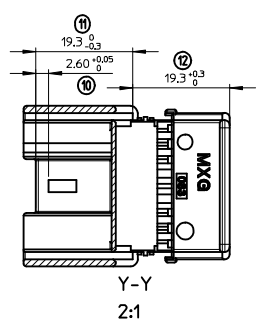
MODIFICATIONS

REV.	DESCRIPTIONS	NAME	DATE
A	RELEASED	PBO	07/10/19
B	BROWN, GREEN, GREY AND WHITE CODINGS : UPDATE DIMENSIONS (VALUE *2) BECAUSE ERROR WITH SCALE VIEWS (DIMENSIONS ARE FOLLOWED SCALE VIEWS FROM 4 TO 2)	PBO	15/08/31



1:1

WITHOUT TPA



- NOTES :
- 1 - USE 1.5 MALE TERMINALS SICMA
 - 2 - USE 2.8 MALE TERMINALS SICMA
 - 3 - MATES WITH 098821106X
 - 4 - APPLICATION SPECIFICATION : AS-98821-001
 - 5 - MATERIALS : SEE CHART, INFLAMMABILITY LEVEL UL94-HB

7	DATUM YEAR AND MONTH
6	CAVITY IDENTIFICATION
5	MOLEX MATERIAL NUMBER
4	PART REVISION LEVEL
3	STAMP IDENTIFICATION
2	MATERIAL CODE
1	ENGINEERING CONTROL ID
ID.	MARKING

ID.	QTY	DESIGNATION	Material Number of each component	COLOR	MATERIAL
2	1	PIN CONN TPA HYBRID 6CKT	0988250166	BLUE	PA6.6-GF20
			0988250060	WHITE	
1	1	PIN CONN HYBRID UNSEALED 6CKT	0988250061	BLACK	PBT
			0988250065	GREEN	
			0988250068	GREY	
			0988250069	BROWN	

REVISED EC NO: G2016-0019 2015/08/31 DRAWN BY: PBO 2015/09/01 CHKD BY: PBO 2015/10/05 APPROVED BY: PBO	QUALITY SYMBOL ✓ ✓ ✓ ✓	GENERAL TOLERANCES (UNLESS SPECIFIED)	DIMENSION STYLE	SCALE	DESIGN UNITS	FIRST ANGLE PROJECTION
		4 PLACES ± --- ± --- 3 PLACES ± --- ± --- 2 PLACES ± 0.05 ± --- 1 PLACE ± 0.1 ± --- 0 PLACE ± ±	MM ONLY	4:1	METRIC	☑
DRAWN BY: PBO 2007/10/19		DATE		TITLE		NSCC PIN CONN HYBRID UNSEALED 6CKT
CHECKED BY: JDU 2007/10/19		DATE		DATE		
APPROVED BY: LST 2007/10/19		DATE		DATE		molex
MATERIAL NO.		DATE		DATE		
ANGULAR ± 2°		SEE CHART		DOCUMENT NO.		SD-98825-002
DRAFT WHERE APPLICABLE MUST REMAIN WITHIN DIMENSIONS		THIS DRAWING CONTAINS INFORMATION THAT IS PROPRIETARY TO MOLEX INCORPORATED AND SHOULD NOT BE USED WITHOUT WRITTEN PERMISSION		SHEET NO.		
				1 OF 1		

CODING SHOWN : 0988251061 BLACK