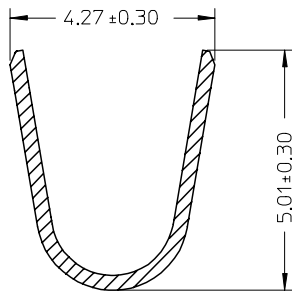
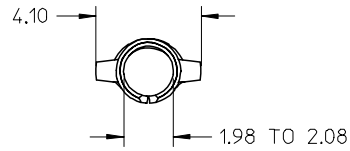


36664

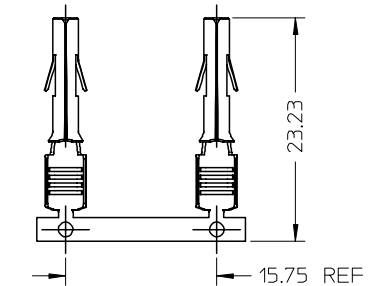
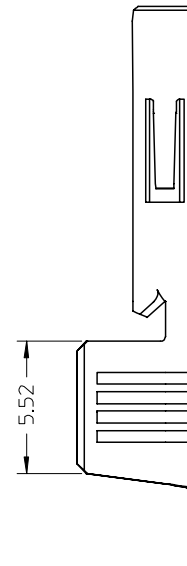
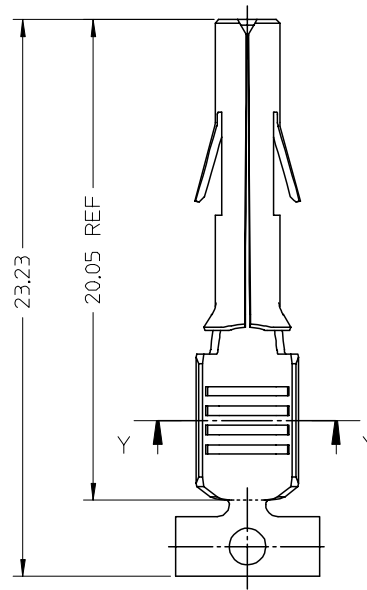
MATERIAL No.	FINISH	WIRE SIZE	INSULATION DIA	PACKAGING
36664-0001	SEE NOTE 2	10-12AWG	5.08 MAX	REEL
36664-0002	SEE NOTE 2	10-12AWG	5.08 MAX	LOOSE

NOTE:

- MATERIAL : BRASS
- FINISH : HOT TIN DIP, THICKNESS 0.51 MICROMETER MIN
- SOCKET TERMINALS FOR USE WITH THE .084/(2.13) SERIES HOUSINGS  
PLUG (42021-\*\*)   
CAP (42022-\*\*)   
SOCKET TERMINAL TO MATE WITH PIN TERMINALS OF .084/(2.13) DIA SERIES
- CRIMP RANGE : SEE CHART
- PRODUCT SPECIFICATION : PS-36663-001 APPLIES



SECTION Y  
(SCALE 10:1)



TERMINALS IN CHAIN FORM  
(SCALE 1:1)

EC NO: 12005-0004 DRWN: SSUDHIR 2004/07/07 CHKD: DGDATHA 2004/07/07 APPR: DGDATHA 2004/07/08	QUALITY SYMBOLS ▽ = 0 ▽ = 0	GENERAL TOLERANCES (UNLESS SPECIFIED)		SCALE 5:1	DESIGN UNITS METRIC	THIRD ANGLE PROJECTION	REVISE ON CAD ONLY		
			mm	INCH	DIMENSION STYLE MM ONLY		TITLE STAMP PART BRASS TERMINAL SOCKET MLX 10-12AWG 5.08 INS DIA		
		4 PLACES	± ---	± ---	DRAWN BY SSUDHIR	DATE 2004/07/01	MOLEX INCORPORATED		
		3 PLACES	± ---	± ---	CHECKED BY DGDATHA	DATE 2004/07/01			
2 PLACES	± 0.25	± ---	ANGULAR ± 2 °		APPROVED BY DGDATHA	DATE 2004/07/01	MATERIAL NO. SEE CHART	DOCUMENT NO. SD-36664-001	SHEET NO. 1 OF 1
1 PLACE	± 0.38	± ---	DRAFT WHERE APPLICABLE MUST REMAIN WITHIN DIMENSIONS		THIS DRAWING CONTAINS INFORMATION THAT IS PROPRIETARY TO MOLEX INCORPORATED AND SHOULD NOT BE USED WITHOUT WRITTEN PERMISSION				