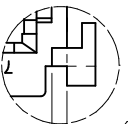


| CKT. SIZE | ENG. NO. | EDP. NO. | DIM. 'A' REF. | DIM. 'B' |
|-----------|----------|------------|------------------|------------------|
| 2 | 30068-2 | 15-97-6021 | ---- | .467 (11.86) |
| 4 | 30068-4 | 15-97-6041 | .165 (4.20) | .467 (11.86) |
| 6 | 30068-6 | 15-97-6061 | .331 (8.40) | .633 (16.08) |
| 8 | 30068-8 | 15-97-6081 | .496 (12.60) | .798 (20.27) |
| 10 | 30068-10 | 15-97-6101 | .661 (16.80) | .963 (24.46) |
| 14 | 30068-14 | NOT TOOLED | .992 (25.20) | 1.294 (32.87) |
| 16 | 30068-16 | 15-97-6161 | 1.157 (29.40) | 1.459 (37.06) |

SEE SHT. 2 FOR 18 THRU 24 CKT'S.

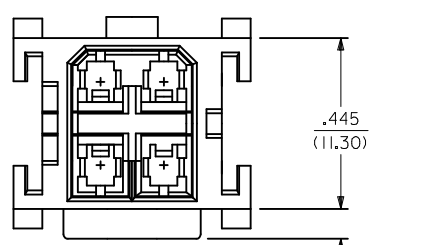
LEGEND:

30068 - *
CIRCUIT SIZE (2-24)



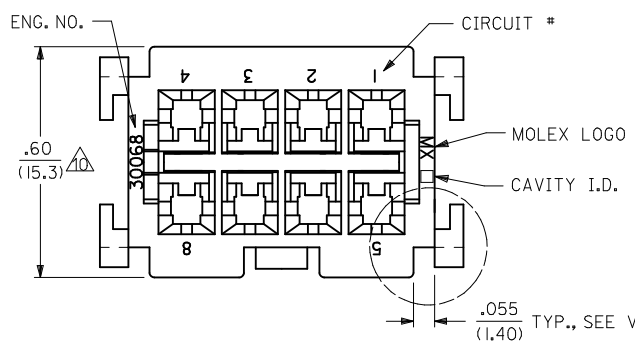
.04 (1.0) ON 6 & 16 CKT. PARTS ONLY.

VIEW 'A'

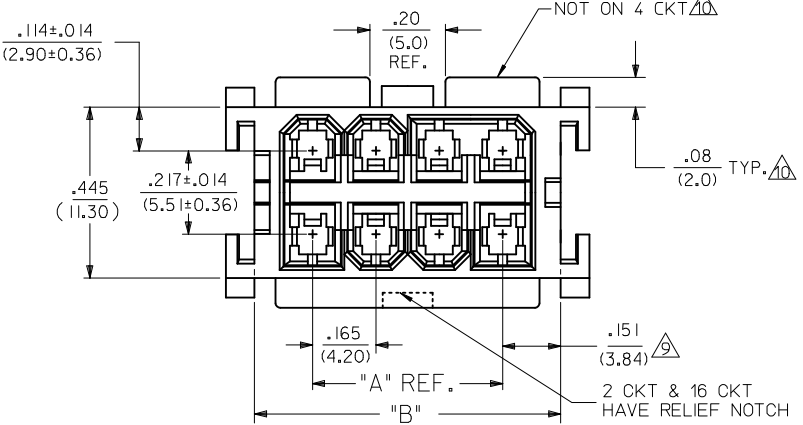
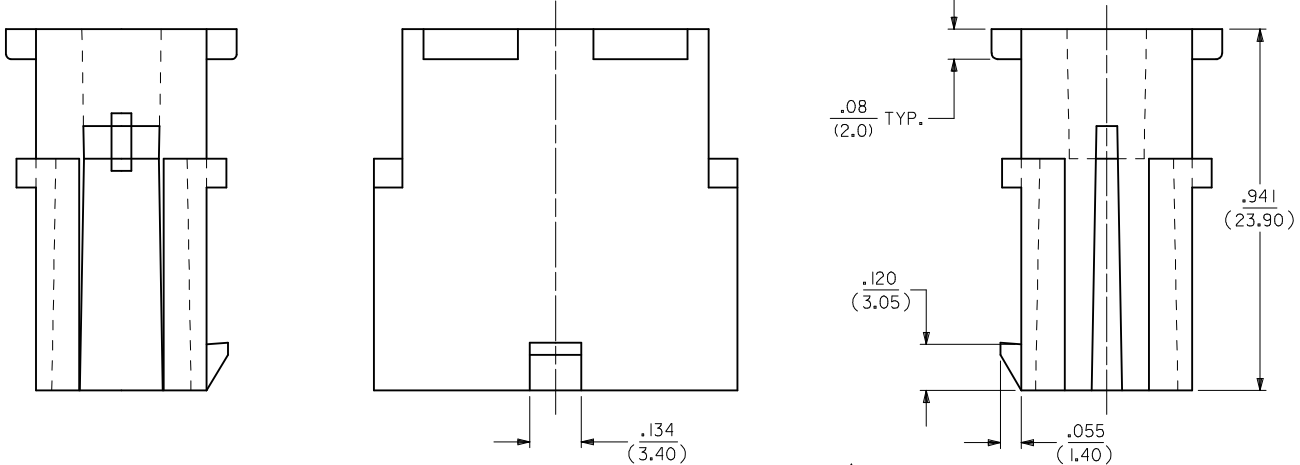


4 CIRCUIT VERSION

SEE SHT. #3 FOR PARTS WITH MOUNTING EARS



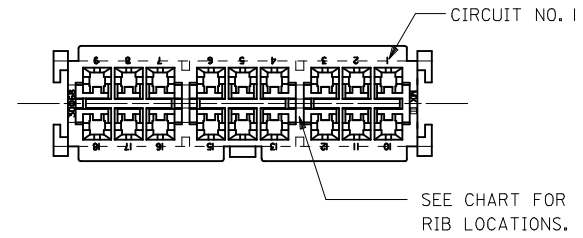
- NOTES:**
- MATERIAL: UNFILLED POLYESTER, U.L. 94V-0; COLOR: BLACK
 - FINISH: N/A
 - PRODUCT SPECIFICATION: PS-5556-003
 - PACKAGING: BULK
 - HOUSING TO BE USED WITH TERMINAL #5558.
 - HOUSING MATES WITH RECEPTACLE #30067
 - 2 THRU 10 AND 14 THRU 24 CKT. HOUSING TO BE USED WITH T.P.A. NO. 30072-*
 - PART CONFORMS TO CLASS 'B' REQUIREMENTS OF COSMETIC SPECIFICATION PS-45499-002.
 - .15/3.84 DIMENSION IS .234/5.94 ON 2 CKT PARTS.
 - SEE 4 CKT VIEW FOR 4 CKT PARTS



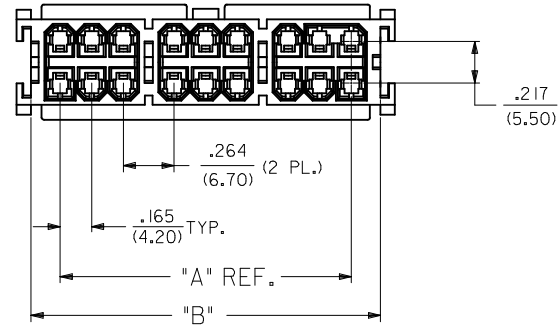
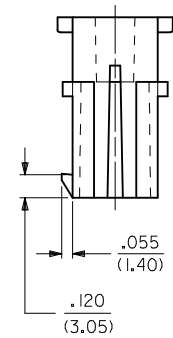
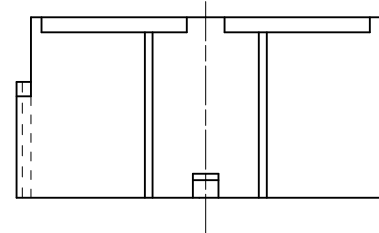
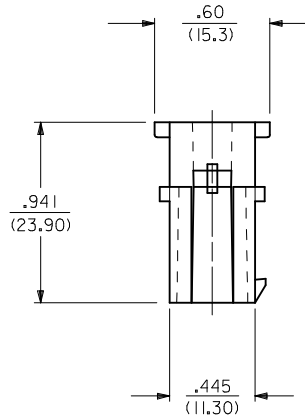
| | | | | | | | | |
|--|---|--|--|---|--|---|------------------------|---------------------------|
| ADD NOTES 9 & 10 EC NO: UCP2013-3729 DRW: NGUYEN 2013/03/25 CHKD: BELL 2013/03/25 APPR: FSMITH 2013/04/25 | QUALITY SYMBOLS ▽=0 ▽=0 ▽=0 | GENERAL TOLERANCES (UNLESS SPECIFIED) | | DIMENSION STYLE IN/MM | | SCALE 4:1 | DESIGN UNITS METRIC | THIRD ANGLE PROJECTION |
| | | 4 PLACES ± --- ± --- 3 PLACES ± --- ± .010 2 PLACES ± 0.25 ± .014 1 PLACE ± 0.36 ± --- 0 PLACE ± ± | mm INCH DRAWN BY DATE DMF 1989/10/26 CHECKED BY DATE TGP 1989/10/26 APPROVED BY DATE FSMITH 2011/08/25 | TITLE MINI FIT TPA PLUG HSG 2 THRU 24 CIRCUITS WITH OR W/O MTG EARS | | molex | | MATERIAL NO. SEE CHART |
| REVISION R5 | | DRAFT WHERE APPLICABLE MUST REMAIN WITHIN DIMENSIONS | | ANGULAR ±1/2° | | THIS DRAWING CONTAINS INFORMATION THAT IS PROPRIETARY TO MOLEX INCORPORATED AND SHOULD NOT BE USED WITHOUT WRITTEN PERMISSION | | |

| CKT. NO. | ENG. NO. | PART NO. | DIM. A' | DIM. B' | RIBS LOCATED BETWEEN CKT'S. |
|----------|----------|------------|------------------|------------------|-----------------------------|
| 18 | 30068-18 | NOT TOOLED | 1.520 (38.60) | 1.822 (46.28) | 3,4 & 6,7 |
| 20 | 30068-20 | NOT TOOLED | 1.685 (42.80) | 1.987 (50.46) | 3,4 & 7,8 |
| 22 | 30068-22 | NOT TOOLED | 1.850 (47.00) | 2.152 (54.66) | 4,5 & 7,8 |
| 24 | 30068-24 | NOT TOOLED | 2.016 (51.20) | 2.318 (58.88) | 4,5 & 8,9 |

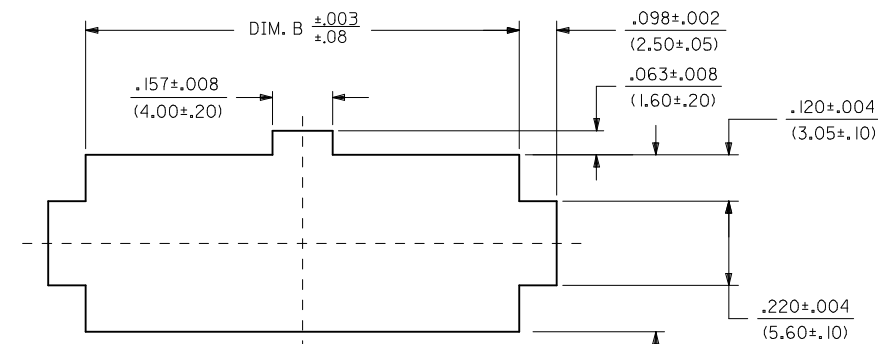
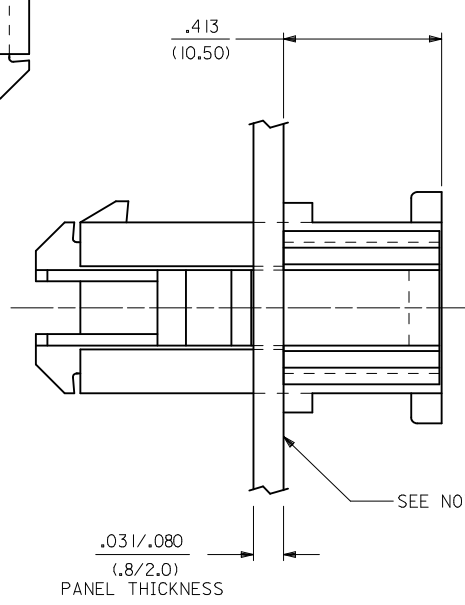
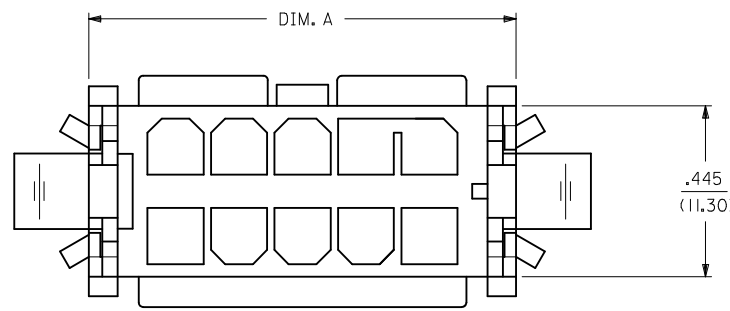
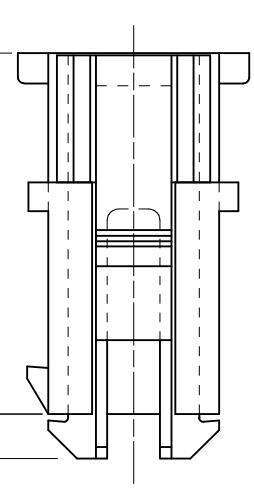
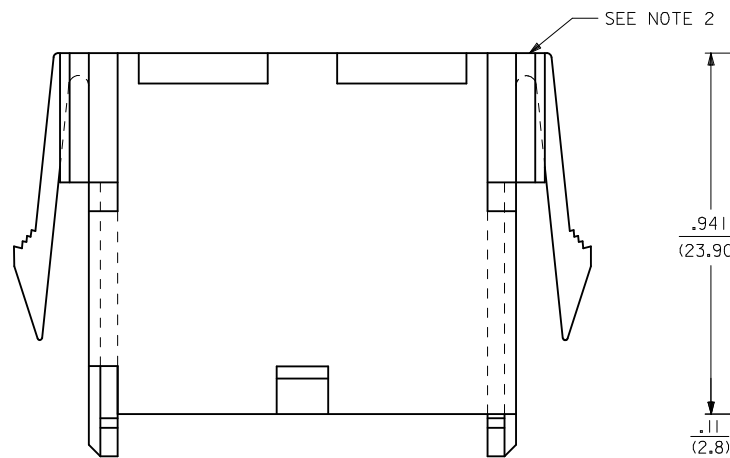
SEE SHT. 1 FOR 2 THRU 16 CKT'S.



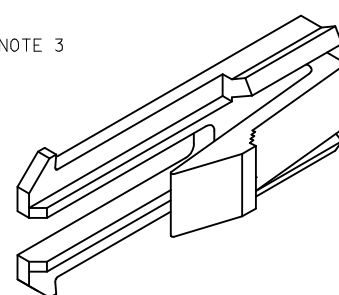
LEGEND:
30068 - *
CIRCUIT SIZE (18-24)



| | | | | | | |
|---|-----------------|--|---------------------------------------|---|----------------------------|------------------------|
| SEE SHEET 1 EC NO: UCP2013-3729 DRW: NGUYEN 2013/03/25 CHKD: BELL 2013/03/25 APPR: SMITH 2013/04/25 | QUALITY SYMBOLS | GENERAL TOLERANCES (UNLESS SPECIFIED) | DIMENSION STYLE IN/MM | SCALE 2:1 | DESIGN UNITS METRIC | THIRD ANGLE PROJECTION |
| | ▽=0 | 4 PLACES ± --- ± --- | DRAWN BY DATE DMF 1989/10/26 | TITLE MINI FIT TPA PLUG HSG 2 THRU 24 CIRCUITS WITH OR W/O MTG EARS | | |
| | ▽=0 | 3 PLACES ± --- ± .010 | CHECKED BY DATE TGP 1989/10/26 | molex | | |
| | ▽=0 | 2 PLACES ± 0.25 ± .014 | APPROVED BY DATE FSMITH 2011/08/25 | | | |
| | REV | 1 PLACE ± 0.36 ± --- | ANGULAR ±1/2° | MATERIAL NO. SEE CHART | DOCUMENT NO. SD-30068-* | SHEET NO. 2 OF 3 |
| R5 | 0 PLACE ± ± | DRAFT WHERE APPLICABLE MUST REMAIN WITHIN DIMENSIONS | SIZE C | THIS DRAWING CONTAINS INFORMATION THAT IS PROPRIETARY TO MOLEX INCORPORATED AND SHOULD NOT BE USED WITHOUT WRITTEN PERMISSION | | |



RECOMMENDED PANEL OPENING FOR USE WITH PLUGS WITH MOUNTING EARS.
RECOMMENDED PANEL THICKNESS .031/(0.8)-.08/(2.0).



- NOTES:**
- 1) MOUNTING EAR MATERIAL: UNFILLED POLYESTER, P.B.T., COLOR: BLACK.
 - 2) MOUNTING EARS TO BE INSERTED INTO SIDE SLOTS FROM BACK OF HOUSING.
 - 3) HOUSING ASSEMBLY TO BE INSERTED FROM PUNCH SIDE OF PANEL.
 - 4) REFER TO DRAWING SD-43130-0001 MOUNTING EAR INFORMATION

| NUMBER OF CIRCUITS | DIM. A | DIM. B |
|--------------------|------------------|------------------|
| 2 | .617 (15.67) | .634 (16.10) |
| 4 | .617 (15.67) | .634 (16.10) |
| 6 | .783 (19.89) | .799 (20.30) |
| 8 | .948 (24.08) | .965 (24.50) |
| 10 | 1.113 (28.27) | 1.130 (28.70) |
| 12 | 1.279 (32.49) | 1.295 (32.90) |
| 14 | 1.444 (36.68) | 1.461 (37.10) |
| 16 | 1.609 (40.87) | 1.626 (41.30) |
| 18 | 1.972 (50.09) | 1.988 (50.50) |
| 20 | 2.137 (54.28) | 2.154 (54.70) |
| 22 | 2.303 (58.50) | 2.319 (58.90) |
| 24 | 2.468 (62.69) | 2.484 (63.10) |

| SEE SHEET 1 EC NO: UCP2013-3729 DRAWING: NGUYEN 2013/03/25 CHKD: J.BELL 2013/03/25 APPR: F.SMITH 2013/04/25 | QUALITY SYMBOLS | GENERAL TOLERANCES (UNLESS SPECIFIED) <table border="1"> <thead> <tr> <th></th> <th>mm</th> <th>INCH</th> </tr> </thead> <tbody> <tr> <td>4 PLACES</td> <td>± .010</td> <td>± .0004</td> </tr> <tr> <td>3 PLACES</td> <td>± .010</td> <td>± .0004</td> </tr> <tr> <td>2 PLACES</td> <td>± 0.25</td> <td>± .010</td> </tr> <tr> <td>1 PLACE</td> <td>± 0.36</td> <td>± .014</td> </tr> <tr> <td>0 PLACE</td> <td>±</td> <td>±</td> </tr> </tbody> </table> | | mm | INCH | 4 PLACES | ± .010 | ± .0004 | 3 PLACES | ± .010 | ± .0004 | 2 PLACES | ± 0.25 | ± .010 | 1 PLACE | ± 0.36 | ± .014 | 0 PLACE | ± | ± | DIMENSION STYLE IN/MM DRAWN BY: DMF DATE: 1989/10/26 CHECKED BY: TGP DATE: 1989/10/26 APPROVED BY: F.SMITH DATE: 2011/08/25 | SCALE: 4:1 DESIGN UNITS: METRIC | THIRD ANGLE PROJECTION |
|--|---------------------|--|--|----|-------------------------|----------|--------|---------|----------|--------|---------|----------|--------|--------|---------|--------|--------|---------|---|---|--|--|-------------------------------|
| | | mm | INCH | | | | | | | | | | | | | | | | | | | | |
| | 4 PLACES | ± .010 | ± .0004 | | | | | | | | | | | | | | | | | | | | |
| | 3 PLACES | ± .010 | ± .0004 | | | | | | | | | | | | | | | | | | | | |
| 2 PLACES | ± 0.25 | ± .010 | | | | | | | | | | | | | | | | | | | | | |
| 1 PLACE | ± 0.36 | ± .014 | | | | | | | | | | | | | | | | | | | | | |
| 0 PLACE | ± | ± | | | | | | | | | | | | | | | | | | | | | |
| DRAFT WHERE APPLICABLE MUST REMAIN WITHIN DIMENSIONS | | MATERIAL NO. SEE CHART DOCUMENT NO. SD-30068-* | MINI FIT TPA PLUG HSG 2 THRU 24 CIRCUITS WITH OR W/O MTG EARS | | | | | | | | | | | | | | | | | | | | |
| SIZE C | | THIS DRAWING CONTAINS INFORMATION THAT IS PROPRIETARY TO MOLEX INCORPORATED AND SHOULD NOT BE USED WITHOUT WRITTEN PERMISSION | | | SHEET NO. 3 OF 3 | | | | | | | | | | | | | | | | | | |