

DWG. NO. SD-35413-001

SIMILAR ITEM

PROJECT NO.

C

B

DO NOT SCALE DRAWING DIMENSION IN METRIC

8

7

6

5

4

3

2

1

F

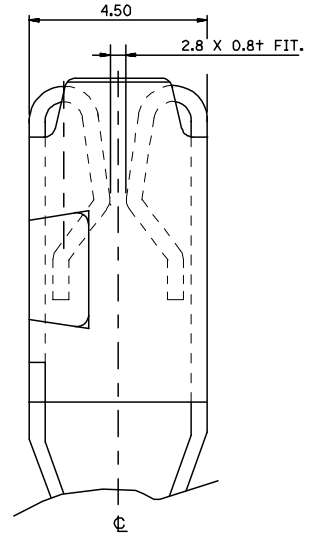
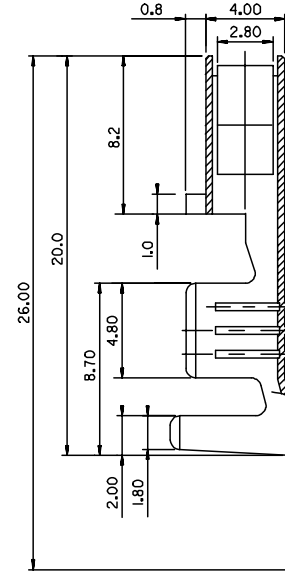
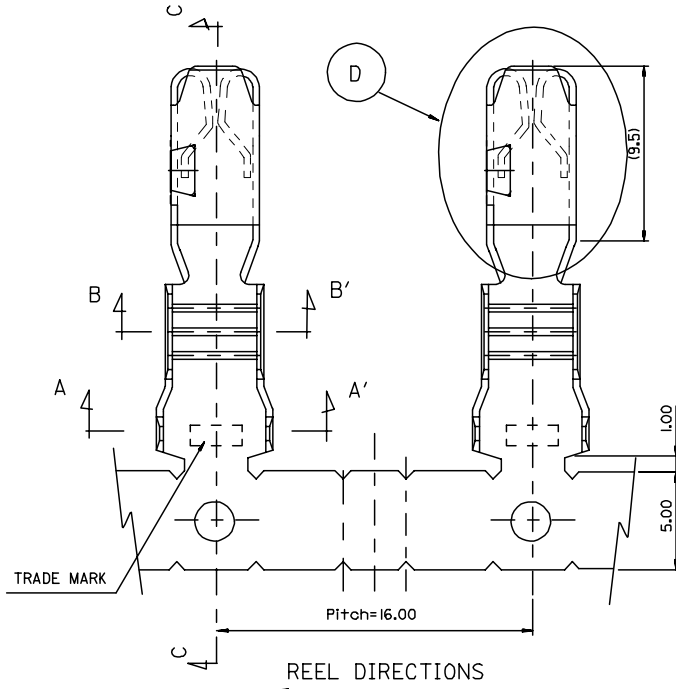
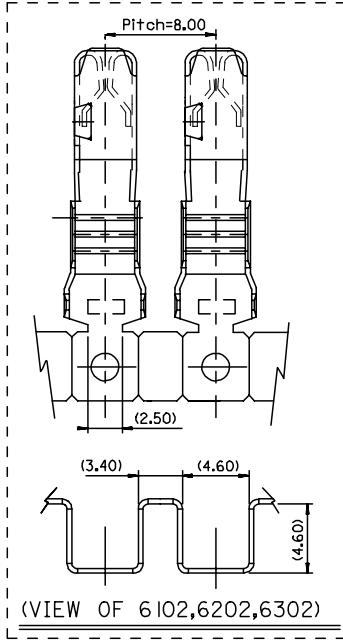
E

D

C

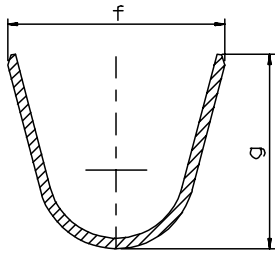
B

A

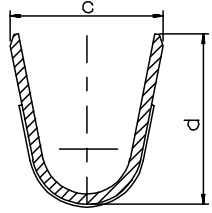


SECTION C-C'

DETAIL D



SECTION A-A'



SECTION B-B'

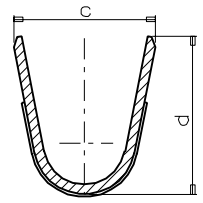
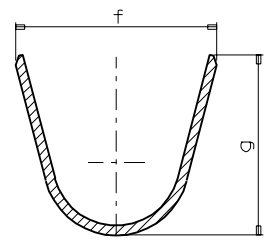
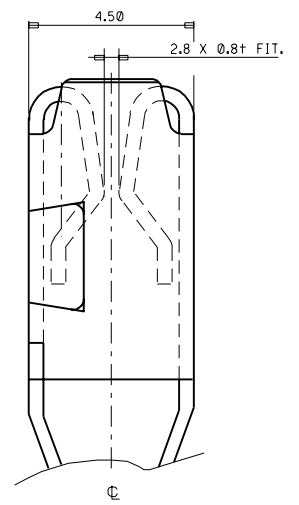
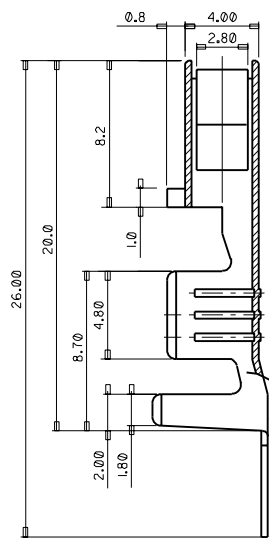
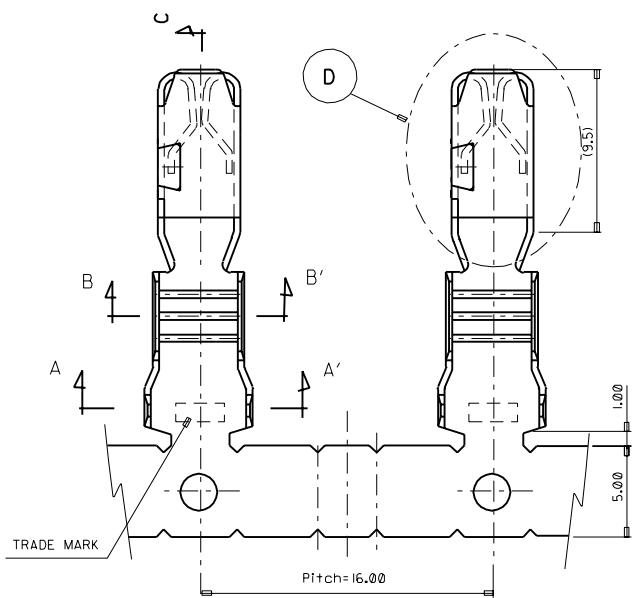
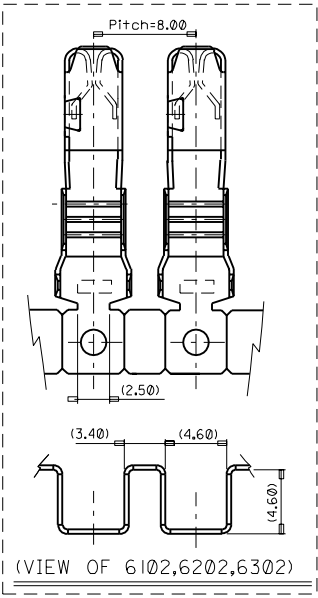
NOTES

1. MATERIAL: COPPER ALLOY.
2. FINISH: PRE-TIN PLATED.
3. RECOMMENDED LENGTH OF WIRE STRIP: 6.0-6.8.

ENG NO.	PITCH	c	d	f	g	WIRE SIZE
35413-6102	8.00	2.9	2.9	4.1	4.0	0.3-0.5sq
35413-6202		3.1	3.2	4.9	4.8	0.85-1.25sq
35413-6302		3.9	4.8	5.6	6.2	2.0-3.0sq
35413-6602	16.0	2.9	2.9	4.1	4.0	0.3-0.5sq
35413-6702		3.1	3.2	4.9	4.8	0.85-1.25sq
35413-6802		3.9	4.8	5.6	6.2	2.0-3.0sq

<p>CHANGED DIMS EC NO.: KOR2005-0168 DRWN: S.Y.PARK 05/2/21 CHK: B.C.YOON 05/2/21 APPR: C.W.LEE</p>	<p>QUALITY SYMBOLS MAJOR = 0 CRITICAL = 0</p>	GENERAL TOLERANCES: (UNLESS SPECIFIED)		SCALE 4/1	DESIGN UNITS <input checked="" type="checkbox"/> MM <input type="checkbox"/> INCH	THIRD ANGLE PROJECTION <input checked="" type="checkbox"/>	DIMENSIONS: <input type="checkbox"/> MM <input type="checkbox"/> INCH <input checked="" type="checkbox"/> MM ONLY	SHT	REV
		4 PLACES	±0.	±	DRAWN BY & DATE B.K.CHOI 1996.12.07	TITLE: MINI FUSE TERMINAL			
		3 PLACES	±0.	±	CHECKED BY & DATE B.K.CHOI	MATERIAL NO. _____ DRAWING NO. SD-35413-001 SHEET NO. 1/1			
		2 PLACES	±0.2	±	APPROVED BY & DATE C.W.LEE	MATERIAL NO. _____ DRAWING NO. SD-35413-001 SHEET NO. 1/1			
1 PLACE	±0.	±	ANGULAR: ± 1.0 °	CAD FILENAME SD-35413-001.mi		THIS DRAWING CONTAINS INFORMATION THAT IS PROPRIETARY TO MOLEX INCORPORATED AND SHOULD NOT BE USED WITHOUT WRITTEN PERMISSION.		SIZE B	
REV	DESCRIPTION	DRAFT WHERE APPLICABLE MUST REMAIN WITHIN DIMENSIONS		MX-A3					

PROJECT NO. SIMILAR ITEM DWG. NO. SD 35414-6*02
 DO NOT SCALE DRAWING DIMENSION IN METRIC



REEL DIRECTIONS

- NOTES
1. MATERIAL: COPPER ALLOY.
 2. FINISH: PRE-TIN PLATED.
 3. RECOMMENDED LENGTH OF WIRE STRIP: 6.0-6.8.

ENG NO.	PITCH	c	d	f	g	WIRE SIZE
35413-6102	8.00	2.9	2.9	4.1	4.0	0.3-0.5sq
35413-6202		3.1	3.2	4.9	4.8	0.85-1.25sq
35413-6302		3.9	4.2	5.6	6.2	2.0-3.0sq
35413-6602	16.0	2.9	2.9	4.1	4.0	0.3-0.5sq
35413-6702		3.1	3.2	4.9	4.8	0.85-1.25sq
35413-6802		3.9	4.2	5.6	6.2	2.0-3.0sq

REVISED	EC NO.: KOR1999-0001	QUALITY SYMBOLS
	DRWN: H.J.KIM 1999.01.04	
REV	CHK: B.K.CHOI	MAJOR
	APPR: C.W.LEE	CRITICAL

DESCRIPTION	GENERAL TOLERANCES: (UNLESS SPECIFIED)	SCALE 4/1	DESIGN UNITS <input checked="" type="checkbox"/> mm <input type="checkbox"/> INCH	THIRD ANGLE PROJECTION <input checked="" type="checkbox"/>
	4 PLACES	mm ±0.	INCH ±	
	3 PLACES	mm ±0.	INCH ±	
	2 PLACES	mm ±0.2	INCH ±	
	1 PLACE	mm ±0.	INCH ±	
	ANGULAR: ± 1.0 °			

DRAWN BY & DATE	TITLE:
B.K.CHOI 1996.12.07	MINI FUSE TERMINAL
CHECKED BY & DATE	
B.K.CHOI	
APPROVED BY & DATE	
C.W.LEE	
CAD FILENAME	MATERIAL NO.
S35413.DGN	

DIMENSIONS:		SHT	REV
<input type="checkbox"/> mm <input type="checkbox"/> INCH	<input checked="" type="checkbox"/> mm ONLY		REVISE ON CAD ONLY
DRAWING NO. SD 35414-6*02		SHEET NO. 1/1	
MATERIAL NO.		SIZE B	

THIS DRAWING CONTAINS INFORMATION THAT IS PROPRIETARY TO MOLEX INCORPORATED AND SHOULD NOT BE USED WITHOUT WRITTEN PERMISSION.