

10

9

8

7

6

5

4

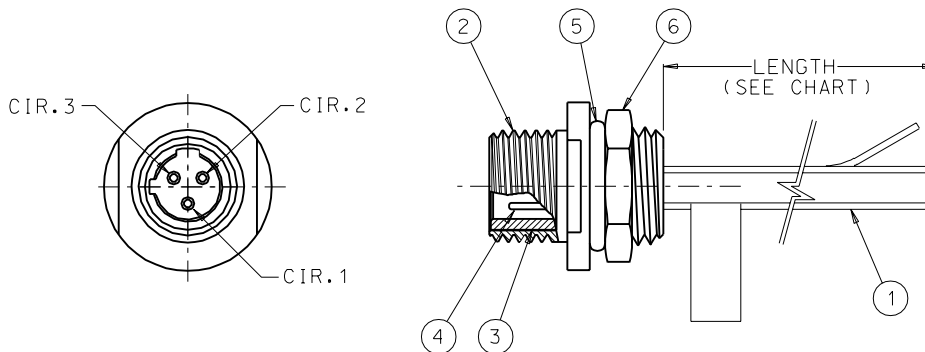
3

2

SD-84907-0016

PART NO.	ENG. NO.	LENGTH
849070016	-	2'
849070037	-	3'
845810302	07364M07SG	1'

REV	DATE	ECN NO.	APPVD BY	REL BY
C	9-28-99	UM2000-0127 PROD. REL.	FVM	
D	7-3-00	UM2000-0582		



6	1	LOCKNUT, PANEL	STEEL/ZINC PLATED
5	1	O-RING	NITRILE
4	3	CONTACT, PIN	CU ALLOY/GOLD PLATED
3	1	INSERT, PIN, 3/C	NYLON/COLOR:GRAY
2	1	RECEPT. BODY	STAINLESS STEEL
1	SEE CHART	WIRE, 22 AWG.	PVC INSULATED
ITEM	QTY	DESCRIPTION	MATERIAL/FINISH

P1

1	GRN
2	RED/BLK
3	RED/WHT

WIRING DIAGRAM

QUALITY SYMBOLS MAJOR = CRITICAL = SPC =	UNLESS SPECIFIED: ALL DIMENSIONS IN INCHES GENERAL TOLERANCES: 3 PLACE ±.005 2 PLACE ±.01 ANGULAR ±2°	SCALE --- DWG SIZE B	THIRD ANGLE PROJECTION	REVISE ON CAD ONLY	
	DRAWN BY & DATE CF 9-28-99 CHECKED BY & DATE DW 9-28-99 APPROVED BY & DATE DW 9-28-99	TITLE: MICRO-C, RECEPTACLE US DUAL KEY, MALE, 3 POLE, 22 AWG.			
	Uti-Mate CAGE CODE 58967	MOLEX INCORPORATED Orange, CA	PART NO. SEE CHART	DRAWING NO. SD-84907-0016	92868 SHEET NO. 1 OF 1
	THIS DRAWING CONTAINS INFORMATION THAT IS PROPRIETARY TO MOLEX INCORPORATED AND SHOULD NOT BE USED WITHOUT WRITTEN PERMISSION.				REV D