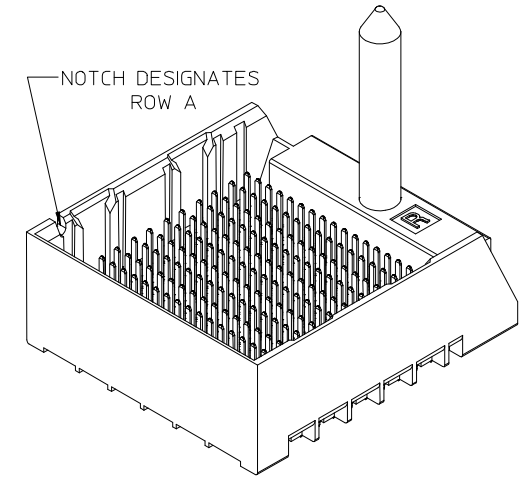
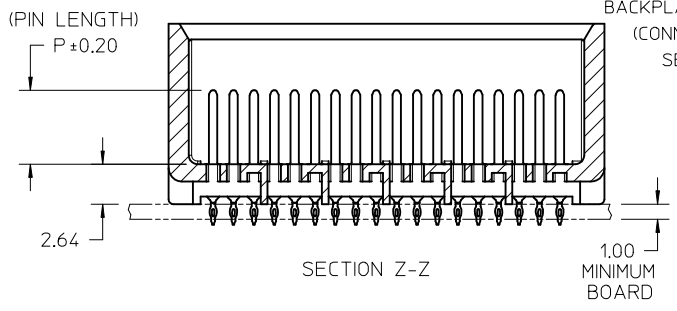
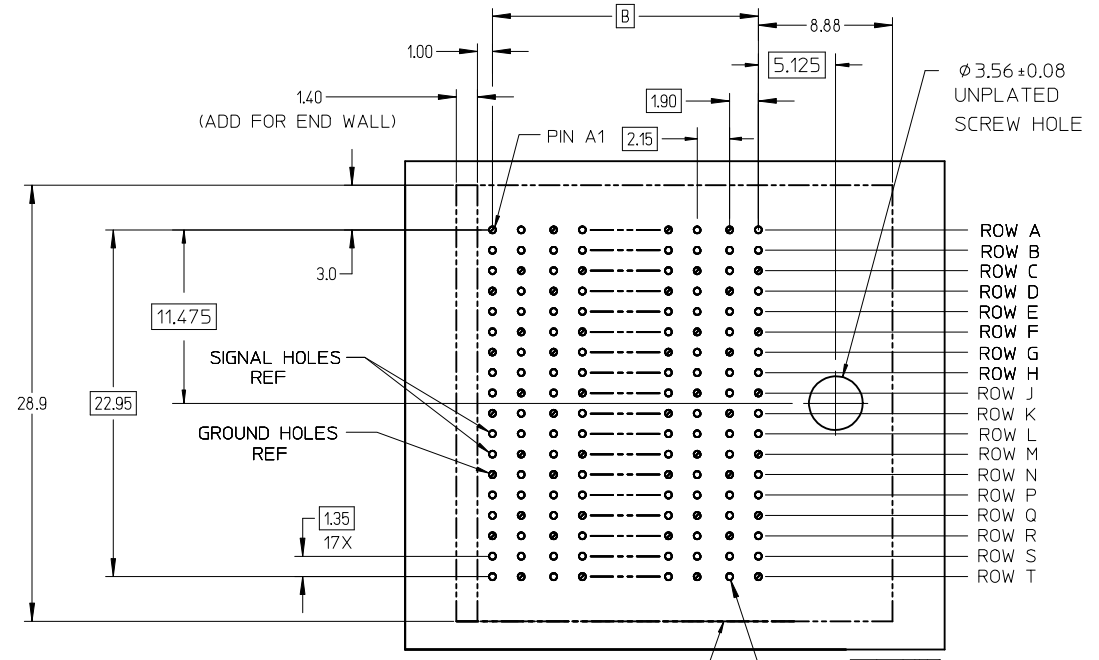


- NOTES:
- MATERIALS: HOUSING - LIQUID CRYSTAL POLYMER (LCP)  
GLASS-FILLED, UL94V-0  
TERMINALS - HIGH PERFORMANCE COPPER ALLOY
  - FINISH: 30µ MIN GOLD IN CONTACT AREA.  
SELECTIVE TIN ON PCB TAILS. NICKEL OVERALL.
  - REFER TO MOLEX PRODUCT SPECIFICATION PS-76060-999  
FOR PERFORMANCE SPECIFICATIONS AND ADDITIONAL PCB INFORMATION.
  - THIS PART CONFORMS TO CLASS B REQUIREMENTS OF  
MOLEX COSMETIC SPEC PS-45499-002.
  - PACKAGE PER: PK-70873-760.
  - SEE SHEETS 2 & 3 FOR PART NUMBERS AND BOARD RELATIONSHIPS.
  - MATES WITH IMPACT ORTHO DC SERIES NO. 76290.
  - REFER TO MOLEX PCB ROUTING GUIDE AS-76060-990 FOR ANTIPAD AND  
ROUTING RECOMMENDATIONS.
  - THESE DIMENSIONS REPRESENT THE AREA NEEDED TO ACCOMMODATE  
CONNECTOR INSERTION AND REPAIR ON THE PC BOARD. THIS IS REFERRED  
TO AS THE "CONNECTOR KEEP OUT ZONE" AND DOES NOT REPRESENT THE  
ACTUAL PERIMETER OF THE CONNECTOR. WHEN LAYING OUT A PC BOARD FOR  
CONNECTORS STACKED TOGETHER, USE A 1.9mm PROGRESSION.
  - CONNECTORS ARE SUPPLIED WITH A 2-56 UNC-2A SCREW



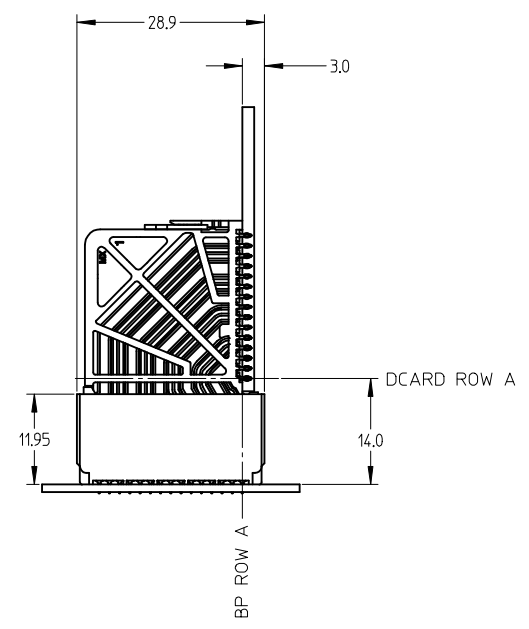
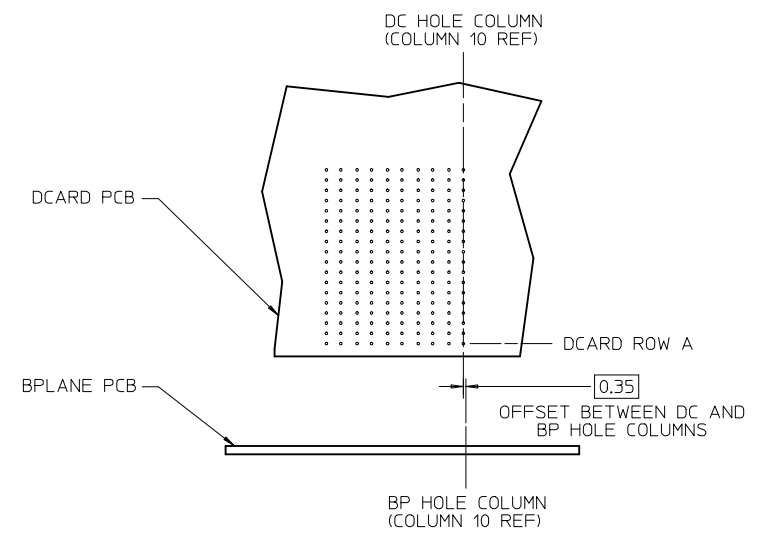
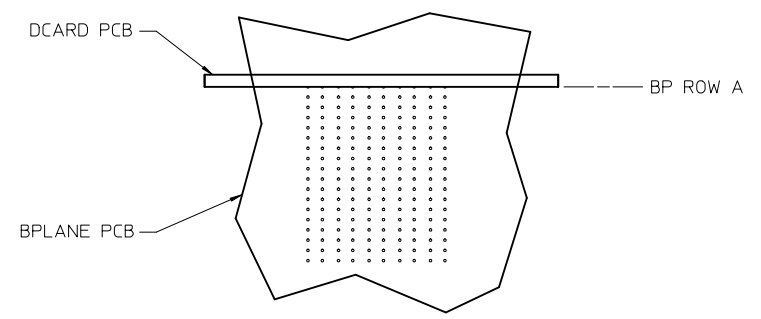
INITIAL RELEASE REV-A EC NO: UCP2016-3253 DRWN: JMENDOZA 2016/02/18 CHKD: MENDOZA APPR: TELO 2016/02/22	QUALITY SYMBOLS ▽=0 ▽=0	GENERAL TOLERANCES (UNLESS SPECIFIED)		DIMENSION STYLE <b>MM ONLY</b>	SCALE <b>4:1</b>	DESIGN UNITS <b>METRIC</b>	THIRD ANGLE PROJECTION		
		4 PLACES ± --- ± --- 3 PLACES ± --- ± --- 2 PLACES ± 0.13 ± --- 1 PLACE ± 0.25 ± ---	mm INCH	DRAWN BY JMENDOZA	DATE 2011/10/25	TITLE <b>IMPACT 6 PAIR ORTHO MATE GUIDE RIGHT HEADER ASSY SALES DRAWING</b>	<b>MOLEX INCORPORATED</b>		
		ANGULAR ±1/2°		CHECKED BY TELO	DATE 2011/10/25	DOCUMENT NO. <b>SD-76289-0003</b>			
		DRAFT WHERE APPLICABLE MUST REMAIN WITHIN DIMENSIONS		APPROVED BY TELO	DATE 2016/02/22	SHEET NO. <b>1 OF 3</b>			

SEE CHART

THIS DRAWING CONTAINS INFORMATION THAT IS PROPRIETARY TO MOLEX, INCORPORATED AND SHOULD NOT BE USED WITHOUT WRITTEN PERMISSION



IMPACT 6 PAIR ORTHO MATE  
BOARD RELATIONSHIPS



INITIAL RELEASE REV-A EC NO: UCP2016-3253 DRWN: JMENDOZA 2016/02/18 CHKD: APPR: TELO 2016/02/22	DESCRIPTION REV	QUALITY SYMBOLS ▽=0 ▽=0	GENERAL TOLERANCES (UNLESS SPECIFIED)		DIMENSION STYLE MM ONLY		SCALE 2:1	DESIGN UNITS METRIC	THIRD ANGLE PROJECTION		
		4 PLACES ± --- ± --- 3 PLACES ± --- ± --- 2 PLACES ± 0.13 ± --- 1 PLACE ± 0.25 ± ---		DRAWN BY JMENDOZA	DATE 2011/10/25	TITLE IMPACT 6 PAIR ORTHO MATE GUIDE RIGHT HEADER ASSY SALES DRAWING					
		ANGULAR ± 1/2°		CHECKED BY TELO	DATE 2011/10/25	APPROVED BY TELO					
		DRAFT WHERE APPLICABLE MUST REMAIN WITHIN DIMENSIONS		SEE CHART		MATERIAL NO. DOCUMENT NO.		MOLEX INCORPORATED SD-76289-0003		SHEET NO. 3 OF 3	

SIZE C THIS DRAWING CONTAINS INFORMATION THAT IS PROPRIETARY TO MOLEX INCORPORATED AND SHOULD NOT BE USED WITHOUT WRITTEN PERMISSION