



The BradControl™ IP67 I/O modules provide a reliable solution for connecting industrial controllers to I/O devices in harsh environments.

## Ethernet Discrete I/O Module

### IP67 Classic Module

#### Features

- Supports Modbus TCP (TCP/IP & UDP)
- Accepts M12 threaded connectors or BradConnectivity™ Ultra-Lock™ connection system
- Standard hole pattern allows for interchangeability with popular I/O modules
- Supports PNP & NPN input devices
- Several I/O configurations to choose from
  - TCDEM-8YYX-DIU offers 16 points of configurable I/O where the user can configure each point as either an input or output
- Ability to control I/O through the use of sockets
- Visible LEDs provide maintenance personnel with the ability to easily determine I/O, module & network status
- Rated IP67 for harsh environments
- Designed for direct machine mount applications
- IP addressing via Bootp, DHCP or static (through web interface, push button & Modbus commands)
- Scrolling 4 characters status display for IP addressing and module status
- Built-in 2-port Ethernet switch
  - 10/100 Mbps auto-sensing and crossover capability
- Built-in web server for remote monitoring, configuration and diagnostics
- Configurable I/O capability (through web interface & Modbus commands)
- Watchdog

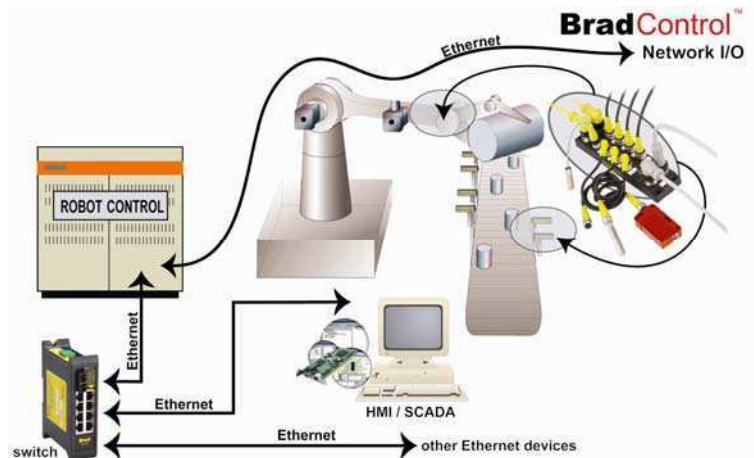
#### Typical Applications

- Machine tool industry
- Material handling systems
- Filling & packaging
- Steel industry



### I/O Systems for Harsh Duty Environments

BradControl™ Ethernet I/O modules provide a reliable solution for connecting industrial controllers to I/O devices in harsh duty environments.



Contained in an IP67 rated housing, BradControl I/O modules can be machine mounted and are able to withstand areas where liquids, dust or vibration may be present. This makes them ideally suited for many applications including material handling equipment and automated assembly machinery.

Advanced network features such as 10/100 Mbps auto-sensing, web server capabilities and a flexible IP address setup method, make configuration and operation simple. Following traditional industrial fieldbus practices, standard M12 connectors from sensing devices or actuators plug directly into the I/O module. An environmentally sealed IP67 connection between the I/O module and the Ethernet network is created using the Ultra-Lock™ connection system built into the BradControl Ethernet I/O module.

## Ethernet I/O Module



## LED Indicators

## Module &amp; Input Power (I):

Green –power present  
Off –power not connected

## Output Power (O):

Green –power present  
Off –power not connected

## Display Box:

Inform about Ethernet address, IO  
and Watchdog status

## Input / Output (Ix / Ox):

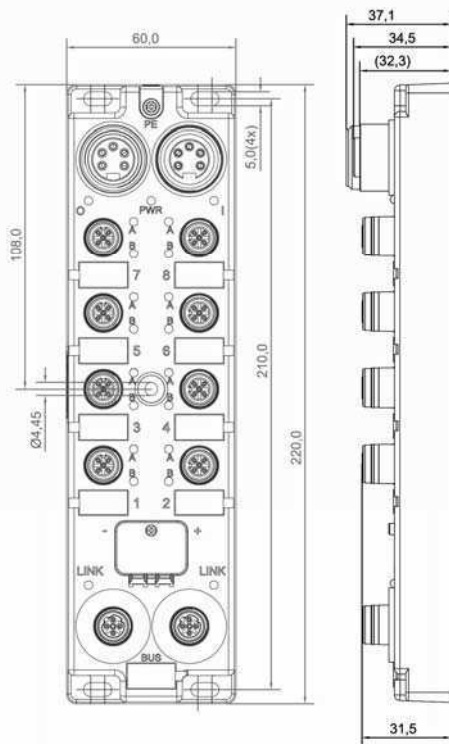
Green – input/output on  
Red – input/output fault  
Off – input/output off

## Ethernet Link (LNK 1/2):

Solid Green– Ethernet link at 100 Mbit/s  
without activity.  
Flashing Green– Ethernet link at 100 Mbit/s  
with activity.

Solid Yellow– Ethernet link at 10 Mbit/s  
without activity.

Flashing Yellow – Ethernet link at 10 Mbit/s  
with activity.



## Technical Information

I/O Configurations	16 inputs 14 inputs / 2 outputs 12 inputs / 4 outputs 8 inputs / 8 outputs Universal & user configurable input / output channels
I/O Connectors	Micro-Change <sup>®</sup> 5-pole M12 female BradConnectivity <sup>™</sup> Ultra-Lock <sup>™</sup> , internally threaded
Ethernet Connectors	2 connectors 4-pole female M12 D-Coded Ultra-Lock Acting as a switch. Crossover capability
Power Connectors	Power in : male Mini-Change <sup>®</sup> 5-pole Power out : female Mini-Change 5-pole
Power Requirements	Module & input power : 24 Vdc, Module output power : 24 Vdc (13 to 28 V), 8A max per module
Communications Rate	10/100 Mbps auto-sensing, auto-detecting, full duplex
IP Address Capabilities	BOOTP (default), DHCP, static address
Fieldbus specification	Modbus (TCP & UDP)
Input Type	Compatible with dry contact and PNP or NPN 3-wire switches. Electronic short circuit protection
Input Delay	2.5 ms default or Configurable through Modbus messaging
Input Device Supply	200 mA per port at 25°C
Output Load Current	Maximum 2.0 A per channel Electronic short circuit protection
Maximum Switching Frequency	200 Hz
Housing Dimensions	60mm x 220mm x 20mm (2.36 x 8.66 x .78 inches)
Mounting Dimensions	37.5 mm (1.48 inches) horizontal on centers 210 mm (8.27 inches) vertical on centers Center hole
Operating Temperature	-20°C to 70°C (-4°F to 158°F)
Storage Temperature	-40°C to 85°C (-40°F to 185°F)
Protection	IP67 according to IEC 60529, NEMA 6P
Vibration	MIL-STD-202F, method 204D, condition A
Mechanical Shock	MIL-STD-202F, method 213B, condition B
Thermal Shock	MIL-STD-1344A
Approvals	CE, UL, CUL

## Ordering Information

Part Number	Product Description
TCDEM-8D0N-D1U	Digital 8 port, 16 in NPN
TCDEM-8C2N-D1U	Digital 8 port, 14 in & 2 out NPN
TCDEM-8B4N-D1U	Digital 8 port, 12 in & 4 out NPN
TCDEM-888N-D1U	Digital 8 port, 8 in & 8 out NPN
TCDEM-8D0P-D1U	Digital 8 port, 16 in PNP
TCDEM-8C2P-D1U	Digital 8 port, 14 in & 2 out PNP
TCDEM-8B4P-D1U	Digital 8 port, 12 in & 4 out PNP
TCDEM-888P-D1U	Digital 8 port, 8 in & 8 out PNP
TCDEM-8YYX-D1U	Digital 8 port, 16 I/O universal & user configurable input / output channels

To contact us: [www.woodhead.com](http://www.woodhead.com)

Reference Number: DW2007208 Date Published: July 2007

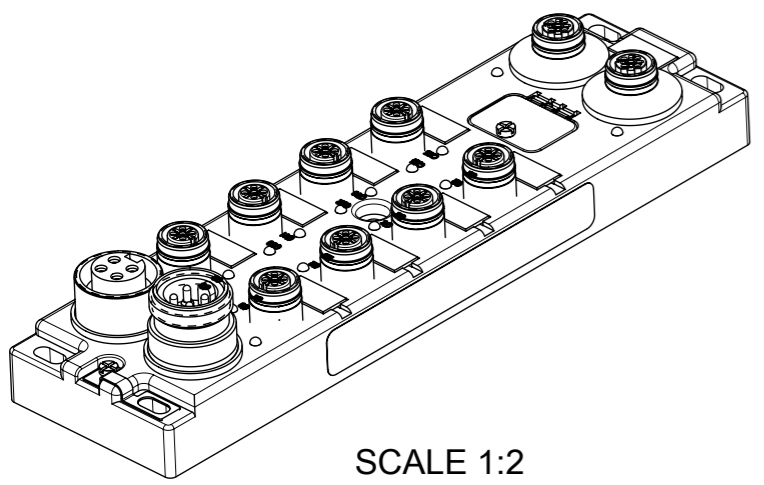
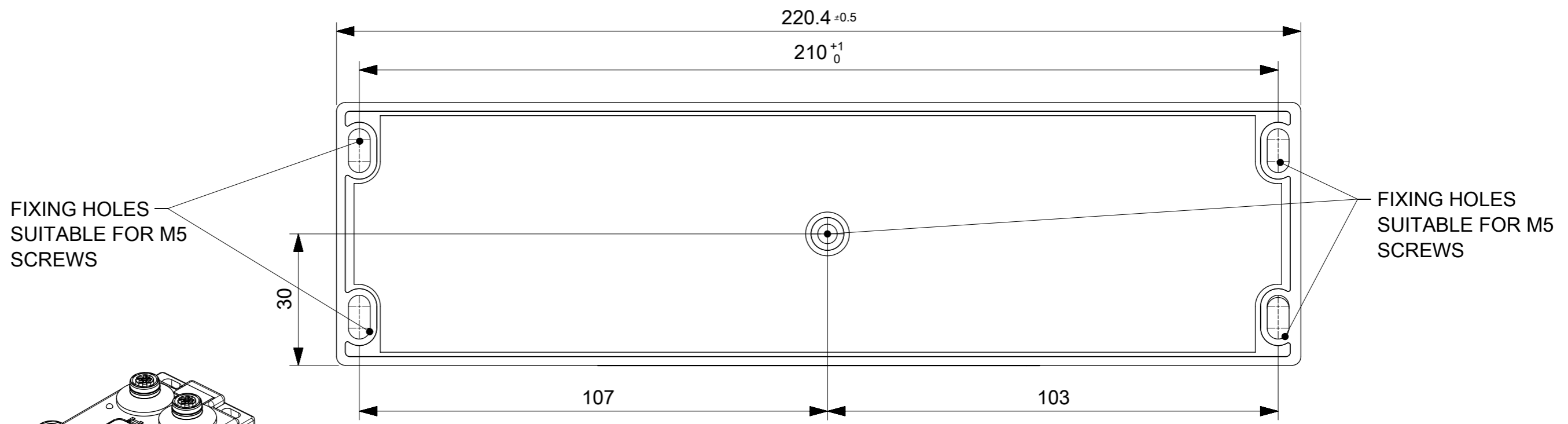
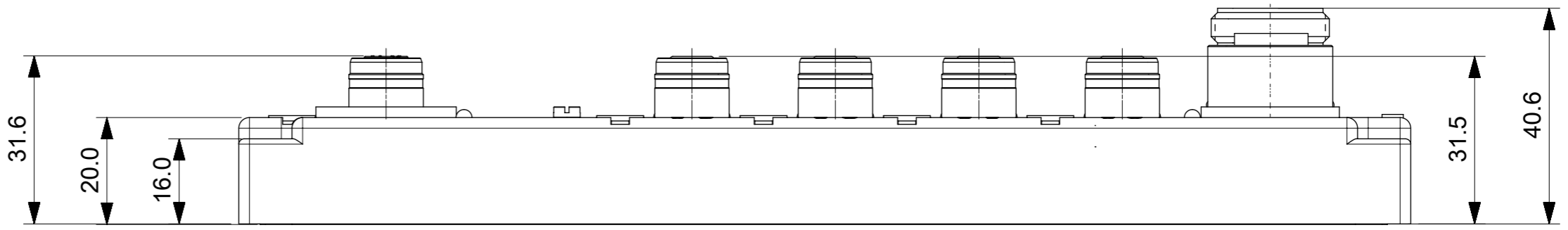
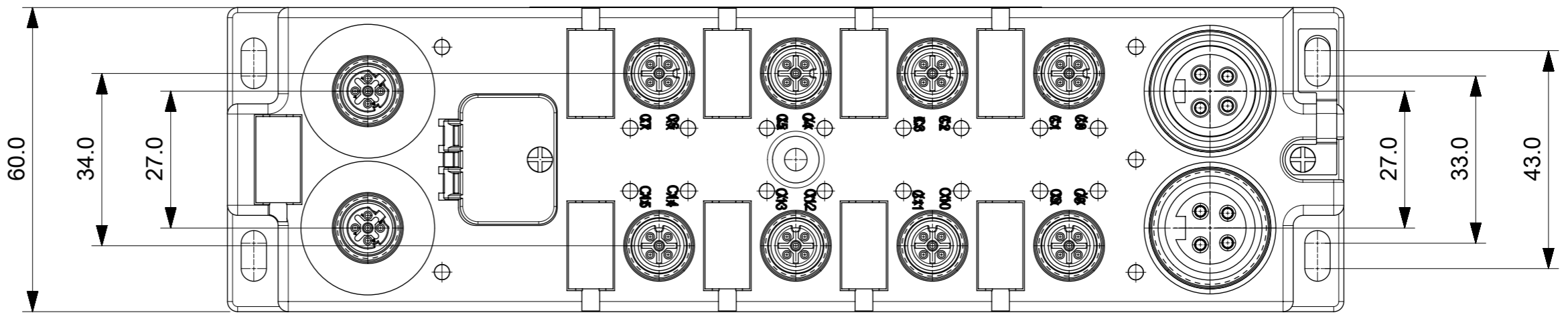
North America: US: +1-800-225-7724 – Canada: +1 (905) 624-6518

Europe: France: +33 (0)1 64 30 91 36 – Germany: +49 7252/94 96-0 – Italy: +39 026-6400321  
United Kingdom: +44 1495 356300

Asia: Shanghai, China: +86 21-5835-9885 – Tianjin, China: +86 22-23321717

Singapore: +65 6268-6868 – Yamato, Japan: +81 46-265-2428 – Nagoya, Japan: +81 52-221-5950

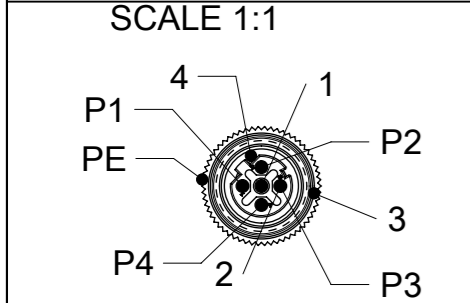
**BradControl**<sup>™</sup>



THIS DRAWING CONTAINS INFORMATION THAT IS PROPRIETARY TO MOLEX INCORPORATED AND SHOULD NOT BE USED WITHOUT WRITTEN PERMISSION

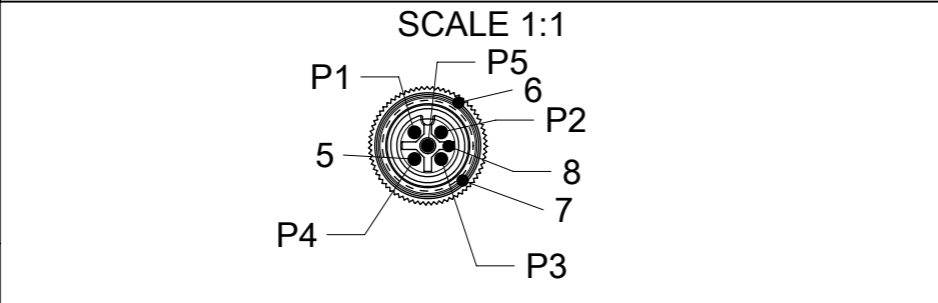
EC DESCRIPTION EC NO: 105576 DRWN: ULETTENMEIER 2016/05/18 CHK'D: APPR:	QUALITY SYMBOLS	GENERAL TOLERANCES (UNLESS SPECIFIED)	DIMENSION UNITS	SCALE				
	▽ = 0 ▽ = 0 ▽ = 0 ▼ = 0 ▽ = 0 ☒ = 0 ■ = 0 ▽ = 0	(UNLESS SPECIFIED) ANGULAR TOL ± ° 4 PLACES ± 3 PLACES ± 2 PLACES ± 1 PLACE ± 0.3 0 PLACES ± 0.5 DRAFT WHERE APPLICABLE MUST REMAIN WITHIN DIMENSIONS	MM	1:1				
			DRWN BY	DATE	PRODUCT CUSTOMER DRAWING			
			ULETTENMEIER	2015/01/19	SERIES	MATERIAL NUMBER	CUSTOMER	
		CHK'D BY	DATE	112095	SEE TABLE 1,2,3,4,5,6	GENERAL MARKET		
		APPR BY	DATE	DOCUMENT NUMBER 1120950007				
		RSILLER	2015/06/25	DOC TYPE	DOC PART	SHEET NUMBER		
A1	REV	A3	THIRD ANGLE PROJECTION	PSD	000	1 OF 8		

**A**  
**BUS:**  
 2x FEMALE M12 4P D-CODE



**WIRING INFORMATION**  
 P1 TX+  
 P2 RX+  
 P3 TX-  
 P4 RX-

**B**  
**INPUT / OUTPUT:**  
 8x FEMALE M12 5P A-CODE

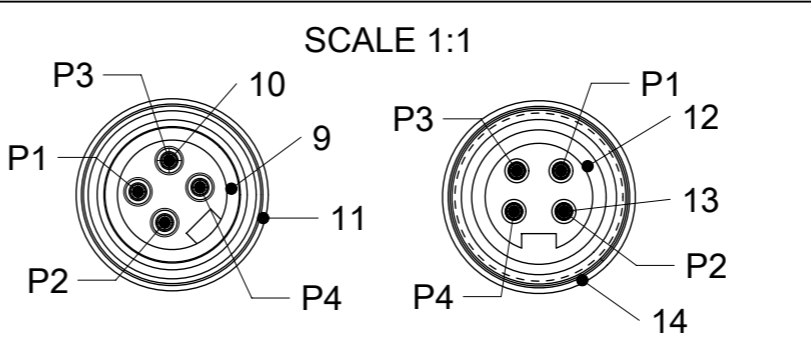


**WIRING INFORMATION INPUT**  
 P1 - +24 VDC  
 P2 - Input (even)  
 P3 - 0 V (Ground)  
 P4 - Input (odd)  
 P5 - PE (Protected Earth)

**WIRING INFORMATION OUTPUT**  
 P1 - N/C  
 P2 - Output (even)  
 P3 - 0 V (Ground)  
 P4 - Output (odd)  
 P5 - PE (Protected Earth)

**C**  
**POWER IN**  
 MALE 7/8" 4PIN

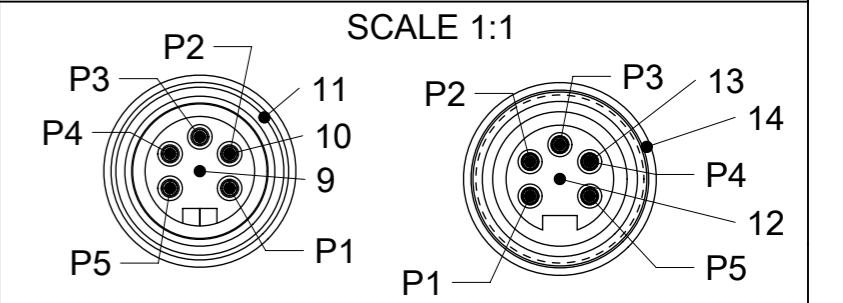
**POWER OUT**  
 FEMALE 7/8" 4PIN



**WIRING INFORMATION**  
 P1 - +24 VDC (Outputs Power)  
 P2 - +24 VDC (Module & Inputs Power)  
 P3 - 0 V (Module & Inputs Power)  
 P4 - 0 V (Outputs Power)

**POWER IN**  
 MALE 7/8" 5PIN

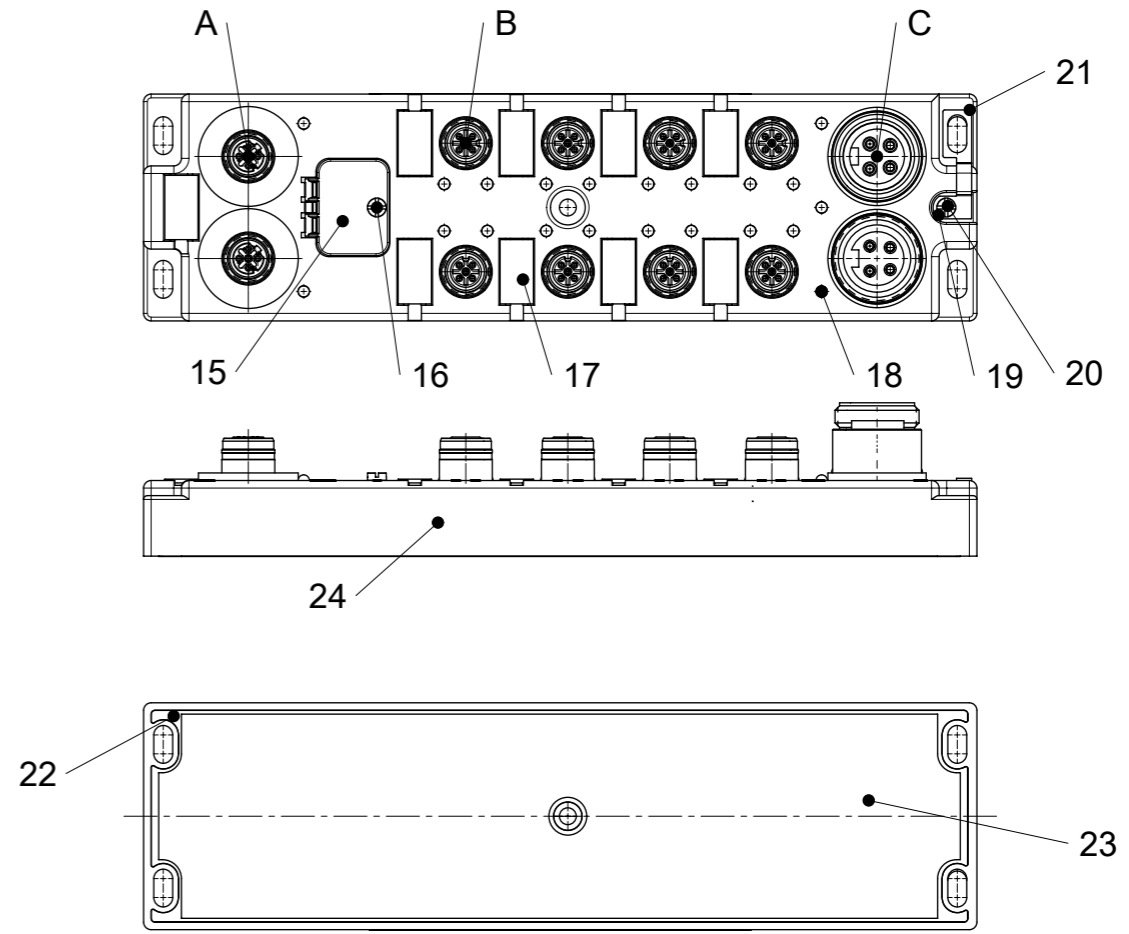
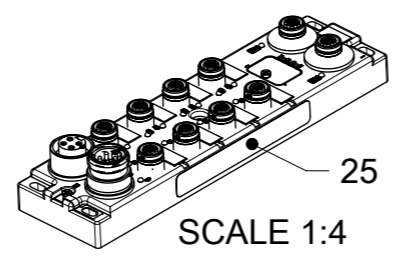
**POWER OUT**  
 FEMALE 7/8" 5PIN



**WIRING INFORMATION**  
 P1 - 0 V (Outputs Power)  
 P2 - 0 V (Module & Inputs Power)  
 P3 - PE (Protected Earth)  
 P4 - +24 VDC (Module and Inputs Power)  
 P5 - +24 VDC (Outputs Power)

**BILL OF MATERIAL**

ITEM	DESCRIPTION	MATERIAL	FINISH
1	INSERT	TPU	BLACK
2	CONTACT	COPPER ALLOY	GOLD OVERNICKEL
3	SHELL	BRASS	NICKEL PLATET
4	GASKET	FPM	RED
5	CONTACT	COPPER ALLOY	GOLD OVER NICKEL
6	GASKET	FPM	RED
7	SHELL	BRASS	NICKEL PLATET
8	INSERT	TPU	BLACK
9	INSERT	TPE	YELLOW
10	CONTACT	COPPER ALLOY	GOLD OVERNICKEL
11	SHELL	BRASS	NICKEL PLATET
12	INSERT	TPE	YELLOW
13	CONTACT	COPPER ALLOY	GOLD OVER NICKEL
14	SHELL	BRASS	NICKEL PLATET
15	WINDOW	PC	TRANSPARENT
16	SCREW	V2A	-
17	LABEL	PC	WHITE
18	FIBER OPTIC	PA	TRANSPARENT
19	WASHER	BRASS	NICKEL PLATET
20	SCREW	V2A	-
21	SHIELD PLATE	STAINLESS STEEL	-
22	RESIN	EPOXY	TRANSPARENT
23	LABEL	PVC	WHITE
24	HOUSING	PBT	BLACK
25	LABEL	PVC	YELLOW

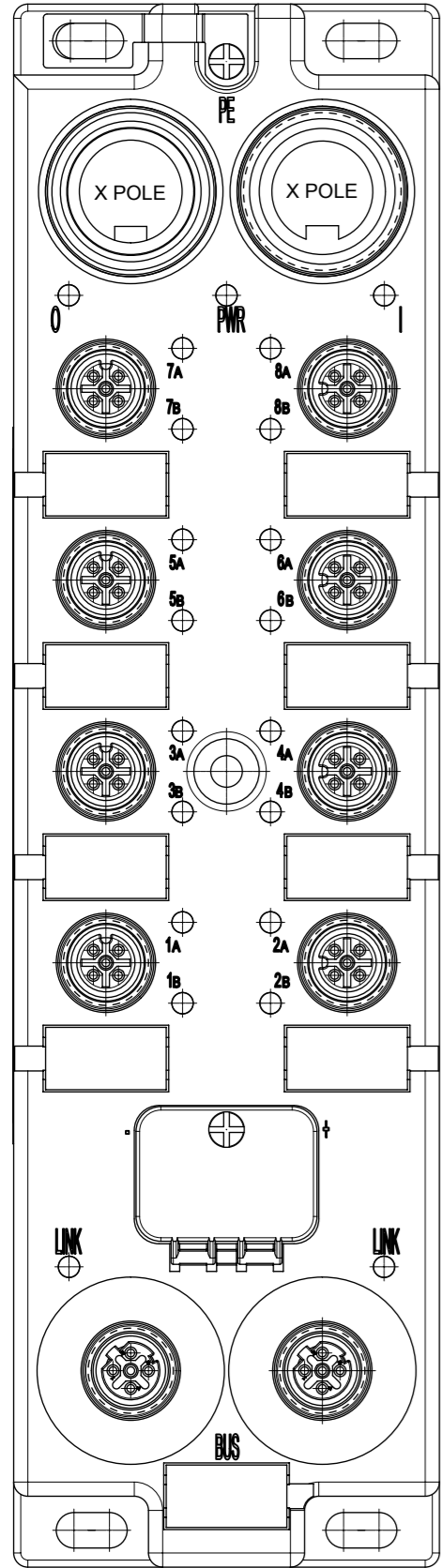


THIS DRAWING CONTAINS INFORMATION THAT IS PROPRIETARY TO MOLEX INCORPORATED AND SHOULD NOT BE USED WITHOUT WRITTEN PERMISSION

EC DESCRIPTION EC NO: 105576 DRWN: ULETTENMEIER 2016/05/18 CHK'D: APPR:	QUALITY SYMBOLS ▽ = 0 ▽ = 0 ▽ = 0 ▽ = 0 ▽ = 0 ▽ = 0 ▽ = 0 ▽ = 0 ▽ = 0	GENERAL TOLERANCES (UNLESS SPECIFIED) ANGULAR TOL ± ° 4 PLACES ± 3 PLACES ± 2 PLACES ± 1 PLACE ± 0.3 0 PLACES ± 0.5 DRAFT WHERE APPLICABLE MUST REMAIN WITHIN DIMENSIONS	DIMENSION UNITS MM SCALE 1:2 DRWN BY ULETTENMEIER DATE 2015/01/19 CHK'D BY DATE APPR BY RSILLER DATE 2015/06/25 DRAWING SIZE A3 THIRD ANGLE PROJECTION	
	PRODUCT CUSTOMER DRAWING			SERIES 112095
	MATERIAL NUMBER SEE TABLE 1,2,3,4,5,6			CUSTOMER GENERAL MARKET
	DOCUMENT NUMBER 1120950007			DOC TYPE PSD

DBO ETH 60 MM 7/8" 4P/5P AC MA FE U12 5P  
 U12 4P 2PT DC FE

DOC PART 000 SHEET NUMBER 2 OF 8

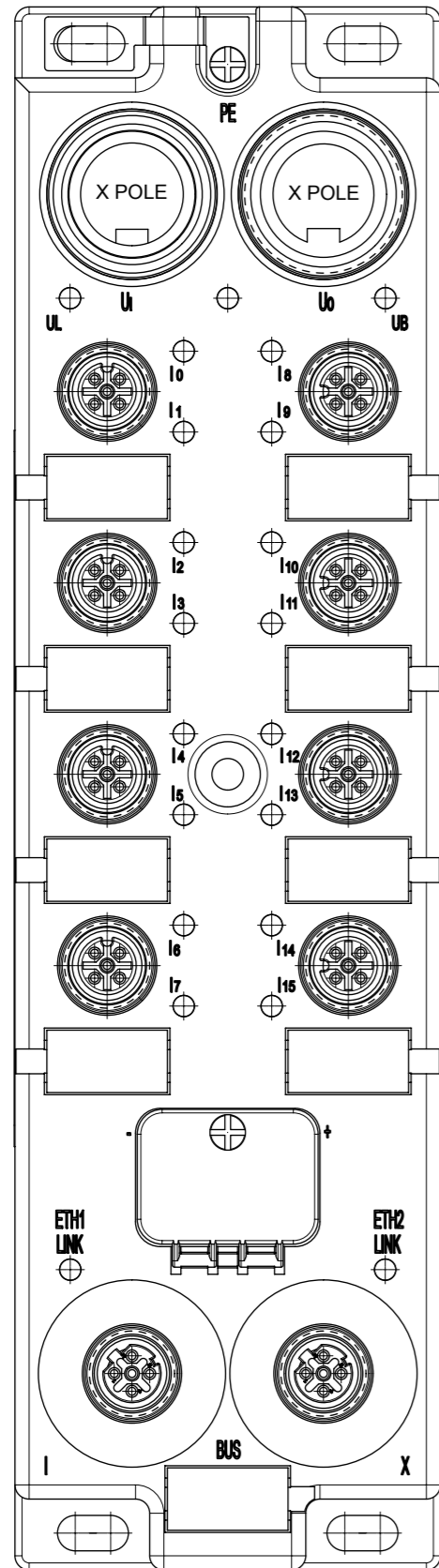


UNIVERSAL PRINTING

TABLE 1 UNIVERSAL PRINTING										
POWER TYPE	INPUT / OUTPUT	MODBUS TCP		EtherNet/IP		PROFINET		3D MODEL NO.		
		ENG.NO.	MOLEX P/N	ENG.NO.	MOLEX P/N	ENG.NO.	MOLEX P/N			
7/8" 5 POLE	NPN	16I	TCDEM-8D0N-D1U	1120950007	TCDEI-8D0N-D1U	1120955003	TCDEP-8D0N-D1U	1120955029	1120950007 (PDM)	
		14I / 2O	TCDEM-8C2N-D1U	1120950005	TCDEI-8C2N-D1U	1120955004	TCDEP-8C2N-D1U	1120955030		
		12I / 4O	TCDEM-8B4N-D1U	1120950003	TCDEI-8B4N-D1U	1120955005	TCDEP-8B4N-D1U	1120955031		
		8I / 8O	TCDEM-888N-D1U	1120950001	TCDEI-888N-D1U	1120955006	TCDEP-888N-D1U	1120955032		
	16 USER CONFIG.	TCDEM-8YYX-D1U	1120950009	TCDEI-8YYX-D1U	1120955011	TCDEP-8YYX-D1U	1120955037			
	PNP	16I	TCDEM-8D0P-D1U	1120950008	TCDEI-8D0P-D1U	1120955007	TCDEP-8D0P-D1U	1120955033		
		14I / 2O	TCDEM-8C2P-D1U	1120950006	TCDEI-8C2P-D1U	1120955008	TCDEP-8C2P-D1U	1120955034		
		12I / 4O	TCDEM-8B4P-D1U	1120950004	TCDEI-8B4P-D1U	1120955009	TCDEP-8B4P-D1U	1120955035		
8I / 8O		TCDEM-888P-D1U	1120950002	TCDEI-888P-D1U	1120955010	TCDEP-888P-D1U	1120955036			
7/8" 4 POLE	NPN	16I	TCDEM-8D0N-DYU	1120955021	TCDEI-8D0N-DYU	1120955012			1120950007 (PDM)	
		14I / 2O	TCDEM-8C2N-DYU	1120955022	TCDEI-8C2N-DYU	1120955013				
		12I / 4O	TCDEM-8B4N-DYU	1120955023	TCDEI-8B4N-DYU	1120955014				
		8I / 8O	TCDEM-888N-DYU	1120955024	TCDEI-888N-DYU	1120955015				
	16 USER CONFIG.	TCDEM-8YYX-DYU	1120955038	TCDEI-8YYX-DYU	1120955020					
	PNP	16I	TCDEM-8D0P-DYU	1120955025	TCDEI-8D0P-DYU	1120955016				
		14I / 2O	TCDEM-8C2P-DYU	1120955026	TCDEI-8C2P-DYU	1120955017				
		12I / 4O	TCDEM-8B4P-DYU	1120955027	TCDEI-8B4P-DYU	1120955018				
8I / 8O		TCDEM-888P-DYU	1120955028	TCDEI-888P-DYU	1120955019					

THIS DRAWING CONTAINS INFORMATION THAT IS PROPRIETARY TO MOLEX INCORPORATED AND SHOULD NOT BE USED WITHOUT WRITTEN PERMISSION

EC DESCRIPTION EC NO: 105576 DRWN: ULETTENMEIER 2016/05/18 CHK'D: APPR:	QUALITY SYMBOLS	GENERAL TOLERANCES (UNLESS SPECIFIED)	DIMENSION UNITS	SCALE		
	▽ = 0 ▽ = 0 ▽ = 0 ▼ = 0 ▽ = 0 ☒ = 0 ■ = 0 ▽ = 0	ANGULAR TOL ± ° 4 PLACES ± 3 PLACES ± 2 PLACES ± 1 PLACE ± 0.3 0 PLACES ± 0.5 DRAFT WHERE APPLICABLE MUST REMAIN WITHIN DIMENSIONS	MM	1:1		DBO ETH 60 MM 7/8" 4P/5P AC MA FE U12 5P U12 4P 2PT DC FE
	DRWN BY	DATE	ULETTENMEIER	2015/01/19		
	CHK'D BY	DATE				
APPR BY	DATE	RSILLER	2015/06/25			
A1	REV	DRAWING SIZE	THIRD ANGLE PROJECTION	A3	PRODUCT CUSTOMER DRAWING SERIES: 112095 MATERIAL NUMBER: SEE TABLE 1,2,3,4,5,6 CUSTOMER: GENERAL MARKET DOCUMENT NUMBER: 1120950007 DOC TYPE: PSD DOC PART: 000 SHEET NUMBER: 3 OF 8	



16 IN PRINTING

TABLE 2 16 IN PRINTING

POWER TYPE	INPUT/OUTPUT	EtherNet/IP		PROFINET		3D MODEL NO.	
		ENG. NO	MOLEX P/N	ENG. NO	MOLEX P/N		
7/8" 4 POLE	PNP	16I	TCDEI-8D0P-D1U-G	1120955060	TCDEP-8D0P-D1U-G	1120955048	1120950007 (PDM)
		16I	TCDEI-8D0P-DYU-G	1120955040	TCDEP-8D0P-DYU-G	1120955052	1120950007 (PDM)
		16I	TCDEI-8D0P-DYU-G01	1120955002			
		16I	TCDEI-8D0P-DYU-G02	1120955137			
7/8" 5 POLE							

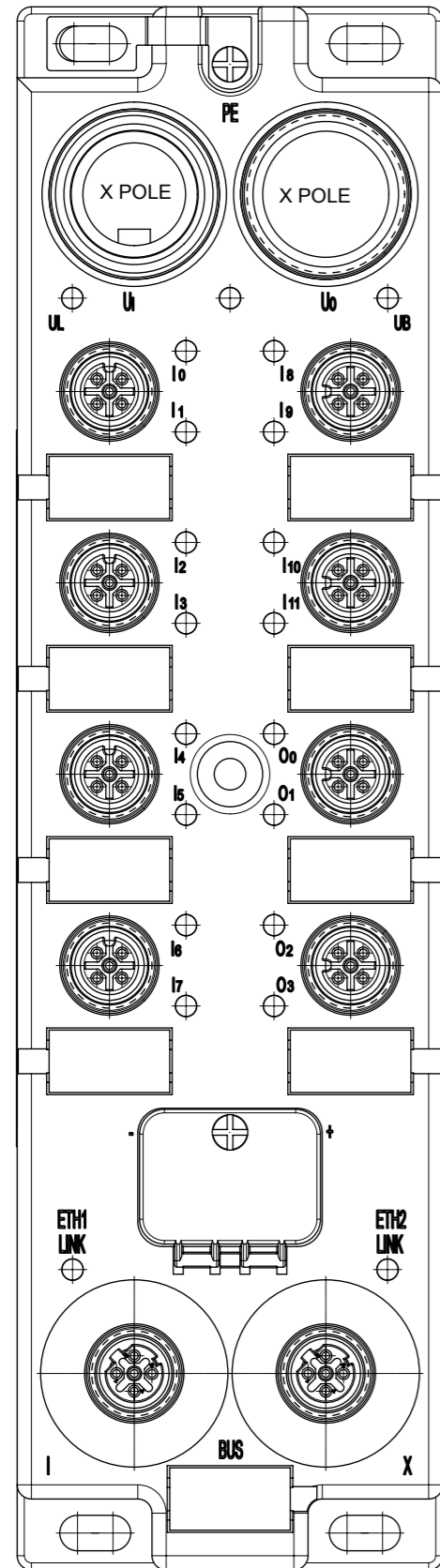
THIS DRAWING CONTAINS INFORMATION THAT IS PROPRIETARY TO MOLEX INCORPORATED AND SHOULD NOT BE USED WITHOUT WRITTEN PERMISSION

EC DESCRIPTION EC NO: 105576 DRWN: ULETTENMEIER 2016/05/18 CHK'D: APPR:	QUALITY SYMBOLS	GENERAL TOLERANCES (UNLESS SPECIFIED)	DIMENSION UNITS	SCALE		
	$\nabla = 0$ $\nabla = 0$ $\nabla = 0$ $\blacktriangledown = 0$ $\nabla = 0$ $\boxtimes = 0$ $\blacksquare = 0$ $\nabla = 0$	ANGULAR TOL $\pm$ 4 PLACES $\pm$ 3 PLACES $\pm$ 2 PLACES $\pm$ 1 PLACE $\pm$ 0.3 0 PLACES $\pm$ 0.5 DRAFT WHERE APPLICABLE MUST REMAIN WITHIN DIMENSIONS	MM	1:1		DBO ETH 60 MM 7/8" 4P/5P AC MA FE U12 5P U12 4P 2PT DC FE
	DRWN BY	DATE	ULETTENMEIER	2015/01/19		
	CHK'D BY	DATE				
APPR BY	DATE	RSILLER	2015/06/25			
A1	REV		DRAWING SIZE	THIRD ANGLE PROJECTION	SERIES: 112095 MATERIAL NUMBER: SEE TABLE 1,2,3,4,5,6 CUSTOMER: GENERAL MARKET	
			A3		DOCUMENT NUMBER: 1120950007 DOC TYPE: PSD DOC PART: 000 SHEET NUMBER: 4 OF 8	



TABLE 4 12I/4O PRINTING

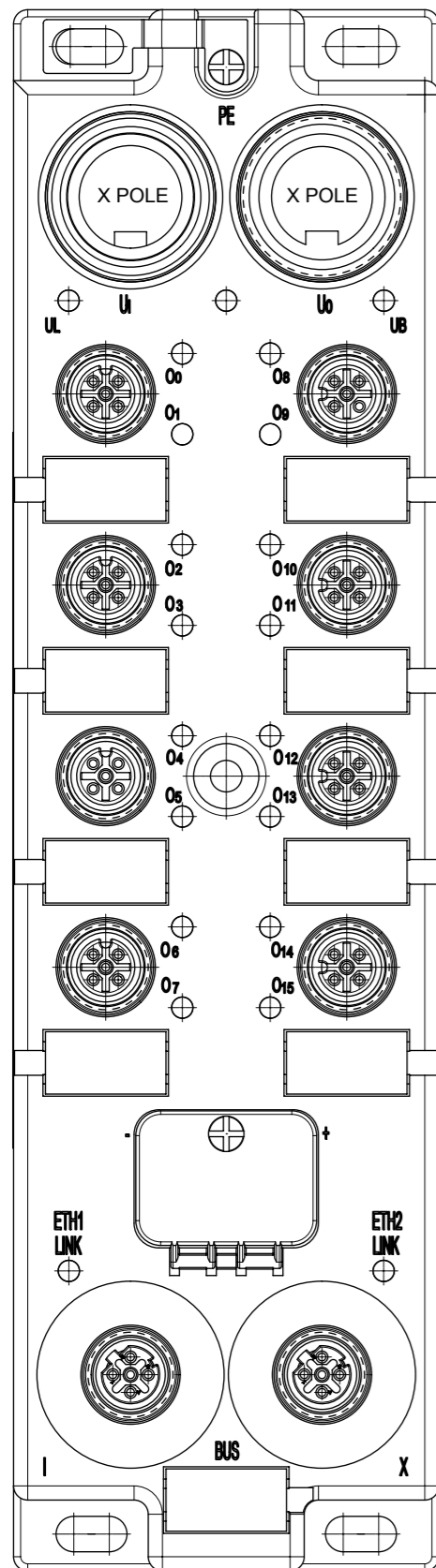
POWER TYPE	INPUT/OUTPUT	EtherNet/IP		PROFINET		3D MODEL NO.	
		ENG. NO	MOLEX P/N	ENG. NO	MOLEX P/N		
7/8" 5 POLE	PNP	12I/4O	TCDEI-8B4P-D1U-G	1120955063	TCDEP-8B4P-D1U-G	1120955051	1120950007 (PDM)
7/8" 4 POLE		12I/4O	TCDEI-8B4P-DYU-G	1120955043	TCDEP-8B4P-DYU-G	1120955054	1120950007 (PDM)
		12I/4O	TCDEI-8B4P-DYU-G01	1120955073			



12I/4O PRINTING

THIS DRAWING CONTAINS INFORMATION THAT IS PROPRIETARY TO MOLEX INCORPORATED AND SHOULD NOT BE USED WITHOUT WRITTEN PERMISSION

EC DESCRIPTION EC NO: 105576 DRWN: ULETTENMEIER 2016/05/18 CHK'D: APPR:	QUALITY SYMBOLS	GENERAL TOLERANCES (UNLESS SPECIFIED)	DIMENSION UNITS	SCALE				
	▽ = 0 ▽ = 0 ▽ = 0 ▼ = 0 ▽ = 0 ☒ = 0 ■ = 0 ▽ = 0	ANGULAR TOL ± ° 4 PLACES ± 3 PLACES ± 2 PLACES ± 1 PLACE ± 0.3 0 PLACES ± 0.5 DRAFT WHERE APPLICABLE MUST REMAIN WITHIN DIMENSIONS	MM	1:1				
	DRWN BY: ULETTENMEIER DATE: 2015/01/19	CHK'D BY:	DATE:	PRODUCT CUSTOMER DRAWING				
	APPR BY: RSILLER DATE: 2015/06/25	DRAWING SIZE: A3	THIRD ANGLE PROJECTION					SERIES: 112095 MATERIAL NUMBER: SEE TABLE 1,2,3,4,5,6 CUSTOMER: GENERAL MARKET



160 PRINTING

TABLE 5 160 PRINTING

POWER TYPE	INPUT/OUTPUT	EtherNet/IP		PROFINET		3D MODEL NO.	
		ENG. NO	MOLEX P/N	ENG. NO	MOLEX P/N		
7/8" 5 POLE	PNP	160	TCDEI-80DP-D1U-G	1120955062	TCDEP-80DP-D1U-G	1120955049	1120950007 (PDM)
7/8" 4 POLE		160	TCDEI-80DP-DYU-G	1120955042	TCDEP-80DP-DYU-G	1120955055	1120950007 (PDM)
		160	TCDEI-80D8-DYU-G01	1120955074			

THIS DRAWING CONTAINS INFORMATION THAT IS PROPRIETARY TO MOLEX INCORPORATED AND SHOULD NOT BE USED WITHOUT WRITTEN PERMISSION

EC DESCRIPTION EC NO: 105576 DRWN: ULETTENMEIER 2016/05/18 CHK'D: APPR:	QUALITY SYMBOLS	GENERAL TOLERANCES (UNLESS SPECIFIED)	DIMENSION UNITS	SCALE				
	▽ = 0 ▽ = 0 ▽ = 0 ▼ = 0 ▽ = 0 ☒ = 0 ■ = 0 ▽ = 0	ANGULAR TOL ± ° 4 PLACES ± 3 PLACES ± 2 PLACES ± 1 PLACE ± 0.3 0 PLACES ± 0.5 DRAFT WHERE APPLICABLE MUST REMAIN WITHIN DIMENSIONS	MM	1:1				
	DRWN BY: ULETTENMEIER DATE: 2015/01/19	CHK'D BY: ULETTENMEIER DATE: 2015/06/25	APPR BY: RSILLER DATE: 2015/06/25	PRODUCT CUSTOMER DRAWING				
	A1	DRAWING SIZE: A3 THIRD ANGLE PROJECTION	SERIES: 112095 MATERIAL NUMBER: SEE TABLE 1,2,3,4,5,6 CUSTOMER: GENERAL MARKET	DOCUMENT NUMBER: 1120950007 DOC TYPE: PSD DOC PART: 000 SHEET NUMBER: 7 OF 8				

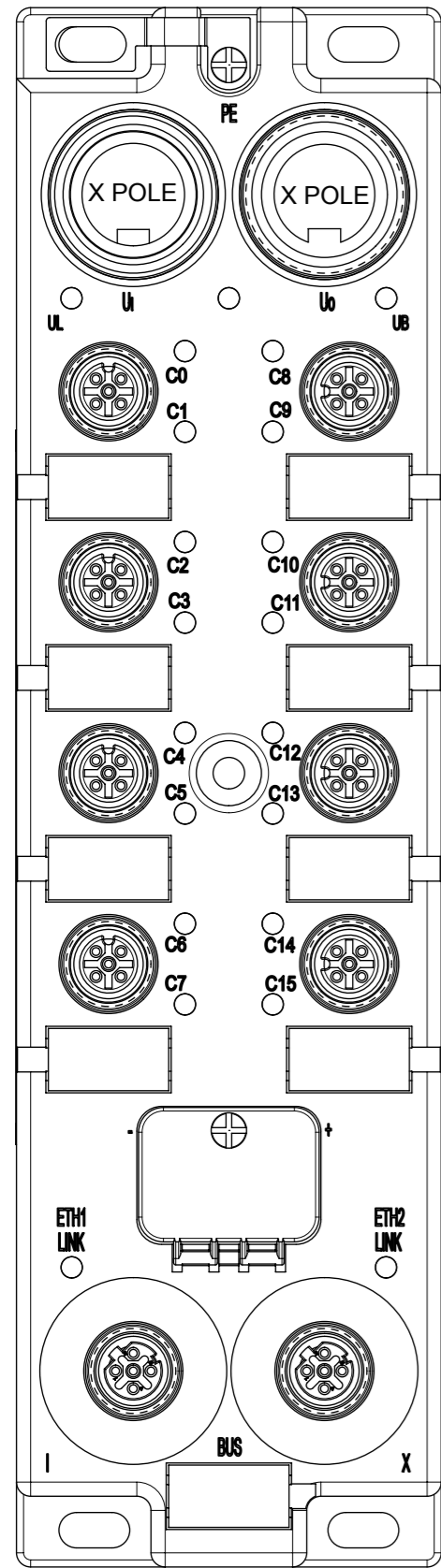


TABLE 6 16 USER CONFIG PRINTING

		PROFINET		3D MODEL NO.
POWER TYPE	INPUT/OUTPUT	ENG. NO	MOLEX P/N	
7/8" 5 POLE	USER CONFIG	TCDEP-8YYX-D1U-01	1120955115	1120950007 (PDM)
7/8" 4 POLE		TCDEP-8YYX-DYU-01	1120955114	

<b>QUALITY SYMBOLS</b> 	THIS DRAWING CONTAINS INFORMATION THAT IS PROPRIETARY TO MOLEX ELECTRONIC TECHNOLOGIES, LLC AND SHOULD NOT BE USED WITHOUT WRITTEN PERMISSION										
	EC NO: 105576 DRWN: ULETTENMEIER CHK'D: APPR:	2016/05/18  ULETTENMEIER	GENERAL TOLERANCES (UNLESS SPECIFIED)		DIMENSION UNITS	SCALE					
			ANGULAR TOL ± °		MM	1:1					
			4 PLACES ±	DRWN BY		DATE		DBO ETH 60 MM 7/8" 4P/5P AC MA FE U12 5P U12 4P 2PT DC FE			
			3 PLACES ±	ULETTENMEIER		2015/01/19					
			2 PLACES ±	CHK'D BY		DATE					
	1 PLACE ± 0.3	APPR BY		DATE		PRODUCT CUSTOMER DRAWING					
	0 PLACES ± 0.5	RSILLER		2015/06/25							
	DRAFT WHERE APPLICABLE MUST REMAIN WITHIN DIMENSIONS		DRAWING SIZE	THIRD ANGLE PROJECTION		SERIES	MATERIAL NUMBER	CUSTOMER			
			A3			112095		GENERAL MARKET			
				DOCUMENT NUMBER		DOC TYPE	DOC PART	SHEET NUMBER			
				1120950007		PSD	000	8 OF 8			