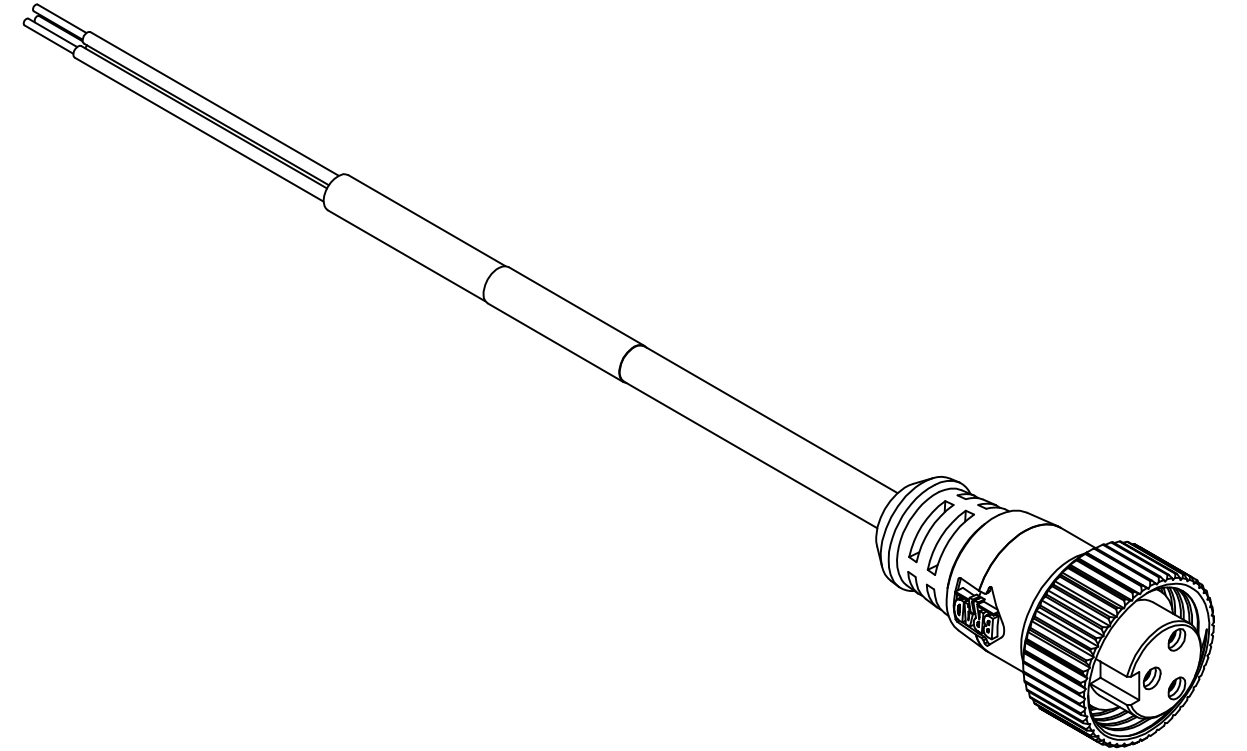
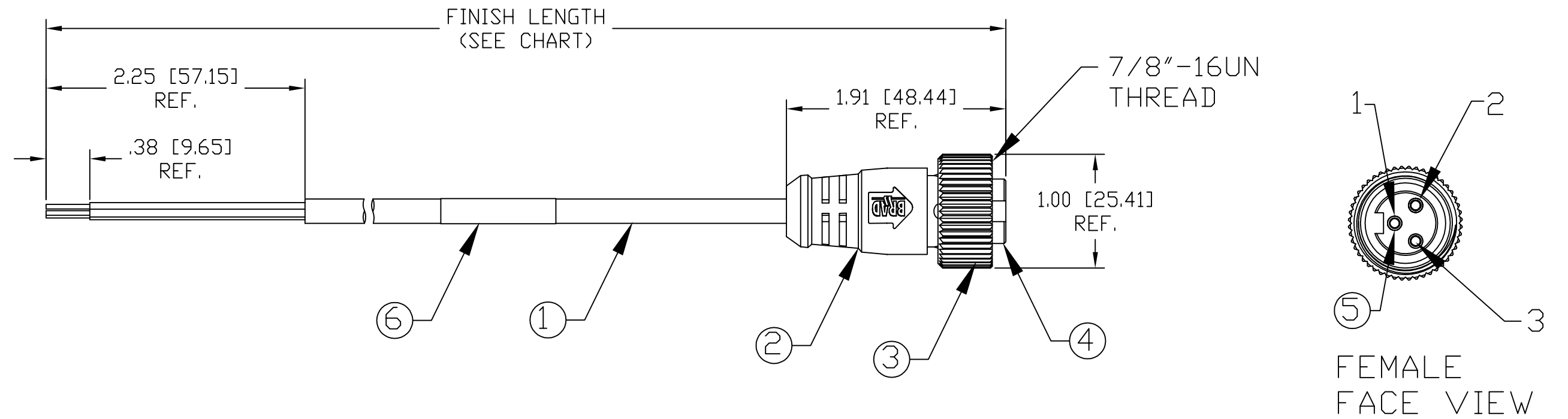


13	12	11	10	9	8	7	6	5	4	3	2	1
PART NUMBER	ENGINEERING NUMBER	FINISH LENGTH										
1300060339	103000A06M020	6' 6" +3.50" -0 [2M +88.9 -0]										
1300060345	103000A06M050	16' 4" +6.50" -0 [5M +165.1 -0]										
1300060353	103000A06M100	32' 4" +12.50" -0 [10M +317.5 -0]										
1300060356	103000A06M150	49' 2" +24.50" -0 [15M +622.3 -0]										
1300060359	103000A06M300	98' 4" +24.50" -0 [30M +622.3 -0]										



NOTE

- 1) MATERIAL: SEE TABLE
- 2) FINISHES: SEE TABLE
- 3) WRAP LABEL IS MARKED WITH P/N, DATE CODE, VOLTAGE & AMPERAGE
- 4) MATES WITH: MINI CHANGE, 3 POLE RECEPTACLE
- 5) ELECTRICAL DATA:
 INLINE CORDSET
 FEMALE A-SIZE WITH FLYING LEADS
 18AWG UNSHIELDED
 POLES: 3
 MAX. VOLTAGE: 300V
 MAX. CURRENT 7A
 PROTECTION IP67
 TEMPERATURE RANGE: -20°C TO 105°C
- 6) PACKAGING:
 CABLE ASSEMBLIES ARE BAGGED SEPERATELY
 IN POLY BAGS WITH BAR CODE LABEL ATTACHED
 TO OUTSIDE OF BAG.
- 7) ASSEMBLY IS RoHS COMPLIANT.
- 8) CERTIFICATION
 CSA CERTIFIED, FILE NO. LR6837



P1

1	GREEN/YELLOW-GRD
2	BROWN
3	BLUE

WIRING DIAGRAM

ITEM	QTY.	DESCRIPTION	MATERIAL	FINISH
6	1	LABEL	PLASTIC FILM	BLACK/YELLOW
5	3	CONTACT SOCKET	COPPER ALLOY	GOLD PLATED
4	1	INSERT	PVC	YELLOW
3	1	COUPLING NUT	ZINC DIE CAST	BLACKE-COATED
2	1	OVERMOLD	PVC	YELLOW
1	1	CABLE, 18AWG-3	PVC	YELLOW

RELEASE EC NO: WNA2010-0025 DRWN: TWOLDEGE 7/10/09 CH'KD: BWOODMAN APPR: JFMURPHY 2009/08/10	DESCRIPTION REV	QUALITY SYMBOL	GENERAL TOLERANCES (UNLESS SPECIFIED)	DIMENSION STYLE	SCALE	DESIGN UNITS	THIRD ANGLE PROJECTION															
		$\nabla=0$ $\sphericalangle=0$	<table border="1"> <tr> <th></th> <th>mm</th> <th>INCH</th> </tr> <tr> <td>4 PLACES</td> <td>±----</td> <td>±---</td> </tr> <tr> <td>3 PLACES</td> <td>±.005</td> <td>±.005</td> </tr> <tr> <td>2 PLACES</td> <td>±.013</td> <td>±.010</td> </tr> <tr> <td>1 PLACE</td> <td>±.025</td> <td>±.020</td> </tr> </table>		mm	INCH	4 PLACES	±----	±---	3 PLACES	±.005	±.005	2 PLACES	±.013	±.010	1 PLACE	±.025	±.020	IN/MM	1:1	INCH	
			mm	INCH																		
		4 PLACES	±----	±---																		
3 PLACES	±.005	±.005																				
2 PLACES	±.013	±.010																				
1 PLACE	±.025	±.020																				
	ANGULAR ±1/2°	DRAWN BY DATE	TITLE	MOLEX INCORPORATED SD-130006-009 SHEET NO. 1 OF 1																		
	DRAFT WHERE APPLICABLE MUST REMAIN WITHIN DIMENSIONS	TWOLDEGE 2009/07/10	MINI CHANGE ASSEMBLY 3-POLE FEMALE ST 18/3AWG PVC																			
		CHECKED BY DATE	THIS DRAWING CONTAINS INFORMATION THAT IS PROPRIETARY TO MOLEX INCORPORATED AND SHOULD NOT BE USED WITHOUT WRITTEN PERMISSION																			
		APPROVED BY DATE																				
		MATERIAL NO.																				
		SEE CHART																				
		SIZE C																				