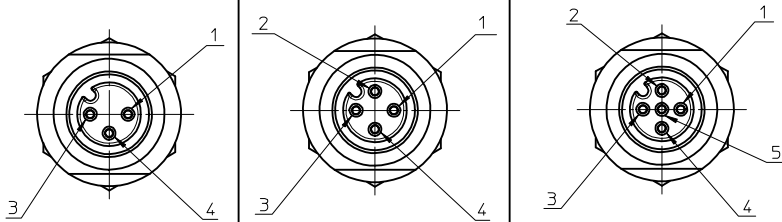


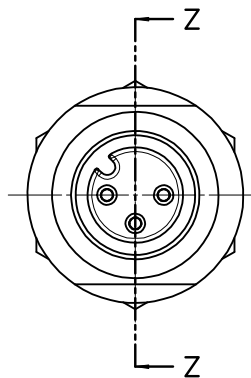
# FACE VIEW - FEMALE INSERT SCALE 2 : 1



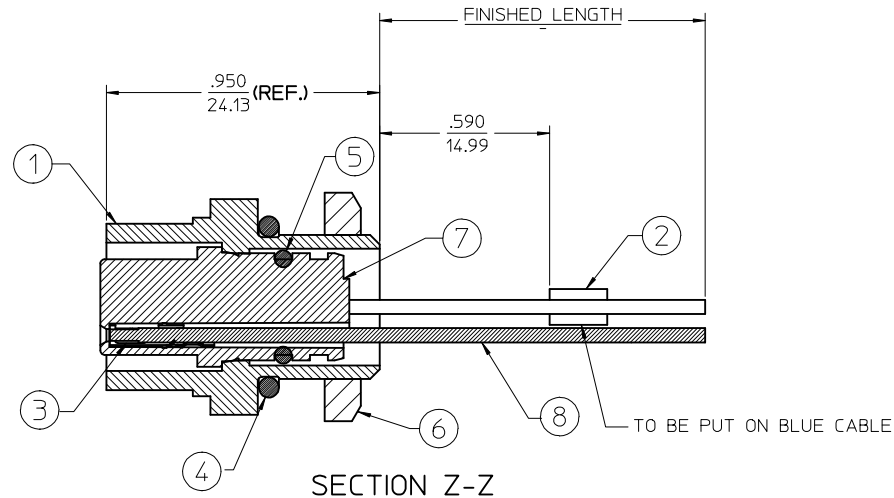
1 BROWN  
3 BLUE  
4 BLACK

1 BROWN  
2 WHITE  
3 BLUE  
4 BLACK

1 BROWN  
2 WHITE  
3 BLUE  
4 BLACK  
5 GREY



FEMALE INSERT FRONT VIEW



SECTION Z-Z

FINAL ASSEMBLY  
1200700056 (SHOWN)

<b>ENTER DESCRIPTION</b> EC NO: WEU2010-0059 DRWN: NKUMAR01 2009/08/27 CHKD: 2009/08/27 APPR: JFMURPHY 2009/08/28	<b>QUALITY SYMBOLS</b> ▽=0 ▽=0	<b>GENERAL TOLERANCES (UNLESS SPECIFIED)</b>		<b>DIMENSION STYLE</b> IN/MM	<b>SCALE</b> 2:1	<b>DESIGN UNITS</b> INCH	THIRD ANGLE PROJECTION
		4 PLACES ± --- ± --- 3 PLACES ± --- ± --- 2 PLACES ± --- ± --- 1 PLACE ± --- ± ---	mm    INCH	DRAWN BY: NKUMAR01    DATE: 27/08/09 CHECKED BY: BWOODMAN    DATE: 27/08/09	<b>TITLE</b> MIC 3P F/FR 12IN. 1/4NPT #22 P		
		ANGULAR ±1/2°		APPROVED BY: JFMURPHY    DATE: 2009/08/27	MOLEX INCORPORATED		
		DRAFT WHERE APPLICABLE MUST REMAIN WITHIN DIMENSIONS		MATERIAL NO. SEE SHEET 2 SIZE C	DOCUMENT NO. SD-120070-056	SHEET NO. 1 OF 2	

FEMALE RECEPTACLE ASSEMBLY

3 POLE	4 POLE	5 POLE
--------	--------	--------

Sl. No.	DESCRIPTION	QUANTITY		
1	MIC SHELL FM M12X1 BLK 1/4NPT	1	1	1
2	LABEL,SELF L.YELLOW(2.25X.75IN)	1	1	1
3	MIC SOCKET CONTACT - PLATED	3	4	5
4	O-RING .489 ID X .070 THK	1	1	1
5	O-RING.276 ID X .059 THK ROJO	1	1	1
6	#1/4-18IN NPS LOCKNUT	1	1	1
7	MIC 3P DC FEMALE INSERT	1		
	MIC 4P DC FEMALE INSERT		1	
	MIC 5P DC FEMALE INSERT			1
8	#22-1 BLK PVC WIRE UL1061	1	1	1
	#22-1 BLU PVC WIRE UL1061	1	1	1
	#22-1 BRN PVC WIRE UL1061	1	1	1
	#22-1 WHT PVC WIRE UL1061		1	1
	#22-1 GRY PVC WIRE UL1061			1

PART NUMBER	DESCRIPTION	FINISHED LENGTH
1200700056	8R3A00A18A120	12.0" +.75" -0 [0.3M +19.1MM -0]
1200700114	8R4A00A18A120	12.0" +.75" -0 [0.3M +19.1MM -0]
1200700201	8R5A00A18A120	12.0" +.75" -0 [0.3M +19.1MM -0]]

<b>ENTER DESCRIPTION</b> EC NO: WEU2010-0059 DRAWN BY: DRWINAKUMAR01 2009/08/27 CHKD: 2009/08/27 APPR: JFMURPHY 2009/08/28 REV: A	<b>QUALITY SYMBOLS</b> =0 =0	<b>GENERAL TOLERANCES (UNLESS SPECIFIED)</b>		<b>DIMENSION STYLE</b> IN/MM	<b>SCALE</b> 2:1	<b>DESIGN UNITS</b> INCH	<b>THIRD ANGLE PROJECTION</b>		
		4 PLACES ± --- ± --- 3 PLACES ± --- ± --- 2 PLACES ± --- ± --- 1 PLACE ± --- ± ---	mm INCH ± --- ± --- ± --- ± --- ± --- ± --- ± --- ± ---	DRAWN BY: NKUMAR01 DATE: 27/08/09	CHECKED BY: BWOODMAN DATE: 27/08/09	<b>TITLE</b> MIC 3P F/FR 12IN. 1/4NPT #22 P			
		ANGULAR ±1/2°		APPROVED BY: JFMURPHY DATE: 2009/08/27	<b>MOLEX INCORPORATED</b>				
		DRAFT WHERE APPLICABLE MUST REMAIN WITHIN DIMENSIONS		MATERIAL NO. <b>SEE CHART</b>	DOCUMENT NO. SD-120070-056	SHEET NO. 2 OF 2			