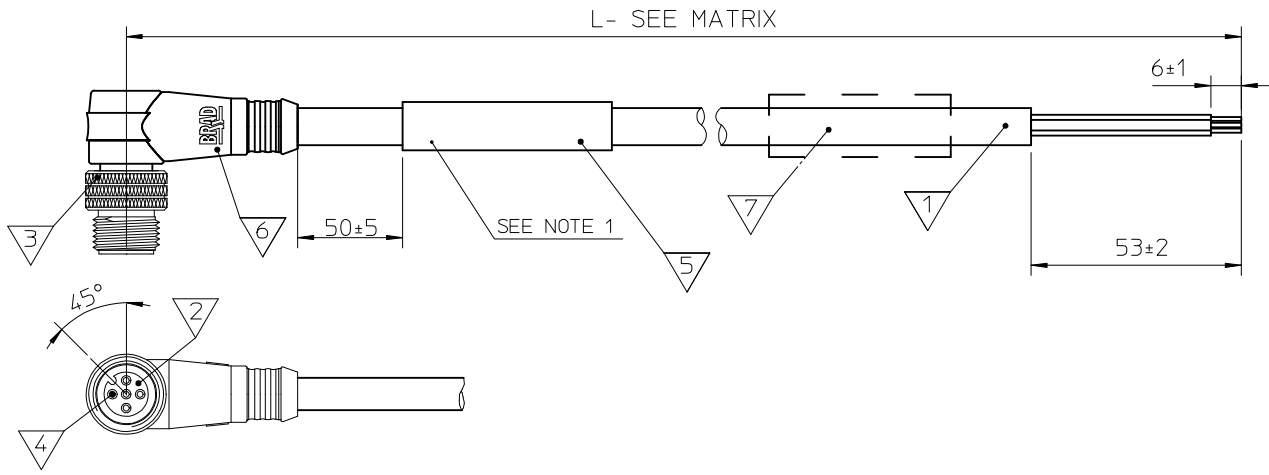


**Table of length tolerances**

Over	Up to and including	Tolerance (+)
0	305	+19
305	915	+45
915	1830	+56
1830	3660	+89
3660	7320	+165
7320	14640	+317
14640	30500	+610
30500	>	+2% of length



VIEW FROM THE FRONT SIDE

NOTES:  
1. FOR CABLES IXX PRINTING ON CABLE

Bill of Materials

ITEM	QTY.	DESCRIPTION	MATERIAL	FINISH
7	-	ID CARRIER	SEE MATRIX	SEE MATRIX
6	-	MOLDING MATERIAL	SEE MATRIX	SEE MATRIX
5	-	LABEL	SEE MATRIX	SEE MATRIX
4	-	CONTACT	SEE MATRIX	SEE MATRIX
3	1	COUPLING NUT	SEE MATRIX	SEE MATRIX
2	1	INSERT	SEE MATRIX	SEE MATRIX
1	-	CABLE	SEE MATRIX	SEE MATRIX

<b>ORIGINAL RELEASE</b> EC NO: IPG2016-0305 DRW:AKONDRAC IUK 2015/08/27 CHK:D-FGAIK 2015/08/27 APPR:MIWASIECZKO 2015/09/16	QUALITY SYMBOLS ▽=0 ◻=0	GENERAL TOLERANCES (UNLESS SPECIFIED)		DIMENSION STYLE <b>MM ONLY</b>	SCALE ---	DESIGN UNITS METRIC	THIRD ANGLE PROJECTION		
		4 PLACES ± --- ± --- 3 PLACES ± --- ± --- 2 PLACES ± --- ± --- 1 PLACE ± --- ± --- 0 PLACE ± --- ± ---	mm INCH	DRAWN BY AKONDRAC IUK	DATE 2015/08/27	TITLE <b>M12 SINGLE ENDED MALE 90</b>			
		DRAFT WHERE APPLICABLE MUST REMAIN WITHIN DIMENSIONS		CHECKED BY FGAIK	DATE 2015/08/27	MATERIAL NO. <b>SEE MATRIX</b>			
		APPROVED BY MIWASIECZKO		DATE 2015/09/16		DOCUMENT NO. <b>SD-120065-109</b>			
SIZE <b>A3</b>		THIS DRAWING CONTAINS INFORMATION THAT IS PROPRIETARY TO MOLEX INCORPORATED AND SHOULD NOT BE USED WITHOUT WRITTEN PERMISSION							