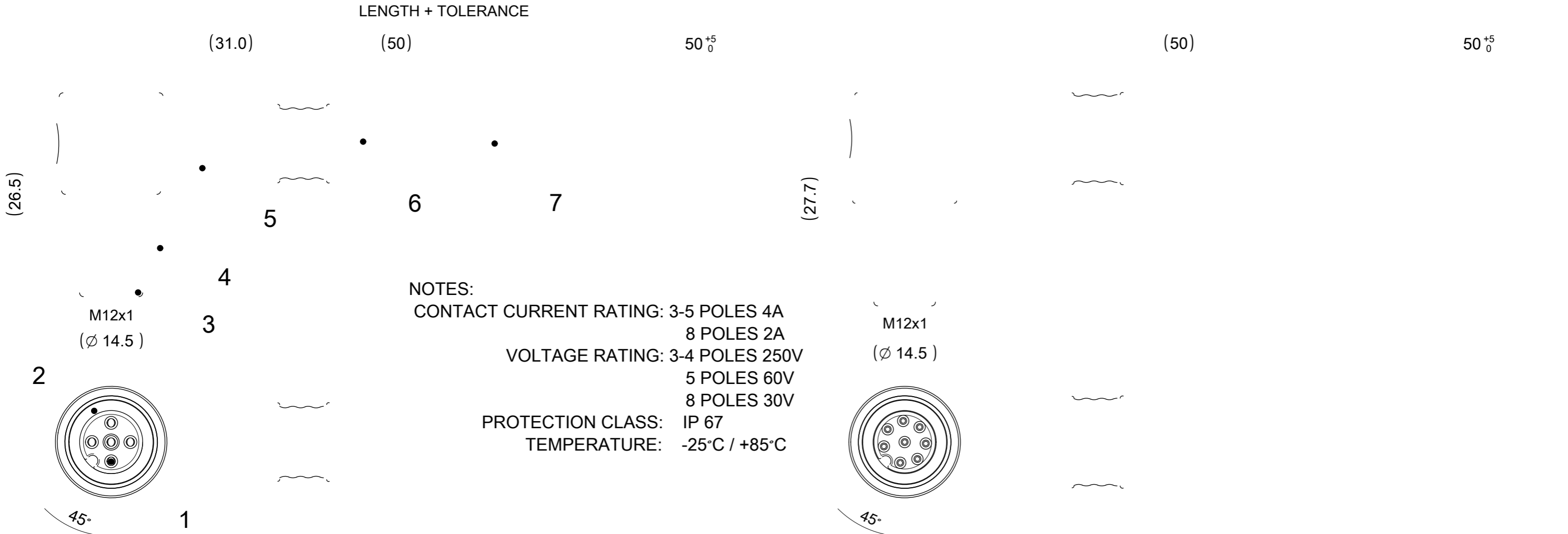


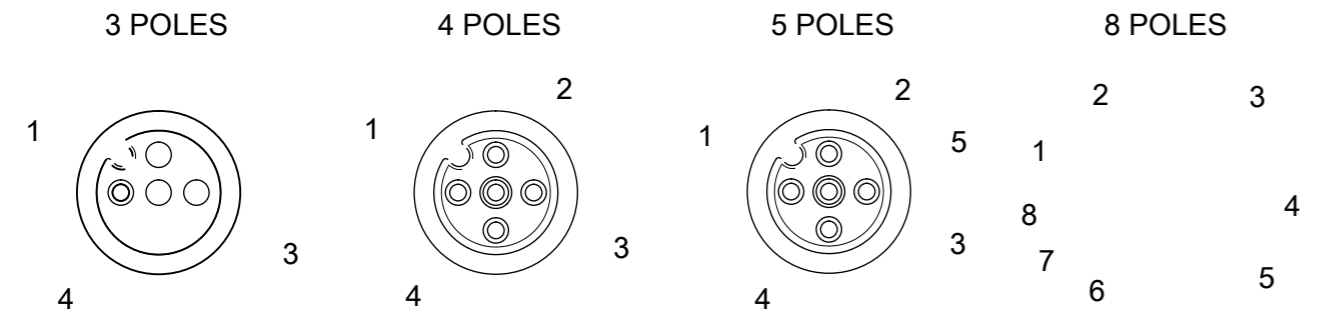
# FEMALE PLUG M12 90° ANGLED

Overmold for Cables with bigger Outer Diameter



**NOTES:**  
 CONTACT CURRENT RATING: 3-5 POLES 4A  
 8 POLES 2A  
 VOLTAGE RATING: 3-4 POLES 250V  
 5 POLES 60V  
 8 POLES 30V  
 PROTECTION CLASS: IP 67  
 TEMPERATURE: -25°C / +85°C

## CONTACT POSITION FRONT VIEW:



PIN	WIRE	PIN	WIRE	PIN	WIRE	PIN	WIRE
1	BROWN	1	BROWN	1	BROWN	1	WHITE
2	---	2	WHITE	2	WHITE	2	BROWN
3	BLUE	3	BLUE	3	BLUE	3	GREEN
4	BLACK	4	BLACK	4	BLACK	4	YELLOW
5	---	5	---	5	GREY	5	GREY
						6	PINK
						7	BLUE
						8	RED

CODING REQUIRED TO IEC 61076-2-101

## FOR OPTIONS SEE - NUMERICAL CODE - ON SHEET 2

ITEM	QTY.	DESCRIPTION	MATERIAL	FINISH
7	1	LABEL OR PRINTING	VINYL / ---	---
6	-	CABLE	SEE SHEET 2	---
5	-	OVERMOULDING BLACK	TPU	---
4	1	COUPLING NUT FEMALE	BRASS	NICKEL
3	1	INSERT FEMALE BLACK	PUR	---
2	1	ORING RED	FPM	---
1	3 / 4 / 5 / 8	CONTACT M12 FEMALE	BRASS	SELECTIVE GOLD OVER NICKEL

THIS DRAWING CONTAINS INFORMATION THAT IS PROPRIETARY TO MOLEX ELECTRONIC TECHNOLOGIES, LLC AND SHOULD NOT BE USED WITHOUT WRITTEN PERMISSION

QUALITY SYMBOLS: = 0

DATE: 2015/10/30

DRWN: JMARSZALEK

CHK'D: RSILLER

REV APPR: 2016/04/08

EC NO: 103195

GENERAL TOLERANCES (UNLESS SPECIFIED):  
 ANGULAR TOL ± 1.0 °  
 4 PLACES ±  
 3 PLACES ±  
 2 PLACES ± 0.05  
 1 PLACE ± 0.1  
 0 PLACES ± 0.2

DRAFT WHERE APPLICABLE MUST REMAIN WITHIN DIMENSIONS

DIMENSION UNITS: MM

SCALE: 2:1

DRWN BY: JMARSZALEK

DATE: 2015/10/30

CHK'D BY: RSILLER

DATE: 2016/04/08

APPR BY: RSILLER

DATE: 2016/04/08

DRAWING SIZE: A3

THIRD ANGLE PROJECTION

PRODUCT CUSTOMER DRAWING

SERIES: 120065

MATERIAL NUMBER: SEE SHEET 3-4

CUSTOMER: GENERAL MARKET

DOCUMENT NUMBER: 1200658573

DOC TYPE: PSD

DOC PART: 000

SHEET NUMBER: 1 OF 4

CSE M12 XP AC FE RA XM SE UNSH





PART LIST

Pos.	Part No.	Engineering No.	Cable Length	Pos.	Part No.	Engineering No.	Cable Length
141	1200658714	803001H09M015	1.5m	176	1200659164	804001E03M025	2.5m
142	1200658715	803001H09M020	2m	177	1200659173	803001E03M050H	5m
143	1200658716	803001H09M030	3m	178	1200659181	803001E03M100H	10m
144	1200658717	803001H09M040	4m	179	1200659182	804001E03M020H	2m
145	1200658718	803001H09M050	5m	180	1200659235	803001E03M300	30m
146	1200658719	803001H09M100	10m	181	1200659266	804001P03M020Y	2m
147	1200658783	804001E03M060	6m	182	1200659342	804001P03M1501	15m
148	1200658884	804001E03M100H	10m	183	1200659343	804001P03M2501	25m
149	1200658898	804001E03M150H	15m	184	1200659352	805001E03M1001	10m
150	1200658931	808001E02M150	15m	185	1200659353	805001E03M2501	25m
151	1200658932	808001E02M250	25m	186	1200659373	803001E02M030	3m
152	1200658976	803001P03M0505	5m	187	1200659398	808001P02M100Y	10m
153	1200658988	805001P03M050H	5m	188	1200659502	805001E03M005	0.5m
154	1200658989	805001P03M100H	10m	189	1200659592	805001E03M080	8m
155	1200658992	804001P03M050H	5m	190	1200659637	808001E02M1001	10m
156	1200659032	804001E02M050	5m	191	1200659675	804001H09M220	22m
157	1200659033	804001E02M100	10m	192	1200659738	804001P03M015	1.5m
158	1200659039	804001E02M070	7m	193			
159	1200659048	804001E02M1001	10m	194			
160	1200659056	803001E03M050Y	5m	195			
161	1200659057	803001E03M100Y	10m	196			
162	1200659061	804001E03M020Y	2m	197			
163	1200659062	804001E03M050Y	5m	198			
164	1200659063	804001E03M100Y	10m	199			
165	1200659074	803001E03M150Y	15m	200			
166	1200659077	804001E03M150Y	15m	201			
167	1200659083	805001E03M100Y	10m	202			
168	1200659095	804001H09M050HY	5m	203			
169	1200659099	804001H09M050Y	5m	204			
170	1200659101	808001H08M050Y	5m	205			
171	1200659105	808001H08M100Y	10m	206			
172	1200659108	804001P03M050HY	5m	207			
173	1200659124	804001H09M100HY	10m	208			
174	1200659140	805001H09M200	20m	209			
175	1200659147	805001E03M200	20m	210			

Pos.	Part No.	Engineering No.	Cable Length
211			
212			
213			
214			
215			
216			
217			
218			
219			
220			
221			
222			
223			
224			
225			
226			
227			
228			
229			
230			
231			
232			
233			
234			
235			
236			
237			
238			
239			
240			
241			
242			
243			
244			
245			

Pos.	Part No.	Engineering No.	Cable Length
246			
247			
248			
249			
250			
251			
252			
253			
254			
255			
256			
257			
258			
259			
260			
261			
262			
263			
264			
265			
266			
267			
268			
269			
270			
271			
272			
273			
274			
275			
276			
277			
278			
279			
280			

<p>QUALITY SYMBOLS</p> <p> = 0</p> <p> = 0</p> <p> = 0</p> <p> = 0</p> <p> = 0</p> <p> = 0</p> <p> = 0</p> <p> = 0</p> <p> = 0</p>	THIS DRAWING CONTAINS INFORMATION THAT IS PROPRIETARY TO MOLEX ELECTRONIC TECHNOLOGIES, LLC AND SHOULD NOT BE USED WITHOUT WRITTEN PERMISSION				
	2015/10/30	2016/04/08	GENERAL TOLERANCES (UNLESS SPECIFIED)		
	EC NO: 103195 DRWN: JMARSZALEK CHK'D: APPR: RSILLER	4 PLACES ±		DIMENSION UNITS	SCALE
		3 PLACES ±		MM	1:1
		2 PLACES ± 0.05		DRWN BY	DATE
		1 PLACE ± 0.1		JMARSZALEK	2015/10/30
		0 PLACES ± 0.2		CHK'D BY	DATE
	DRAFT WHERE APPLICABLE MUST REMAIN WITHIN DIMENSIONS		APPR BY	DATE	
	A3		RSILLER	2016/04/08	
	DRAUGHTING SYMBOLS		DRAWING SIZE	THIRD ANGLE PROJECTION	
A		A3			
CSE M12 XP AC FE RA XM SE UNSH					
PRODUCT CUSTOMER DRAWING					
SERIES	MATERIAL NUMBER	CUSTOMER			
120065	SEE PART LIST	GENERAL MARKET			
DOCUMENT NUMBER		DOC TYPE	DOC PART SHEET NUMBER		
1200658573		PSD	000 4 OF 4		