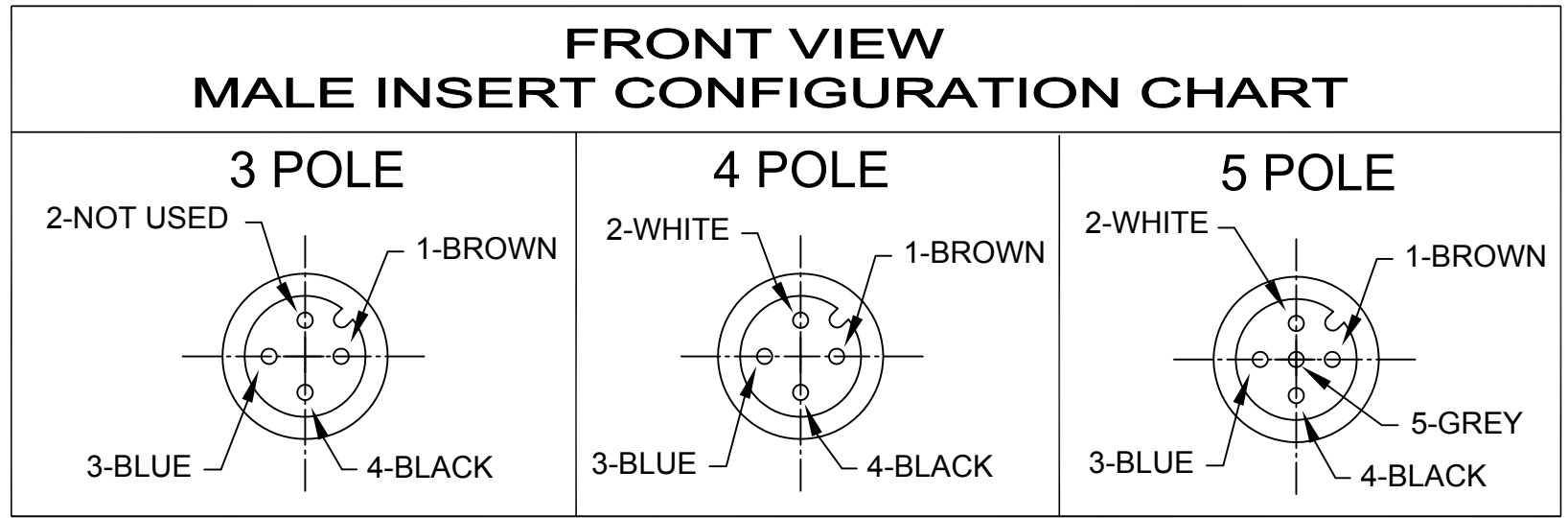


POL	MATERIAL NUMBER	ENGINEERING NUMBER	FINISHED LENGTH
3	1200700093	8R3006A18A120	12.0" +.75" -0 [.3M +19.1 -0]

CONNECTOR SPECIFICATION:

VOLTAGE RATING	250 VAC/VDC
AMPERAGE RATING	4 AMPS
PROTECTION	IP67
OPERATING TEMPERATURE	-20°C TO 80°C
UL CERTIFICATIONS	UL LISTED, FILE NO. E152210
CSA CERTIFICATIONS	CSA CERTIFIED, FILE NO. LR6837

ITEM	COMPONENT	MATERIAL	FINISH
7	LABLE	MYLAR	BLACK/YELLOW
6	LOCKNUT	STEEL	ZINC PLATED
5	O-RING	VITON	BLACK
4	CONTACT PIN	COPPER ALLOY	GOLD OVER NICKEL
3	RECEPTICAL SHELL	ALUMINIUM	ZINC PLATED
2	MALE INSERT	NYLON	BLACK
1	CONDUCTOR- 22 AWG (26x#36 STRANDING) 3-5 CONDUCTOR 300V	PVC	SEE WIRING DIAGRAMM



DESCRIPTION EC NO: WEU2010-0364 DRWN: LSTEMMLE 2010/02/17 CHKD: NS APPR: FPACHER 2010/02/24	DESCRIPTION REV 1	QUALITY SYMBOLS	GENERAL TOLERANCES (UNLESS SPECIFIED) mm INCH 4 PLACES ±--- ±--- 3 PLACES ±--- ±--- 2 PLACES ±--- ±.01 1 PLACE ±0.3 ±--- ANGULAR ± --- °	DIMENSION STYLE	SCALE 2:1 DESIGN UNITS METRIC THIRD ANGLE PROJECTION
		▽ = 0		IN/MM	
		∇ = 0		DRAWN BY DATE	
				LSTEMMLE 2010/02/17	
		DRAFT WHERE APPLICABLE MUST REMAIN WITHIN DIMENSIONS	APPROVED BY DATE	MICRO CHANGE RECEPTACLE 3-5 POLE MALE #22/3-5 AWG PVC WIRING MOLEX INCORPORATED DOCUMENT NO. SD-120070-015 SHEET NO. 1 OF 1	
		SEE TABLE	FP 2010/02/18		
			MATERIAL NO.		
			SIZE A3	THIS DRAWING CONTAINS INFORMATION THAT IS PROPRIETARY TO MOLEX INCORPORATED AND SHOULD NOT BE USED WITHOUT WRITTEN PERMISSION	