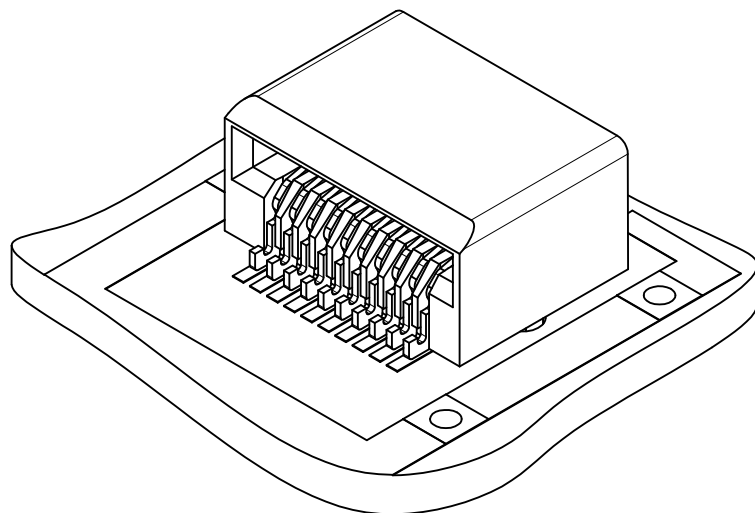


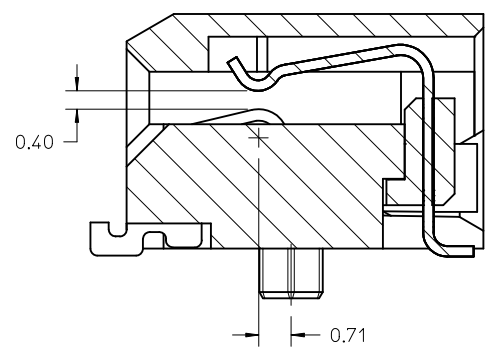
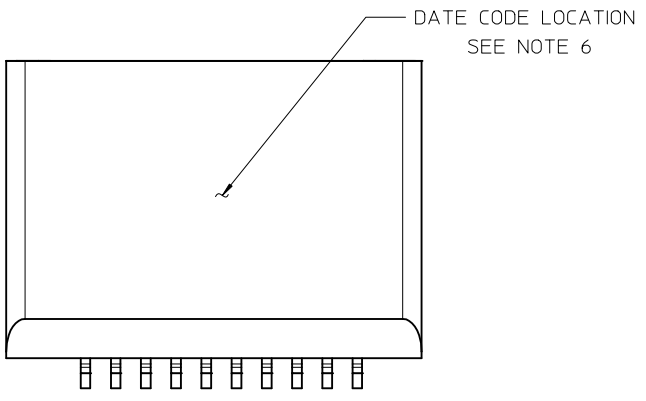
CKT SIZE	PART NUMBER	DESCRIPTION
20	170382-0001	PLATED PER NOTE 2
	170382-0002	PLATED PER NOTE 3
	170382-0003	PLATED PER NOTE 4



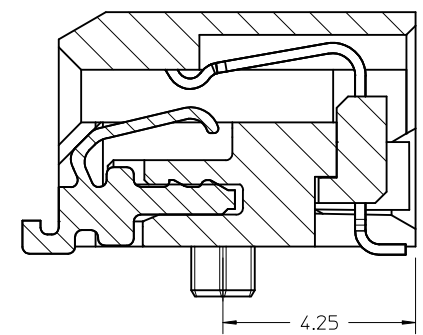
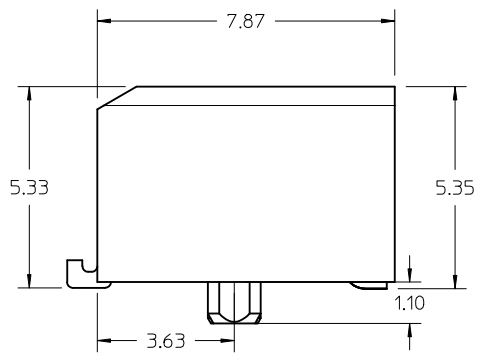
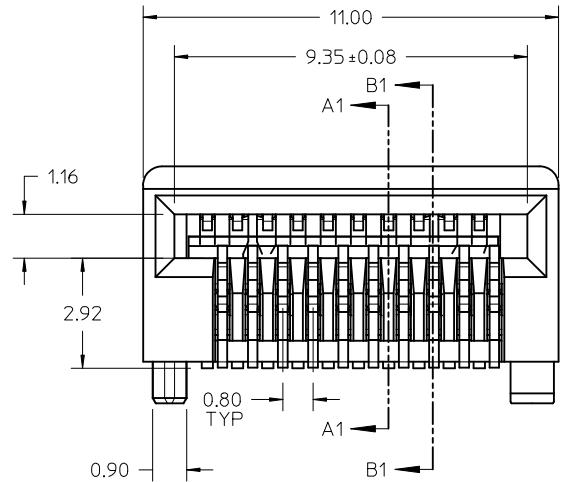
NOTES

- MATERIAL:
HOUSING - HIGH TEMPERATURE THERMOPLASTIC GLASS FILLED, UL 94V-0, BLACK
TERMINALS - COPPER ALLOY
- PLATING:
CONTACT AREA - 0.38 μm MIN GOLD OVER 2.54 μm MIN NICKEL
SOLDER FOOT AREA - 2.54 - 5.09 μm TIN OVER 2.54 μm MIN NICKEL.
- PLATING:
CONTACT AREA - 0.76 μm MIN GOLD OVER 2.54 μm NICKEL
SOLDER AREA - 2.54 - 5.09 μm TIN OVER 2.54 μm MIN NICKEL
- PLATING:
CONTACT AREA - 0.76 μm MIN GOLD OVER 2.54 μm NICKEL;
SOLDER AREA: GOLD FLASH OVER 2.54 μm MIN NICKEL.
- TERMINAL SOLDER FEET TO BE COPLANAR WITHIN 0.10
- DATE CODE: 4 DIGIT (3 DIGIT DATE, 1 DIGIT YEAR)

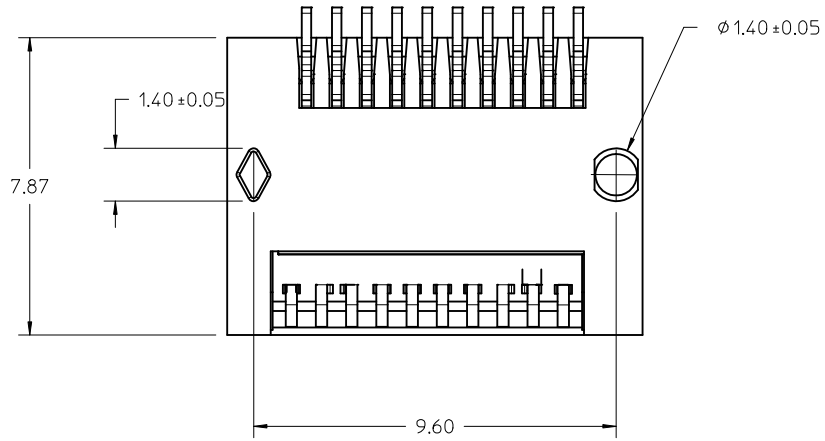
RELEASED EC NO: UCP2012-2043 DRWN: JANTELEZIO 2011/12/28 CHKD: APPR: MBANAKIS 2012/01/13	QUALITY SYMBOLS	GENERAL TOLERANCES (UNLESS SPECIFIED)	DIMENSION STYLE MM ONLY	SCALE 8:1	DESIGN UNITS METRIC	THIRD ANGLE PROJECTION
	▽=0	mm INCH	DRAWN BY DATE JGONZALEZ01 2010/05/05	TITLE ZSFP+ ASSEMBLY 20CKT SMT		
	▽=0	4 PLACES ± --- ± ---	CHECKED BY DATE JJANTELEZIO 2010/06/23			
	▽=0	3 PLACES ± --- ± ---	APPROVED BY DATE MBANAKIS 2010/07/15	MOLEX INCORPORATED DOCUMENT NO. SD-170382-001		
	2 PLACES ± 0.13 ± ---	MATERIAL NO.	SEE CHART			
	1 PLACE ± 0.25 ± ---	ANGULAR ± 1/2°	THIS DRAWING CONTAINS INFORMATION THAT IS PROPRIETARY TO MOLEX INCORPORATED AND SHOULD NOT BE USED WITHOUT WRITTEN PERMISSION			
		DRAFT WHERE APPLICABLE MUST REMAIN WITHIN DIMENSIONS				



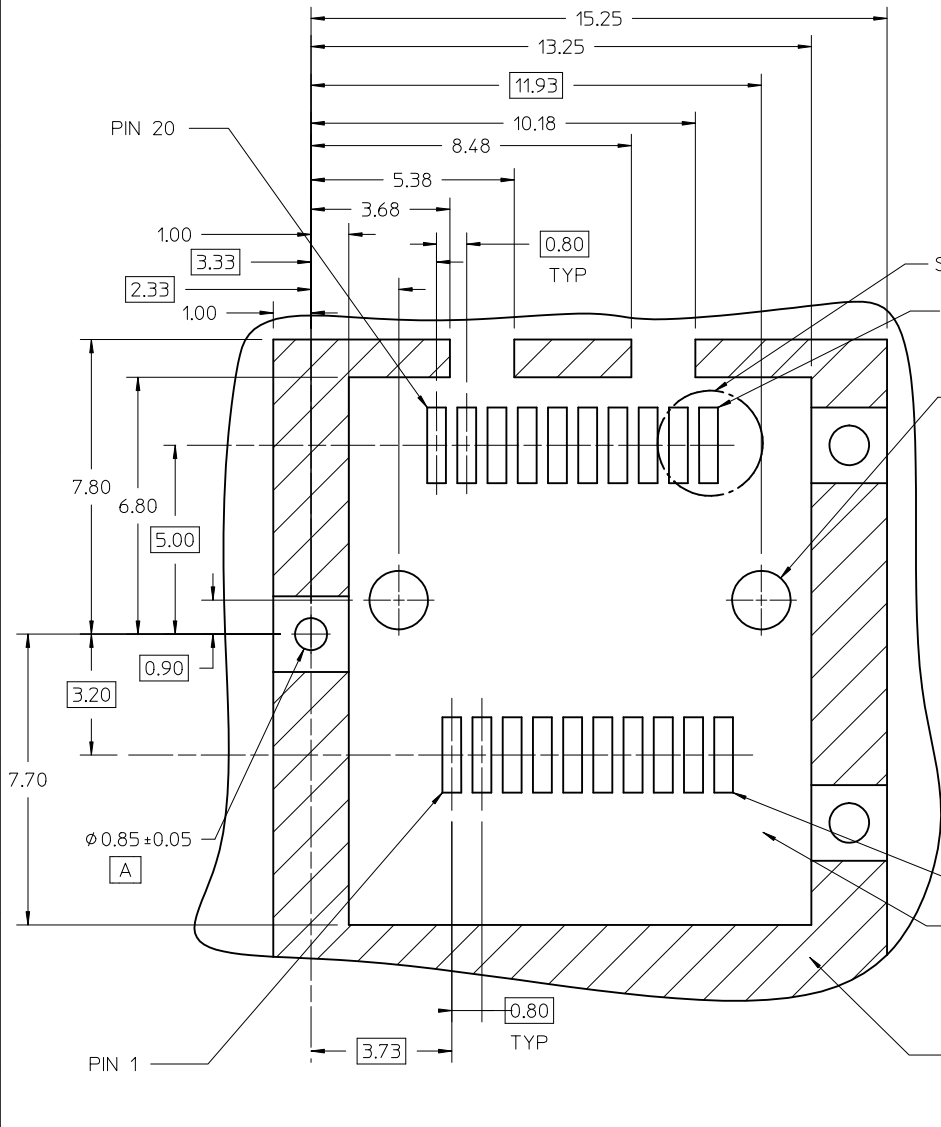
SECTION A1-A1
SCALE 12:1



SECTION B1-B1
SCALE 12:1



SEE SHEET 1 EC NO: UCP2012-2043 DRWN: JANTELEZIO 2011/12/28 CHKD: APPR: MBANAKIS 2012/01/13	DESCRIPTION REV	QUALITY SYMBOLS	GENERAL TOLERANCES (UNLESS SPECIFIED)	DIMENSION STYLE MM ONLY	SCALE 5:1	DESIGN UNITS METRIC	THIRD ANGLE PROJECTION
		▽=0	mm INCH	DRAWN BY DATE	TITLE		
		▽=0	4 PLACES ± --- ± ---	JGONZALEZ01 2010/05/05	ZSFP+ ASSEMBLY		
		▽=0	3 PLACES ± --- ± ---	CHECKED BY DATE	20CKT SMT		
		ANGULAR ±1/2°	2 PLACES ±0.13 ± ---	JJANTELEZIO 2010/06/23	MOLEX INCORPORATED DOCUMENT NO.		
			1 PLACE ±0.25 ± ---	APPROVED BY DATE			
				MBANAKIS 2010/07/15	SEE SHEET 1 SD-170382-001		
			DRAFT WHERE APPLICABLE MUST REMAIN WITHIN DIMENSIONS	SIZE	THIS DRAWING CONTAINS INFORMATION THAT IS PROPRIETARY TO MOLEX INCORPORATED AND SHOULD NOT BE USED WITHOUT WRITTEN PERMISSION		



SEE DETAIL A

PIN 11

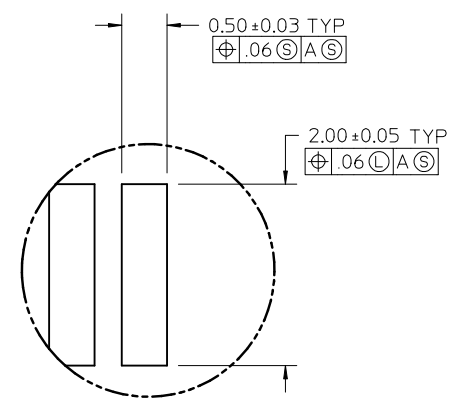
Ø 1.55 ± 0.05 2PLCS

⊕ Ø 0.1 ⓐ Ⓢ

PIN 10

THIS AREA DENOTES
COMPONENT KEEP-OUT
(TRACES ALLOWED)

CROSS HATCHED AREA DENOTES
COMPONENT AND TRACE KEEP-OUT
(EXCEPT CHASIS GROUND)



DETAIL A
SCALE 24:1

SEE SHEET 1 EC NO: UCP2012-2043 DRWN: J JANTELEZ10 2011/12/28 CHKD: APPR: MBANAKIS 2012/01/13	QUALITY SYMBOLS ▽=0 ▽=0 ▽=0	GENERAL TOLERANCES (UNLESS SPECIFIED)		DIMENSION STYLE MM ONLY		SCALE 10:1	DESIGN UNITS METRIC	THIRD ANGLE PROJECTION		
				DRAWN BY JGONZALEZ01	DATE 2010/05/05	TITLE ZSFP+ ASSEMBLY 20CKT SMT				
				CHECKED BY JJANTELEZ10	DATE 2010/06/23	MOLEX INCORPORATED DOCUMENT NO. SD-170382-001 SHEET NO. 3 OF 3				
				APPROVED BY MBANAKIS	DATE 2010/07/15					
		ANGULAR ±1/2°		MATERIAL NO.		SIZE		THIS DRAWING CONTAINS INFORMATION THAT IS PROPRIETARY TO MOLEX INCORPORATED AND SHOULD NOT BE USED WITHOUT WRITTEN PERMISSION		
		DRAFT WHERE APPLICABLE MUST REMAIN WITHIN DIMENSIONS				SEE SHEET 1				