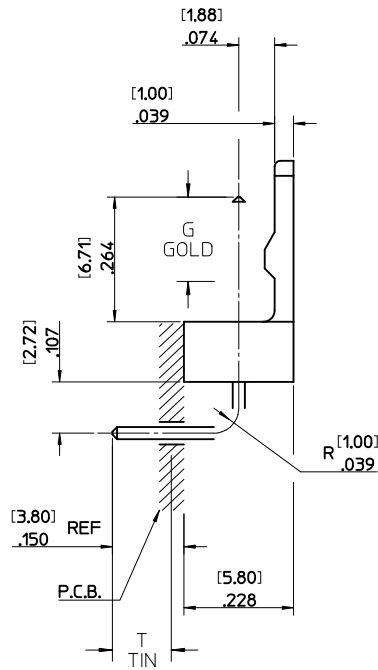


RECOMENDED P.C.B. BOARD



NOTES:-

1. MATERIALS:  
 WAFER: NYLON 6/6, UL 94, V-0, NATURAL COLOUR  
 PIN: [0.64]/0.25 BRASS
2. FINISH: SEE CHART
3. PRODUCT SPECIFICATION: PS-99020-0088
4. PACKAGING SPECIFICATION: PK-7478-001
5. WAFERS STACKABLE END TO END
6. PIN SOLDERABILITY PER MOLEX SPECIFICATION SMES-152
7. PIN PUSH OUT FORCE [0.907 KG]/2.0 LBS MIN.
8. PARTS TO BE FLAT WITHIN 0.005 mm/mm or .005 IN/IN
9. THIS PART CONFORMS TO CLASS B REQUIREMENTS OF COSMETIC SPECIFICATION PS-45499-002.