

MATERIAL AND FINISHES:

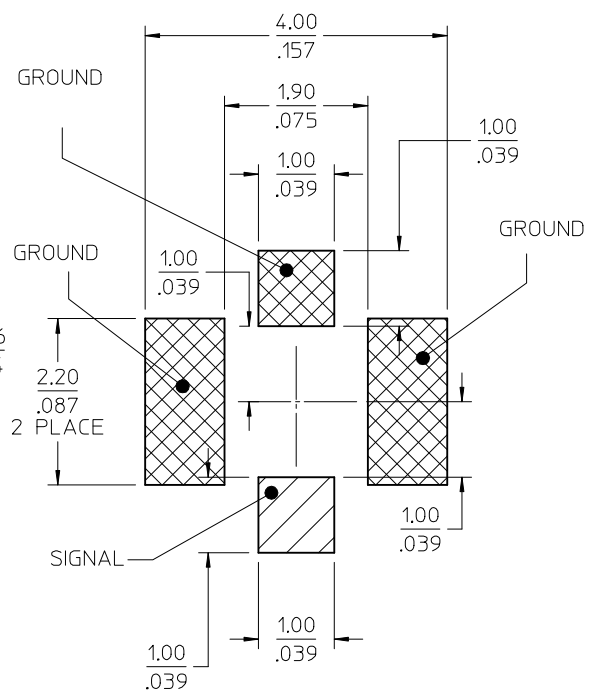
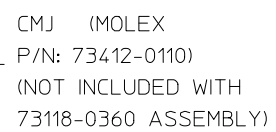
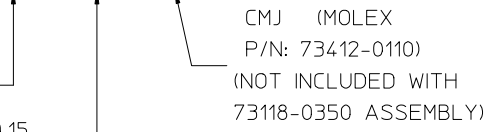
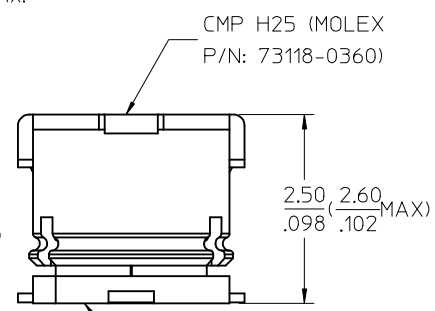
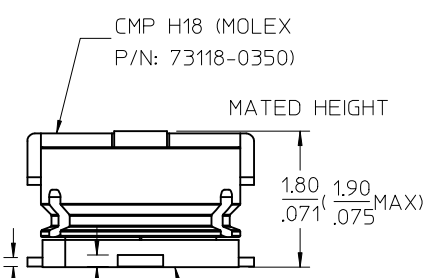
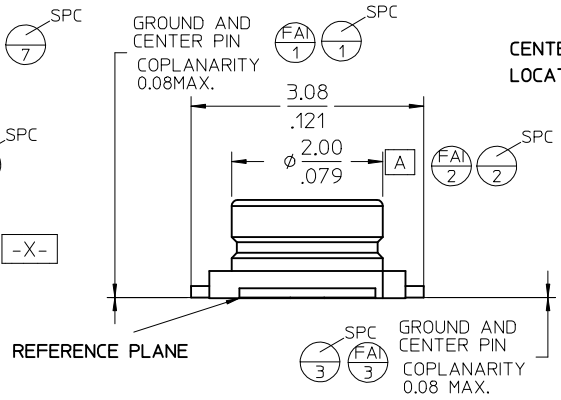
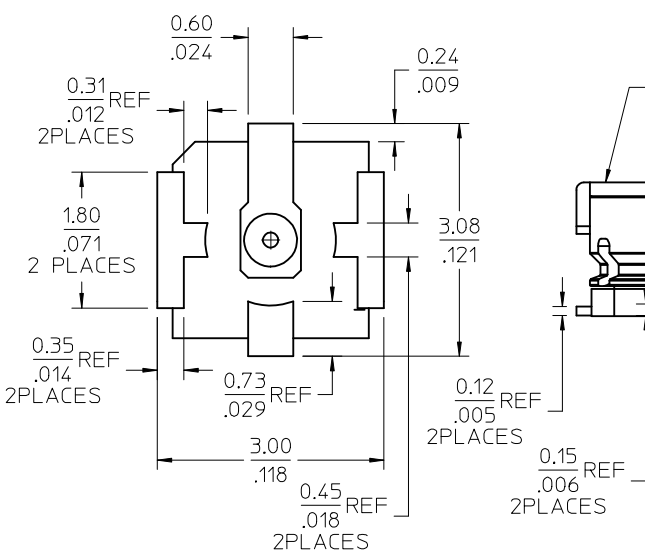
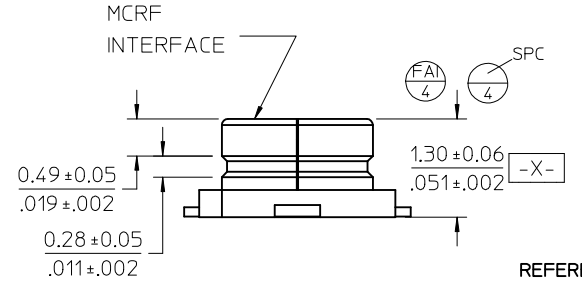
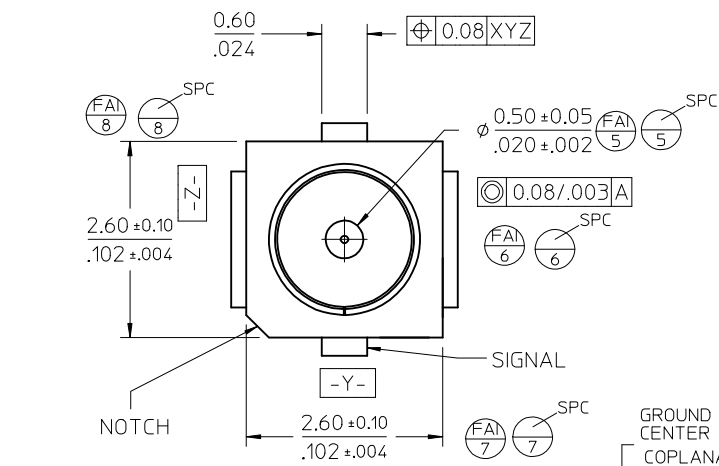
BASE: LCP SIVERAS L304T40B

CONTACT: BRASS
 C2680 (t=0.15)
 PLATED: GOLD (0.03 MICROMETER MINIMUM) OVER
 NICKEL (1~4 MICROMETER)

OUTER CONTACT: PHOSPHOR BRONZE(JIS 5191-SH)
 C5210(t=0.12)
 PLATED: GOLD (0.03 MICROMETER MINIMUM) OVER
 NICKEL (1~4 MICROMETER)

WILL WITHSTAND REFLOW
 TEMPERATURE OF
 260 DEG C 40 SEC MAXIMUM

VSWR
 DC-3GHz: 1.18 MAX
 DC-6GHz: 1.30 MAX



73412-0114	TAPE AND REEL(1K/REEL)
73412-0112	73412-0110,10 PIECES PER BAG IN TAPE
73412-0110	TAPE AND REEL(5K/REEL)
PART NO.	PACKAGING

CHG:1ADD SOLDER PAD DIM.	DESCRIPTION
ZMCRF INTERFACE WAS	
UFL INTERFACE	
EC NO: URF2016-0017	2015/07/13
DRWN:YCHENG	
CHKD:	
APPR:YCHENG	2015/07/23

QUALITY SYMBOLS	GENERAL TOLERANCES (UNLESS SPECIFIED)
▽=0	mm INCH
▽=0	4 PLACES ± --- ± ---
	3 PLACES ± --- ± ---
	2 PLACES ± 0.25 ± ---
	1 PLACE ± 0.13 ± ---
	ANGULAR ± 2 °

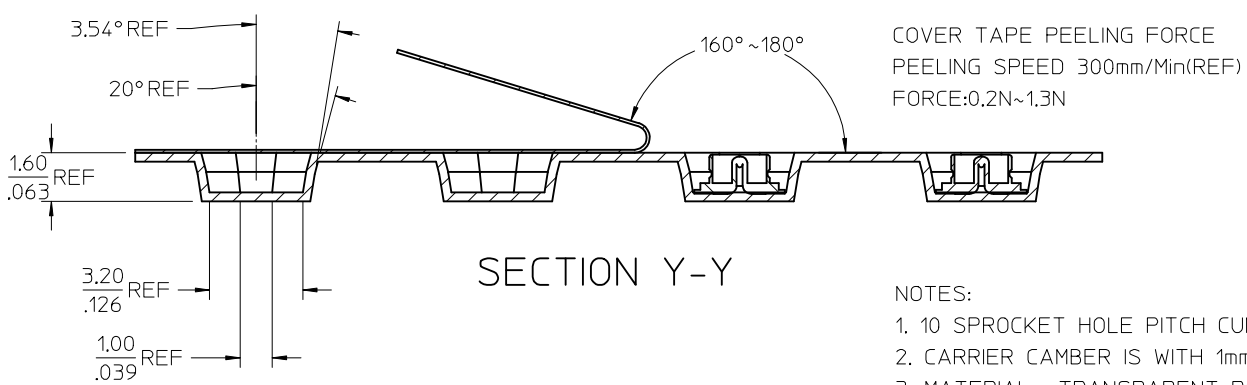
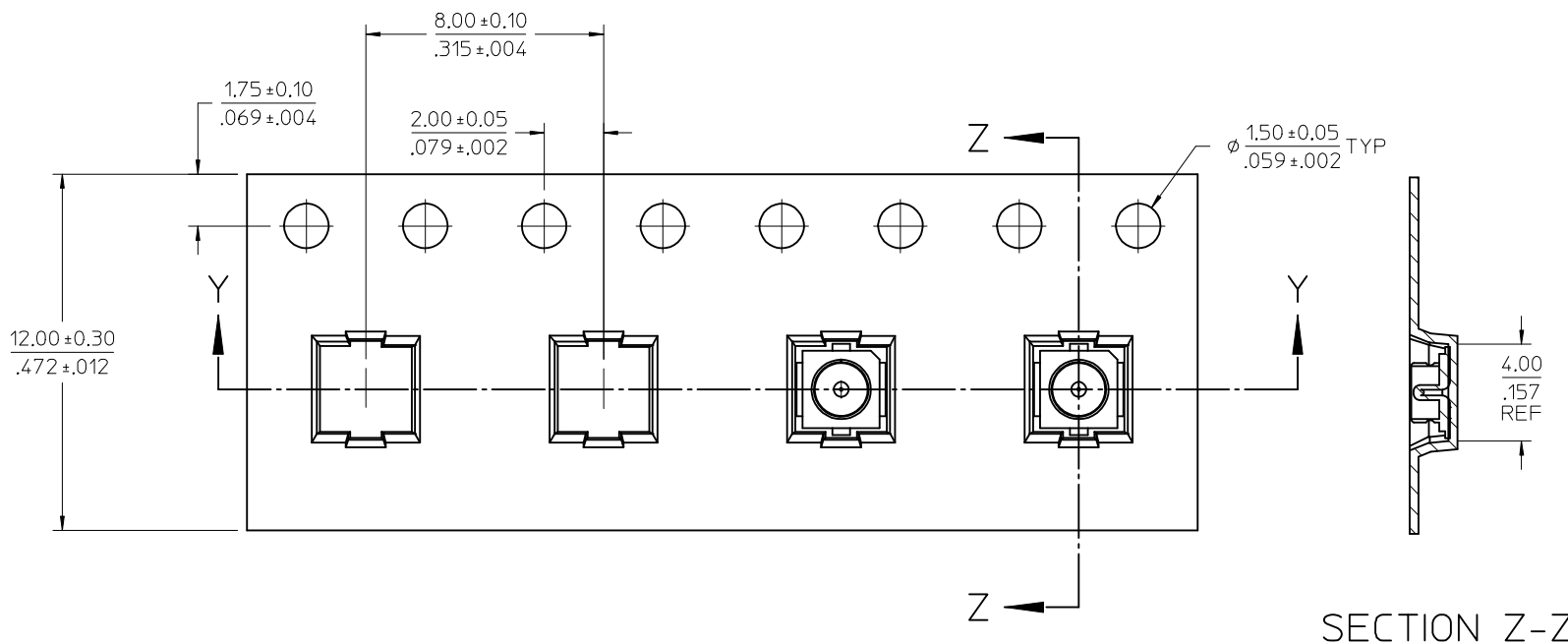
DIMENSION STYLE		SCALE	DESIGN UNITS	THIRD ANGLE PROJECTION
MM/IN			METRIC	
DRAWN BY	DATE	TITLE		
DARRY	2003/1/27	MCRF RECEPTACLE VERTICAL MCRF-J		
CHECKED BY	DATE	MOLEX INCORPORATED		
JOHNSON	2003/1/27	SD-73412-011		
APPROVED BY	DATE	SHEET NO.		
MHUANG	2010/11/28	1 OF 3		

PS-73598-0210	PROD SPEC
SPECIFICATION	DESCRIPTION

DRAFT WHERE APPLICABLE MUST REMAIN WITHIN DIMENSIONS

SEE TABLE

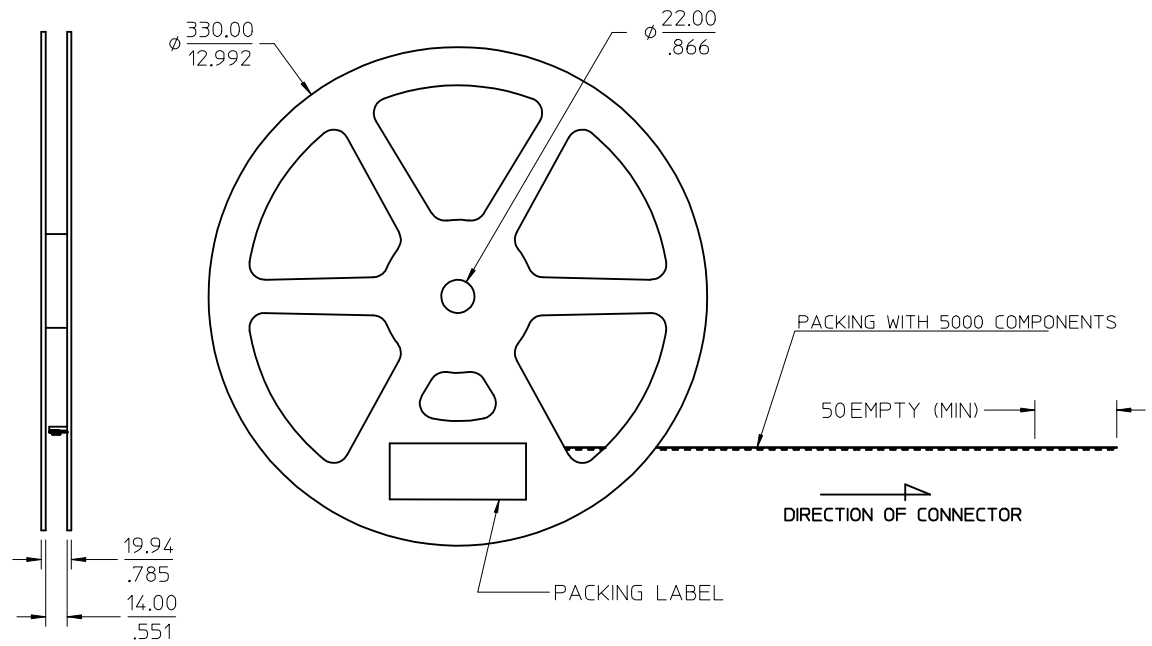
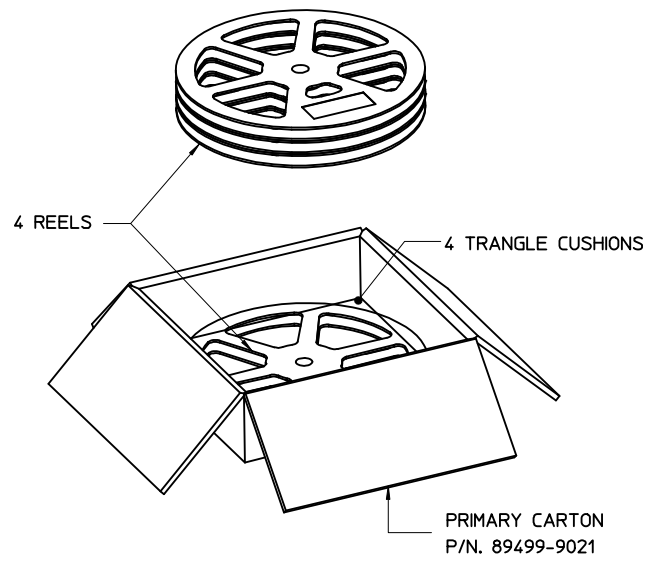
THIS DRAWING CONTAINS INFORMATION THAT IS PROPRIETARY TO MOLEX INCORPORATED AND SHOULD NOT BE USED WITHOUT WRITTEN PERMISSION



COVER TAPE PEELING FORCE
 PEELING SPEED 300mm/Min(REF)
 FORCE:0.2N~1.3N

- NOTES:
- 10 SPROCKET HOLE PITCH CUMULATIVE TOLERANCE ±0.20mm
 - CARRIER CAMBER IS WITH 1mm IN 250mm
 - MATERIAL : TRANSPARENT POLYSTYRENE
 - ALL DIMENSIONS MEET EIA-481-1 REQUIREMENT
 - COMPONENT LOAD PER 13" REEL (5,000 PCS),
COMPONENT LOAD PER 7" REEL (1,000 PCS),

CHG: SEE SHEET 1 E.C. NO: URF2016-0017 DRAWN: CHENG 2015/07/13 CHKD: APPR: YCHENG 2015/07/23 DESCRIPTION	QUALITY SYMBOLS	GENERAL TOLERANCES (UNLESS SPECIFIED)	DIMENSION STYLE	SCALE	DESIGN UNITS	THIRD ANGLE PROJECTION														
	$\nabla=0$ $\nabla=0$	<table border="1"> <tr> <th></th> <th>mm</th> <th>INCH</th> </tr> <tr> <td>4 PLACES</td> <td>± ---</td> <td>± ---</td> </tr> <tr> <td>3 PLACES</td> <td>± ---</td> <td>± ---</td> </tr> <tr> <td>2 PLACES</td> <td>± 0.25</td> <td>± ---</td> </tr> <tr> <td>1 PLACE</td> <td>± 0.13</td> <td>± ---</td> </tr> </table>		mm	INCH	4 PLACES	± ---	± ---	3 PLACES	± ---	± ---	2 PLACES	± 0.25	± ---	1 PLACE	± 0.13	± ---	MM/IN	METRIC	
		mm	INCH																	
	4 PLACES	± ---	± ---																	
3 PLACES	± ---	± ---																		
2 PLACES	± 0.25	± ---																		
1 PLACE	± 0.13	± ---																		
<table border="1"> <tr> <td>DRAWN BY</td> <td>DARRY</td> <td>DATE</td> <td>2003/1/27</td> </tr> <tr> <td>CHECKED BY</td> <td>JOHNSON</td> <td>DATE</td> <td>2003/1/27</td> </tr> <tr> <td>APPROVED BY</td> <td>MHUANG</td> <td>DATE</td> <td>2010/11/28</td> </tr> </table>	DRAWN BY	DARRY	DATE	2003/1/27	CHECKED BY	JOHNSON	DATE	2003/1/27	APPROVED BY	MHUANG	DATE	2010/11/28	TITLE MCRF RECEPTACLE VERTICAL MCRF-J							
DRAWN BY	DARRY	DATE	2003/1/27																	
CHECKED BY	JOHNSON	DATE	2003/1/27																	
APPROVED BY	MHUANG	DATE	2010/11/28																	
DRAFT WHERE APPLICABLE MUST REMAIN WITHIN DIMENSIONS	MATERIAL NO. SEE SHEET 1	DOCUMENT NO. SD-73412-011	SHEET NO. 2 OF 3																	



CHG:SEE SHET1 EC NO: URF2016-0017 DRAWN:YCHENG 2015/07/13 CHKD: APPR:YCHENG 2015/07/23	QUALITY SYMBOLS ▽=0 ▽=0 ▽=0	GENERAL TOLERANCES (UNLESS SPECIFIED)		DIMENSION STYLE MM/IN		SCALE	DESIGN UNITS METRIC	THIRD ANGLE PROJECTION	
		4 PLACES ± --- ± ---	3 PLACES ± --- ± ---	2 PLACES ± 0.25 ± ---	1 PLACE ± 0.13 ± ---	0 PLACE ± ±	ANGULAR ± 2 °	DRAFT WHERE APPLICABLE MUST REMAIN WITHIN DIMENSIONS	
REV C14	DESCRIPTION	DRAWN BY DARRY		DATE 2003/1/27		TITLE MCRF RECEPTACLE VERTICAL MCRF-J		MATERIAL NO. SEE SHEET1	
		CHECKED BY JOHNSON		DATE 2003/1/27		DOCUMENT NO. SD-73412-011		SHEET NO. 3 OF 3	
		APPROVED BY MHUANG		DATE 2010/11/28		THIS DRAWING CONTAINS INFORMATION THAT IS PROPRIETARY TO MOLEX INCORPORATED AND SHOULD NOT BE USED WITHOUT WRITTEN PERMISSION			