

MATERIAL AND FINISHES:

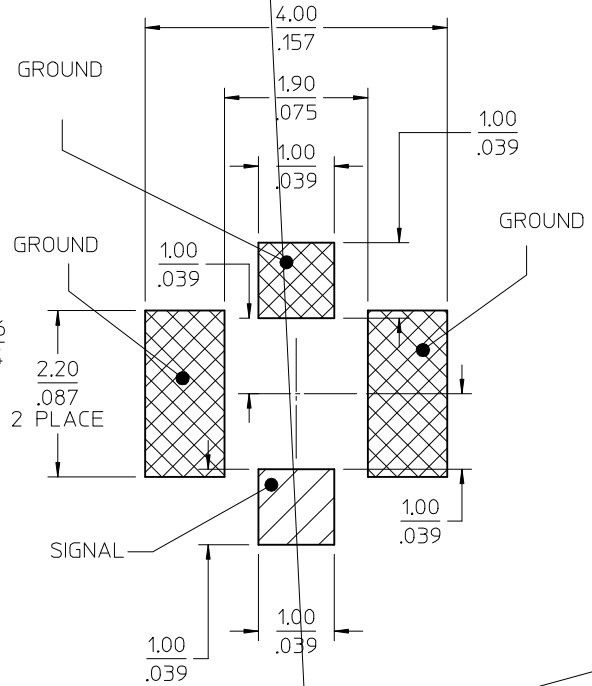
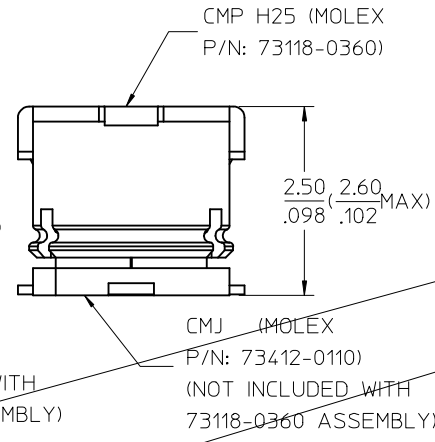
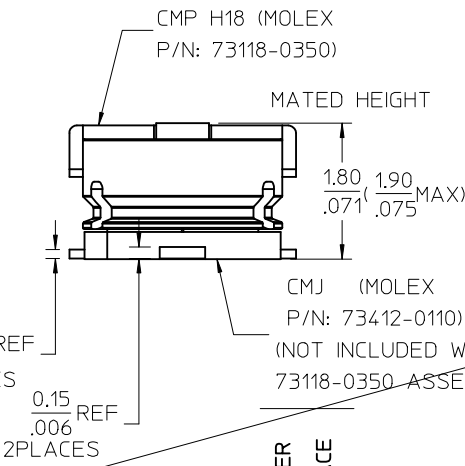
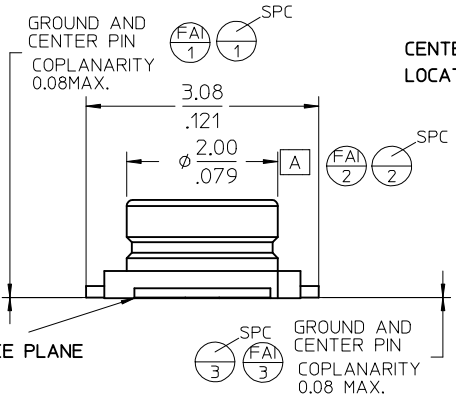
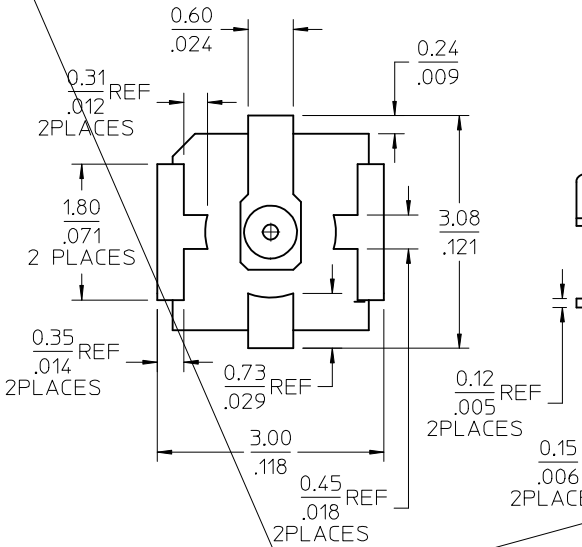
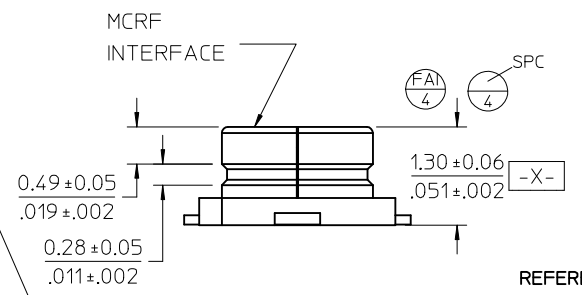
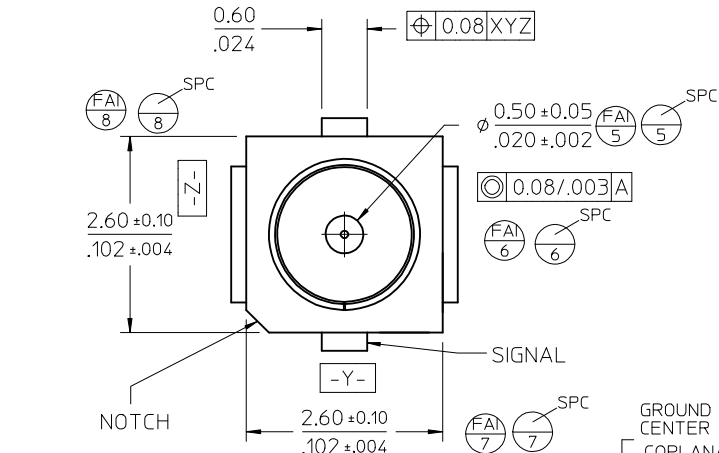
BASE: LCP SIVERAS L304T40B

CONTACT: BRASS  
 C2680 (t=0.15)  
 PLATED: GOLD (0.03 MICROMETER MINIMUM) OVER  
 NICKEL (1~4 MICROMETER)

OUTER CONTACT: PHOSPHOR BRONZE (JIS 5191-SH)  
 C5210 (t=0.12)  
 PLATED: GOLD (0.03 MICROMETER MINIMUM) OVER  
 NICKEL (1~4 MICROMETER)

WILL WITHSTAND REFLOW  
 TEMPERATURE OF  
 260 DEG C 40 SEC MAXIMUM

VSWR  
 DC-3GHz: 1.18 MAX  
 DC-6GHz: 1.30 MAX



73412-0114	TAPE AND REEL (1K/REEL)
73412-0112	73412-0110, 10 PIECES PER BAG IN TAPE
73412-0110	TAPE AND REEL (5K/REEL)
PART NO.	PACKAGING

PS-73598-0240  
 PROD SPEC  
 DE

CHG:1ADD SOLDER  
 PAD DIM.  
 2/MCRF INTERFACE  
 WAS  
 UFL INTERFACE