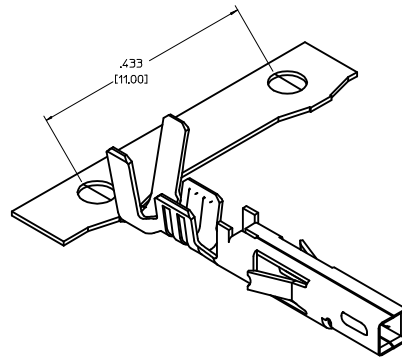
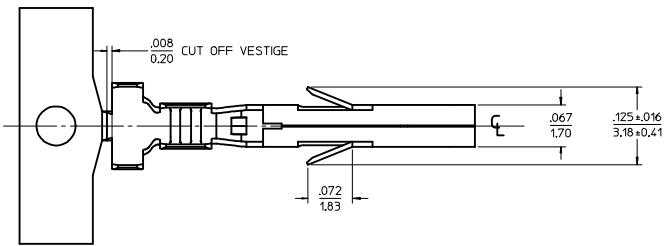


ITEM NO.	FORM	WIRE GAGE	DIM. "B"	DIM. "C"	DIM. "D"	DIM. "E"	DIM. "F"	DIM. "G"
460182541	CHAIN	22-24	.09±.012 (2.30±0.30)	.09±.016 (2.30±0.40)	.024 (0.60)	.07±.012 (1.80±0.30)	.065±.016 (1.65±0.40)	.016 (0.40)
460181541	CHAIN	18-20	.142±.012 (3.60±0.30)	.177±.016 (4.50±0.40)	.035 (0.90)	.075±.012 (1.90±0.30)	.09±.016 (2.30±0.40)	.020 (0.50)
460183541	CHAIN	16	.142±.012 (3.60±0.30)	.177±.016 (4.50±0.40)	.035 (0.90)	.09±.012 (2.30±0.30)	.106±.016 (2.70±0.40)	.024 (0.60)



- NOTES:
- MATERIAL: COPPER ALLOY .0080(0.203) THICK
 - FINISH:
 - .000030/.00076 MIN. SELECT GOLD IN CONTACT AREA AND .000100/.00254 MIN. SELECT MATTE TIN IN CRIMP AREA OVER .000050/.00127 MIN. NICKEL OVERALL.
 PROPRIETARY MOLEX ADVANCED CONTACT SURFACE FINISH (CSF) IN CONTACT AREA.
 - PRODUCT SPECIFICATION: PS-46018-004
 - PACKAGING INFORMATION: PK-46018-001 FOR CHAIN TERMINALS
 - MATES WITH: MALE TERMINAL SERIES 46012 AND HEADERS 46011, 44068, 42404, 43810, 46014, 5569, 46015, 30070.
 - TERMINAL FOR USE WITH 5557, 42474, 44516, 43760, AND 30067 SERIES HOUSINGS.
 - WHEN TERMINALS ARE INSTALLED IN THE HOUSING, THE WIRES ARE TO BE DRESSED IN SUCH A MANNER TO ALLOW THE TERMINALS TO FLOAT FREELY IN THE POCKET.
 - THIS TERMINAL IS DESIGNED FOR SINGLE WIRE CRIMPING.
 - THIS PART CONFORMS TO CLASS B REQUIREMENTS OF COSMETIC SPEC PS-45499-002.



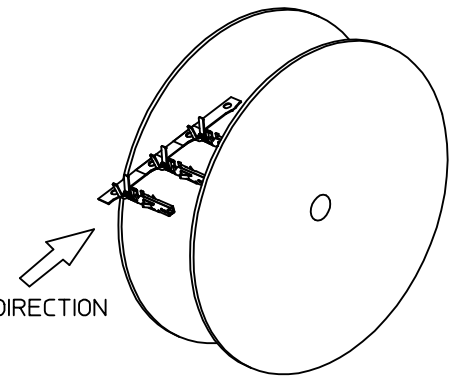
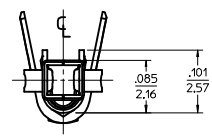
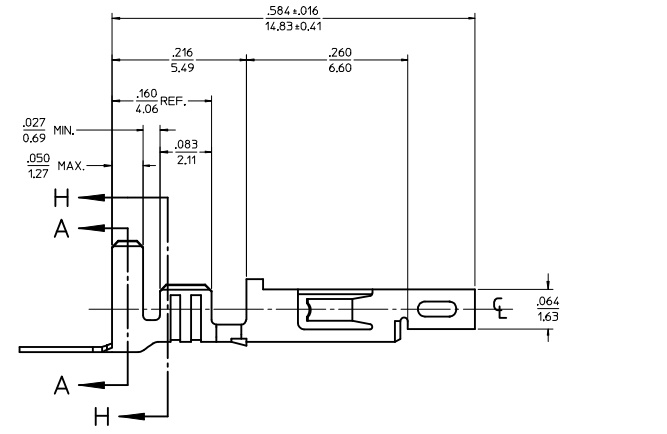
LEGEND

46018*54*

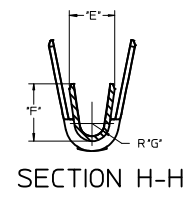
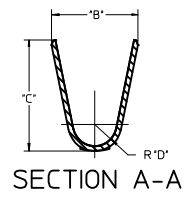
BASE NUMBER

WIRE GAGE
1 = 18-20
2 = 22-24
3 = 16

FORM
1 = CHAIN



RoHS COMPLIANT



CHANGE TITLE LEC NO: UCP2013-5276 DRAWN BY: DRWNBANDERSON CHKD: J.BELL APPROV: S.MITH	DATE 2014/04/08 2014/04/04 2014/04/09	DESCRIPTION	QUALITY SYMBOLS ▽=0 ▽=0 ▽=0	GENERAL TOLERANCES (UNLESS SPECIFIED)		DIMENSION STYLE IN/MM		SCALE 10:1	DESIGN UNITS INCH	THIRD ANGLE PROJECTION
				mm	INCH	DRAWN BY TGREGORI	DATE 2005-08-17	TITLE FEMALE CRIMP TERMINAL MINI-FIT PLUS HIGH MATING CYCLE(46018)		
DRAFT WHERE APPLICABLE MUST REMAIN WITHIN DIMENSIONS				ANGULAR ±1/2°		SEE CHART		MATERIAL NO. SD-46018-001		SHEET NO. 1 OF 1
THIS DRAWING CONTAINS INFORMATION THAT IS PROPRIETARY TO MOLEX INCORPORATED AND SHOULD NOT BE USED WITHOUT WRITTEN PERMISSION										