

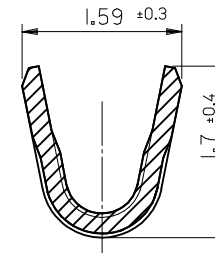
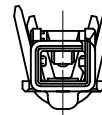
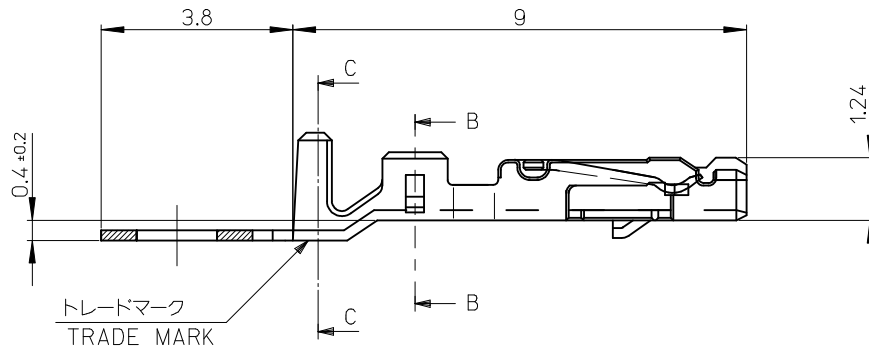
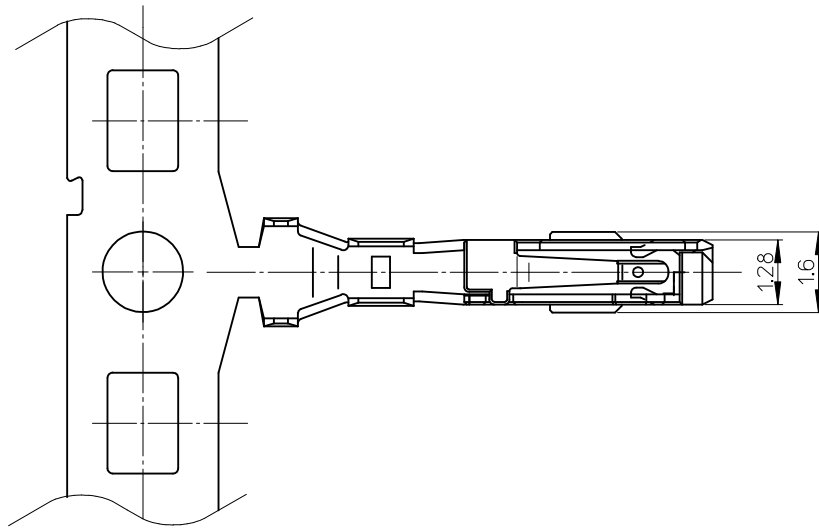
注記
NOTES

1. 使用材料 : 銅合金, 錫メッキ (t=0.2)
MATERIAL : REFLOWED TIN COPPER ALLOY
2. 適合ハウジング : 501646 シリーズ
APPLICABLE HOUSING : 501646 SERIES
3. 電線仕様
CABLE SPEC.
AWG : #22~26
適用電線範囲 : 0.126~0.34mm²
WIRE RANGE
被覆外形 : $\Phi 0.95 \sim \Phi 1.5\text{mm}$
INS. RANGE

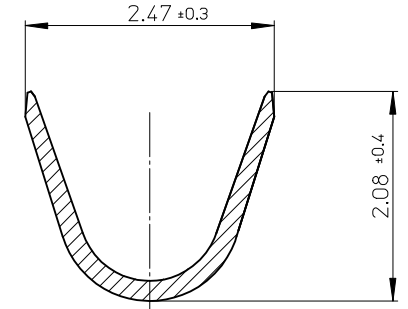
4. 嵌合相手 MATES WITH

PLUG ST HEADER (TIN PLATING)	501645 SERIES
PLUG R/A HEADER (TIN PLATING)	501876 SERIES

5. ELV 及び RoHS 適合品
ELV AND RoHS COMPLIANT.



SECTION B-B
(SCALE:20-1)



SECTION C-C
(SCALE:20-1)

501647-1100	バラ状 LOOSE
501647-1000	連鎖状 CHAIN
MATERIAL NO.	端子形状 FORM

REVISED EC NO: J2017-0032 DRWN: AIDA 2016/07/04 CHKD: SAKIYAMA 2016/07/04 APPR: IKANEKO 2016/07/12	GENERAL TOLERANCES (UNLESS SPECIFIED)			DIMENSION STYLE MM ONLY		SCALE 10:1	DESIGN UNITS METRIC	THIRD ANGLE PROJECTION
	0.25 UNDER	UNDER	±0.03	DRAWN BY N. ITO	DATE '05/07/04	TITLE IGRID 2.0MM W/B DUAL RCPT TERM AWG #22 - 26 molex DOCUMENT NO. SD-501647-001 SHEET NO. 1 OF 1		
	0.25 OVER	0.5 UNDER	±0.05	CHECKED BY ASAKAWA	DATE '05/07/04			
	0.5 OVER	1.0 UNDER	±0.1	APPROVED BY ICHIKAWA	DATE '05/07/04			
	1.0 OVER	10 UNDER	±0.2	MATERIAL NO. 501647-1*00				
10 OVER	30 UNDER	±0.25	SIZE A3					
30 OVER		±0.3	DRAFT WHERE APPLICABLE MUST REMAIN WITHIN DIMENSIONS			THIS DRAWING CONTAINS INFORMATION THAT IS PROPRIETARY TO MOLEX ELECTRONIC TECHNOLOGIES, LLC AND SHOULD NOT BE USED WITHOUT WRITTEN PERMISSION		
ANGULAR	±1 °							