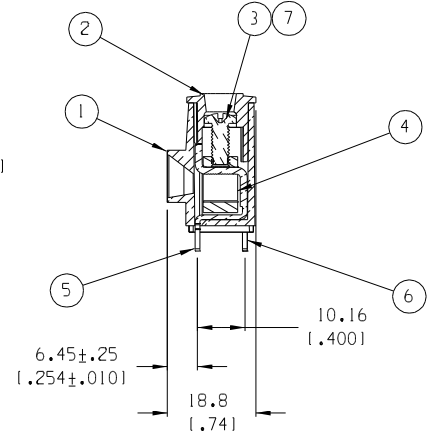
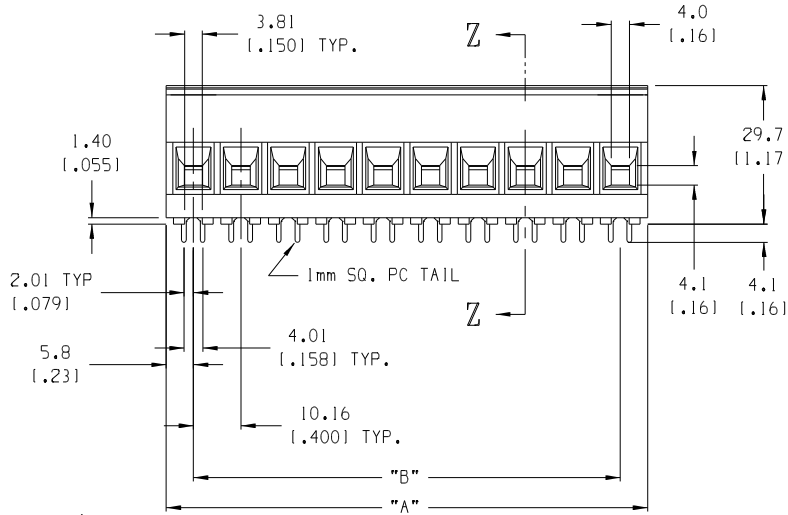
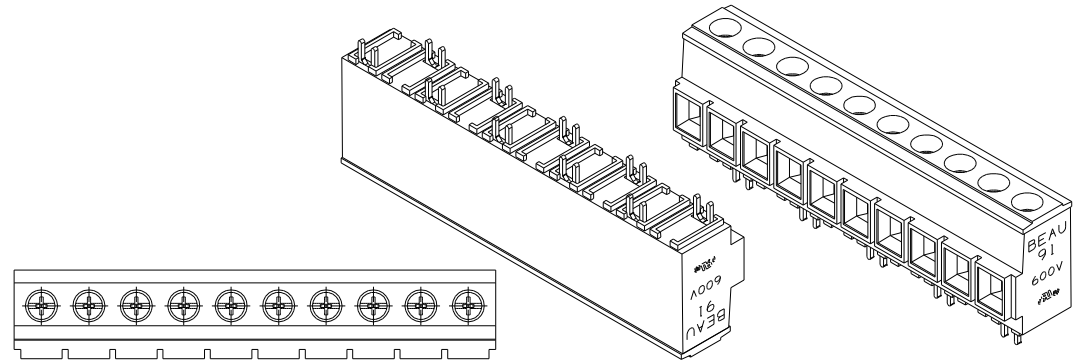


NOTES:

1. MATERIAL: SEE TABLE
2. FINISHES: SEE TABLE
3. PRODUCT SPECIFICATION: NOT REQUIRED
4. PACKAGING: NOT REQUIRED
5. MATES WITH: NONE
6. PART IS DESIGNED TO MEET UL 1059 CLASS C 600V, 40A
7. STAGGERED PC TAIL POSITION ON ALTERNATE CIRCUITS
8. "XX" REFERS TO NUMBER OF CIRCUITS
9. FOR OPTIONAL IMPRINTING, REFER TO SD-38120-005



SECTION Z-Z

ITEM	QTY.	DESCRIPTION	MATERIAL	FINISH
7	XX	SCREW, M4, #2 POZI-SLOT, ST. STEEL	ST. STEEL	TIN
6	A/R	REAR TERMINAL	COPPER	TIN
5	A/R	FRONT TERMINAL	COPPER	TIN
4	XX	CAGE	BRASS	NICKEL
3	XX	SCREW, M4, #2 POZI-SLOT, BRONZE	BRONZE	TIN
2	1	COVER	THERMOPLASTIC	BLACK
1	1	BODY	THERMOPLASTIC	BLACK

ECN# 4261
 DRN: RK 10-7-05
 CHK:
 APPR:

DESCRIPTION
 REV

QUALITY SYMBOLS
 MAJOR
 CRITICAL

GENERAL TOLERANCES: (UNLESS SPECIFIED)	
mm	INCH
4 PLACES	±.0015
3 PLACES	±.005
2 PLACES	±.13 ±.01
1 PLACE	±.3
ANGULAR: ±2°	

SCALE 1:1
 DESIGN UNITS mm INCH
 DRAWN BY & DATE R.STONE 9-13-00
 CHECKED BY & DATE R.KEMP 9-13-02
 APPROVED BY & DATE L. ROTHHAUS 9-27-02
 CAD FILENAME 9135XX

PROJECT NO. -
 DIMENSIONS: mm INCH mm ONLY
 THIRD ANGLE PROJECTION
 TITLE: SR BTS 8 AWG ASSY, 600V 40 A
MOLEX INCORPORATED
 MATERIAL NO. SEE CHART
 DRAWING NO. SD-39910-002
 SHEET NO. 1 OF 2

DRAFT WHERE APPLICABLE MUST REMAIN WITHIN DIMENSIONS
 THIS DRAWING CONTAINS INFORMATION THAT IS PROPRIETARY TO MOLEX INCORPORATED AND SHOULD NOT BE USED WITHOUT WRITTEN PERMISSION.
 SIZE B

