

SECTION Z-Z

NOTE:
 1.MATERIAL:
 HOUSING : LCP - UL94V-0, COLOR: BLACK
 CONTACTS : COPPER ALLOY
 LOCK LEVER : STAINLESS STEEL

2.FINISHES:
 CONTACT AREA : REFER TABLE IN SHEET 6.
 SOLDER TAIL AREA : REFER TABLE IN SHEET 6.
 LOCK LEVER SOLDER PAD : 100 MICRINCH / 2.54 MICROMETER MATTE TIN OVER 50 MICRINCH / 1.27 MICROMETER NICKEL.

3.RECOMMENDED MODULE LAYOUT SHALL BE AS PER JEDEC MO-268

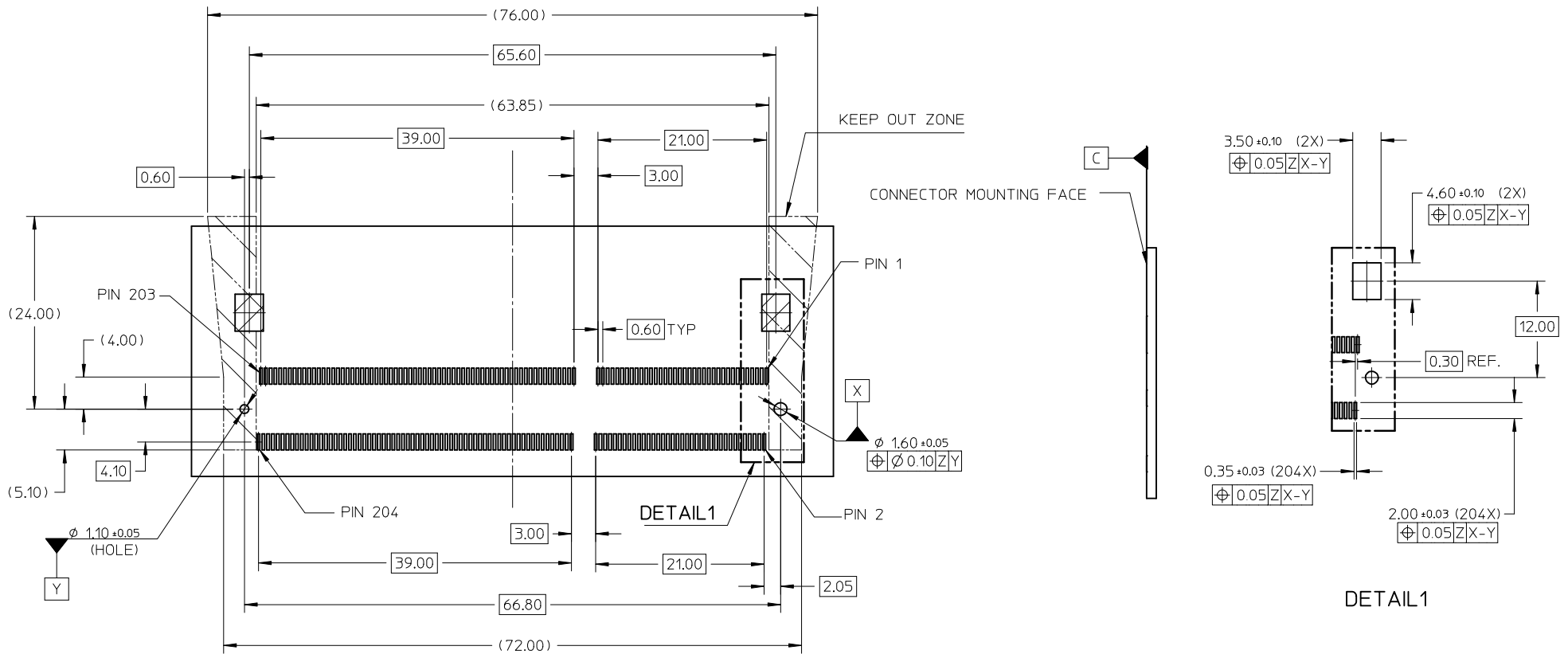
4.PRODUCT SPECIFICATION : REFER TABLE IN SHEET 6

5.PACKAGING SPECIFICATION: PART SHALL BE PACKED IN TRAY OR TAPE AND REEL.

- 6.EDGE OF CONTACT PADS SHALL BE FREE OF BURRS AND EXTERNAL TIE BARS.
- 7.THE ADDITION OF THIS BEVEL IS A FABRICATION OPTION AND IS NOT REQUIRED. THE BEVEL AIDS THE INSERTION OF THE MODULES INTO THE CONNECTOR. THE BEVEL MUST NOT ENCORACH ONTO GOLD OADS.
- 8.COPLANARITY INCLUDES HOLD DOWN 0.1 MAX.

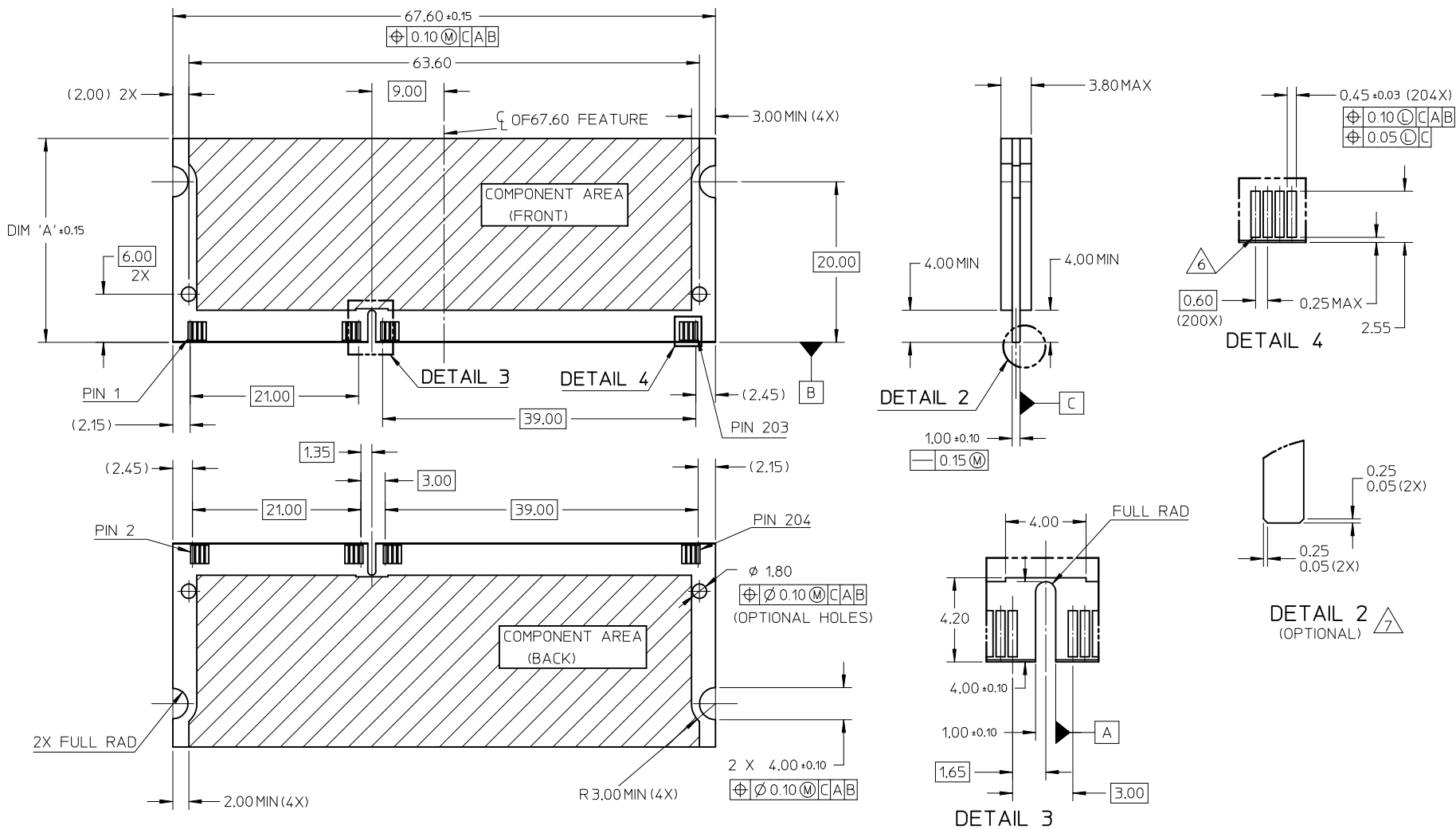
CUST REQ DIM ADD EC NO: S2010-0146 DRWN:VMANICKAM CHKD:CCTEH APPR:SHLENI	2009/08/18 2009/08/20 2009/08/20	QUALITY SYMBOLS ▽=0 ◻=0	GENERAL TOLERANCES (UNLESS SPECIFIED)		DIMENSION STYLE	SCALE	DESIGN UNITS	THIRD ANGLE PROJECTION		
					MM ONLY	NTS	METRIC			
			mm	INCH	DRAWN BY	DATE	TITLE			
			4 PLACES	± ---	± ---	CMTEO	2007/03/16	DDR3 SO DIMM		
3 PLACES	± ---	± ---	CHECKED BY	DATE	204 CKTS, 5.2MM HEIGHT					
2 PLACES	± 0.2	± ---	VMANICKAM	2007/04/23	REVERSE ORIENTATION					
1 PLACE	± ---	± ---	APPROVED BY	DATE	MOLEX INCORPORATED					
ANGULAR ± 1 °				SHLENI	2007/04/23	DOCUMENT NO.		SHEET NO.		
DRAFT WHERE APPLICABLE MUST REMAIN WITHIN DIMENSIONS		SIZE		SEE TABLE		SD-78279-001		1 OF 6		
		A3		THIS DRAWING CONTAINS INFORMATION THAT IS PROPRIETARY TO MOLEX INCORPORATED AND SHOULD NOT BE USED WITHOUT WRITTEN PERMISSION						

RECOMMENDED PCB LAYOUT



CUST REQ DIM ADD EC NO: S2010-0146 DRWN:VMANICKAM 2009/08/18 CHKD:CCTEH 2009/08/20 APPR:SHLENI 2009/08/20	QUALITY SYMBOLS ▽=0 ◻=0	GENERAL TOLERANCES (UNLESS SPECIFIED)		DIMENSION STYLE MM ONLY		SCALE NTS	DESIGN UNITS METRIC	THIRD ANGLE PROJECTION		
			mm	INCH	DRAWN BY	DATE	TITLE			
		4 PLACES	± ---	± ---	CMTEO	2007/03/16	DDR3 SO DIMM 204 CKTS, 5.2MM HEIGHT REVERSE ORIENTATION			
		3 PLACES	± ---	± ---	CHECKED BY	DATE				
2 PLACES	± 0.2	± ---	VMANICKAM	2007/04/23	MOLEX INCORPORATED					
1 PLACE	± ---	± ---	APPROVED BY	DATE						
	ANGULAR ± 1 °		SHLENI	2007/04/23	DOCUMENT NO.		SD-78279-001			
DRAFT WHERE APPLICABLE MUST REMAIN WITHIN DIMENSIONS		SEE TABLE		MATERIAL NO.		SHEET NO.		2 OF 6		
				THIS DRAWING CONTAINS INFORMATION THAT IS PROPRIETARY TO MOLEX INCORPORATED AND SHOULD NOT BE USED WITHOUT WRITTEN PERMISSION						

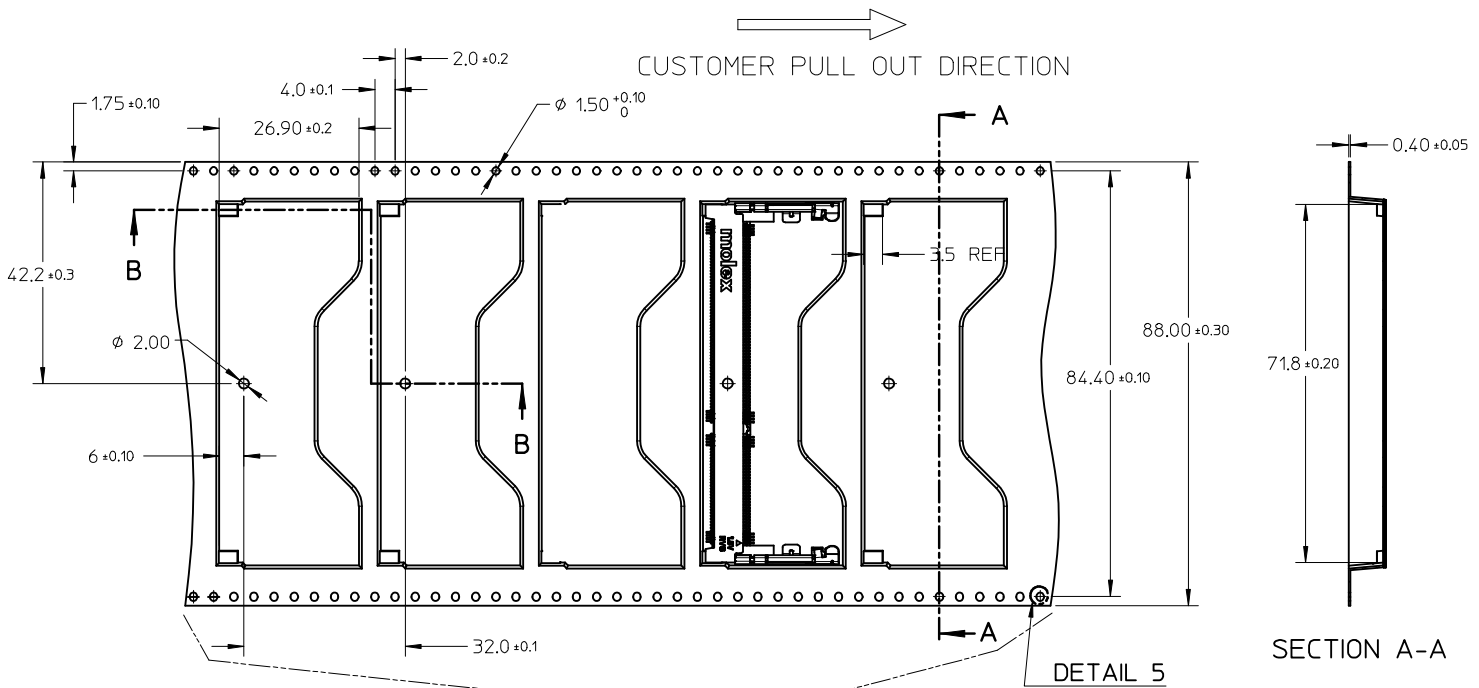
RECOMMENDED MATING PCB CONFIGURATION



SDRAM VARIATION FROM JEDEC MO-268			
	AA	BB	CC
DIM 'A'	25.40	31.75	30.00

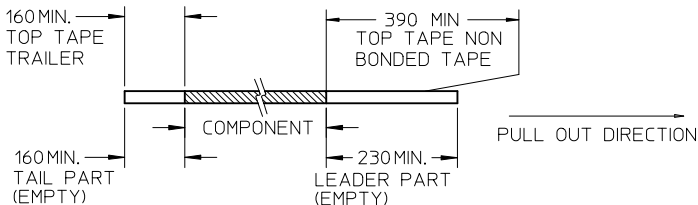
CUST REQ DIM ADD EC NO: S2010-0146 DRWN:VMANICKAM 2009/08/18 CHKD:CCTEH 2009/08/20 APPR:SHLENI 2009/08/20	QUALITY SYMBOLS	GENERAL TOLERANCES (UNLESS SPECIFIED) mm INCH 4 PLACES ± --- ± --- 3 PLACES ± --- ± --- 2 PLACES ± 0.2 ± --- 1 PLACE ± --- ± --- ANGULAR ± 1 °	DIMENSION STYLE	SCALE	DESIGN UNITS	THIRD ANGLE PROJECTION	
			MM ONLY	NTS	METRIC		
			DRAWN BY	DATE	TITLE		
			CHECKED BY	DATE	DDR3 SO DIMM 204 CKTS, 5.2MM HEIGHT REVERSE ORIENTATION		
	APPROVED BY	DATE	MOLEX INCORPORATED MOLEX				
	MATERIAL NO.		DOCUMENT NO.			SHEET NO.	
	SEE TABLE		SD-78279-001			3 OF 6	
	DRAFT WHERE APPLICABLE MUST REMAIN WITHIN DIMENSIONS		THIS DRAWING CONTAINS INFORMATION THAT IS PROPRIETARY TO MOLEX INCORPORATED AND SHOULD NOT BE USED WITHOUT WRITTEN PERMISSION				

10 9 8 7 6 5 4 3 2 1

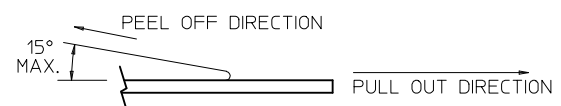


NOTES:

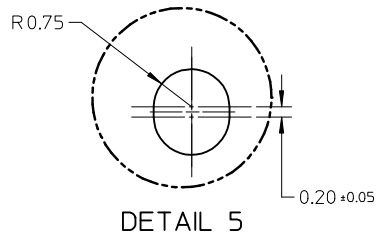
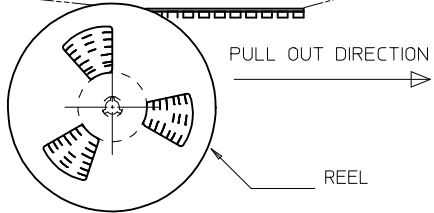
1. LEADER AND TRAILER TAPE



2. PEELING OFF FORCE OF THE TOP TAPE: 10 - 150gf. (PEELING DIRECTION AS SHOWN IN FOLLOWING FIGURE)



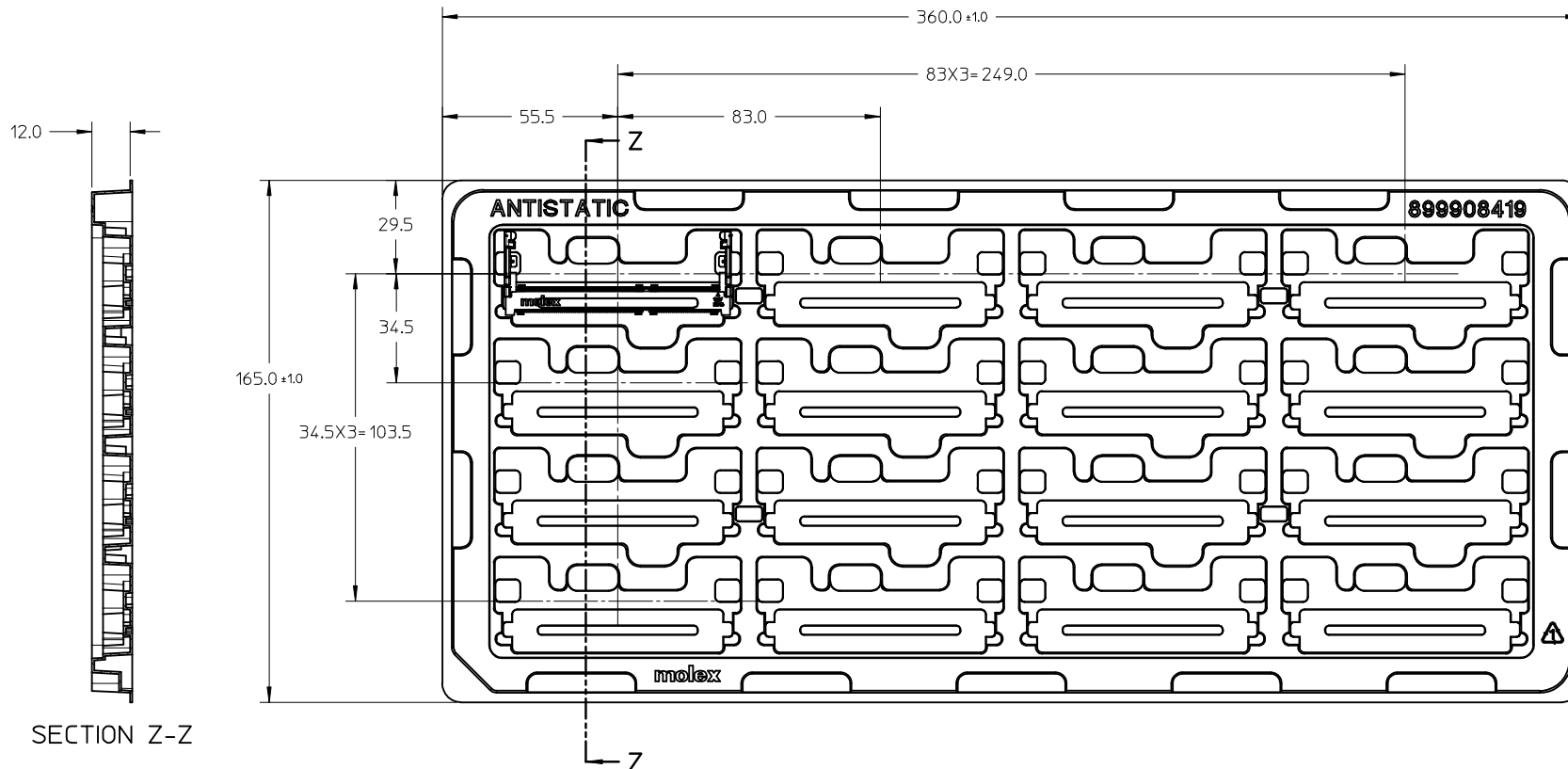
- 3. TAPE AND REEL SPECIFICATION IS AS PER EIA-481.
- 4. TAPE AND REEL QUANTITY : 200 PCS/ REEL.
- 5. THE TAPE IS TREATED FOR ANTI-STATIC.



CUST REQ DIM ADD EC NO: S2010-0146 DRWN:VMANICKAM 2009/08/18 CHKD:CCTEH 2009/08/20 APPR:SHLENI 2009/08/20	QUALITY SYMBOLS ▽=0 ◻=0	GENERAL TOLERANCES (UNLESS SPECIFIED)		DIMENSION STYLE	SCALE	DESIGN UNITS	THIRD ANGLE PROJECTION	
		mm	INCH	MM ONLY	NTS	METRIC		
		4 PLACES	± ---	± ---	DRAWN BY	DATE	TITLE	
		3 PLACES	± ---	± ---	CMTEO	2007/03/16	DDR3 SO DIMM	
2 PLACES	± 0.2	± ---	CHECKED BY	DATE	204 CKTS, 5.2MM HEIGHT			
1 PLACE	± ---	± ---	VMANICKAM	2007/04/23	REVERSE ORIENTATION			
ANGULAR ± 1 °		APPROVED BY		DATE	MOLEX INCORPORATED			
DRAFT WHERE APPLICABLE MUST REMAIN WITHIN DIMENSIONS		MATERIAL NO.		SHLENI	2007/04/23	DOCUMENT NO.		
		SIZE		SEE TABLE		SD-78279-001		
		THIS DRAWING CONTAINS INFORMATION THAT IS PROPRIETARY TO MOLEX INCORPORATED AND SHOULD NOT BE USED WITHOUT WRITTEN PERMISSION						SHEET NO.
								4 OF 6

9 8 7 6 5 4 3 2 1

10 9 8 7 6 5 4 3 2 1



SECTION Z-Z

NOTES:

- 1. NO OF CAVITY : 4 X 4 = 16
- 2. UNSPECIFIED TOLERANCE FOR TRAY ±0.5

CUST REQ DIM ADD EC NO: S2010-0146 DRWN:VMANICKAM 2009/08/18 CHKD:CCTEH 2009/08/20 APPR:SHLENI 2009/08/20	DESCRIPTION REV	QUALITY SYMBOLS	GENERAL TOLERANCES (UNLESS SPECIFIED)	DIMENSION STYLE	SCALE	DESIGN UNITS	THIRD ANGLE PROJECTION	
		▼=0 □=0	mm INCH 4 PLACES ± --- ± --- 3 PLACES ± --- ± --- 2 PLACES ± 0.2 ± --- 1 PLACE ± --- ± --- ANGULAR ± 1 °	MM ONLY	NTS	METRIC	☉ □ THIRD ANGLE PROJECTION	
			DRAFT WHERE APPLICABLE MUST REMAIN WITHIN DIMENSIONS	DRAWN BY: CMTEO DATE: 2007/03/16 CHECKED BY: VMANICKAM DATE: 2007/04/23 APPROVED BY: SHLENI DATE: 2007/04/23	TITLE	DDR3 SO DIMM 204 CKTS, 5.2MM HEIGHT REVERSE ORIENTATION		
		B4		SEE TABLE	MATERIAL NO. DOCUMENT NO.	MOLEX INCORPORATED SD-78279-001		

SIZE A3 THIS DRAWING CONTAINS INFORMATION THAT IS PROPRIETARY TO MOLEX INCORPORATED AND SHOULD NOT BE USED WITHOUT WRITTEN PERMISSION

9 8 7 6 5 4 3 2 1

PART NO	CONTACT AREA FINISH	SOLDER TAIL FINISH	PACKAGING	PRODUCT SPECIFICATION
78279-0001	3µN GOLD OVER 50µN/1.27µM NICKEL	100 MICROINCH /2.54 MICROMETER MATTE TIN OVER 50 MICEOINCH / 1.27 MICROMETER.	TRAY (360X165MM)	PS-78279-003
78279-1501	15µN/0.38µM GOLD OVER 50µN/1.27µM NICKEL			PS-78279-002
78279-3001	30µN/0.76µM GOLD OVER 50µN/1.27µM NICKEL			PS-78279-001
78279-0002	3µN GOLD OVER 50µN/1.27µM NICKEL	GOLD FLASH OVER 50µN/1.27µM NICKEL.		PS-78279-003
78279-1502	15µN/0.38µM GOLD OVER 50µN/1.27µM NICKEL			PS-78279-002
78279-3002	30µN/0.76µM GOLD OVER 50µN/1.27µM NICKEL			PS-78279-001
78279-0011	3µN GOLD OVER 50µN/1.27µM NICKEL	100 MICROINCH /2.54 MICROMETER MATTE TIN OVER 50 MICEOINCH / 1.27 MICROMETER.	TAPE&REEL	PS-78279-003
78279-1511	15µN/0.38µM GOLD OVER 50µN/1.27µM NICKEL			PS-78279-002
78279-3011	30µN/0.76µM GOLD OVER 50µN/1.27µM NICKEL			PS-78279-001
78279-0012	3µN GOLD OVER 50µN/1.27µM NICKEL	GOLD FLASH OVER 50µN/1.27µM NICKEL.		PS-78279-003
78279-1512	15µN/0.38µM GOLD OVER 50µN/1.27µM NICKEL			PS-78279-002
78279-3012	30µN/0.76µM GOLD OVER 50µN/1.27µM NICKEL			PS-78279-001

CUST REQ DIM ADD EC NO: S2010-0146 DRWN:VMANICKAM 2009/08/18 CHKD:CCTEH 2009/08/20 APPR:SHLENI 2009/08/20	DESCRIPTION REV	QUALITY SYMBOLS	GENERAL TOLERANCES (UNLESS SPECIFIED)	DIMENSION STYLE MM ONLY	SCALE NTS	DESIGN UNITS METRIC	THIRD ANGLE PROJECTION	
		▼=0 □=0	mm INCH 4 PLACES ± --- ± --- 3 PLACES ± --- ± --- 2 PLACES ± 0.2 ± --- 1 PLACE ± --- ± --- ANGULAR ± 1 °	DRAWN BY DATE CMTEO 2007/03/16 CHECKED BY DATE VMANICKAM 2007/04/23 APPROVED BY DATE SHLENI 2007/04/23	TITLE DDR3 SO DIMM 204 CKTS, 5.2MM HEIGHT REVERSE ORIENTATION			
			DRAFT WHERE APPLICABLE MUST REMAIN WITHIN DIMENSIONS	MATERIAL NO. SEE TABLE	MOLEX INCORPORATED		DOCUMENT NO. SD-78279-001	SHEET NO. 6 OF 6
		B4		SIZE A3	THIS DRAWING CONTAINS INFORMATION THAT IS PROPRIETARY TO MOLEX INCORPORATED AND SHOULD NOT BE USED WITHOUT WRITTEN PERMISSION			