

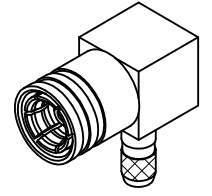
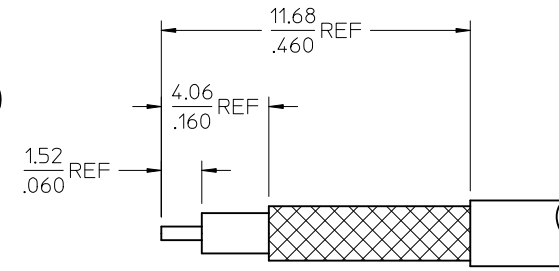
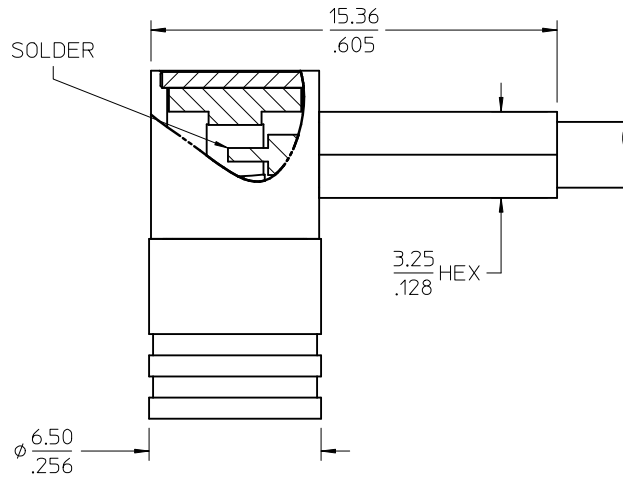
MATERIALS AND FINISHES

BODY, FERRULE, CAP: BRASS  
PLATED GOLD

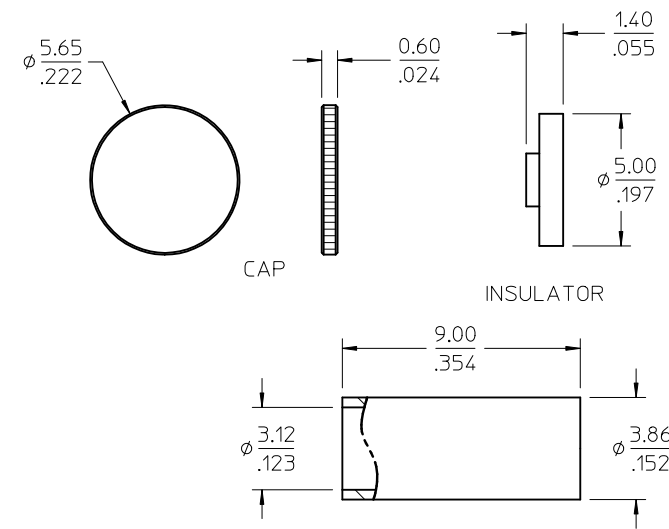
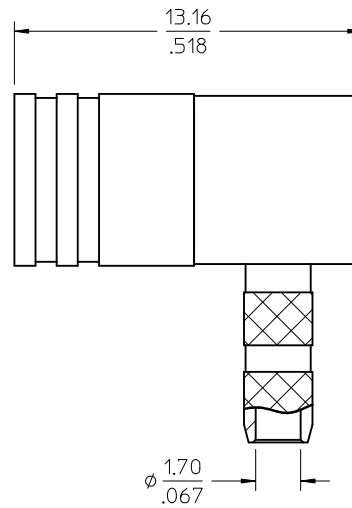
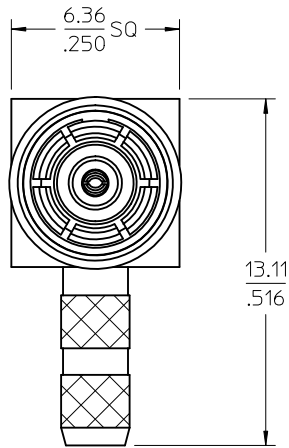
CENTER CONTACT: BERYLLIUM COPPER  
PLATED GOLD

INSULATOR: TEFLON

RETAINING RING: BERYLLIUM COPPER



RECOMMENDED STRIP DIMENSIONS



73396-0610	SMALL TRAY PACKING
73404-2320	73100-0257, ONE PER BAG
73100-0257	BULK
PART NO.	PACKAGING

PS-89675-3540	ELECTRO/MECH. PERFORM.
SPECIFICATION	DESCRIPTION

CHG: UPDATE VIEWS  
PS WAS 73598-0099  
DELETE  
AS-73597-0063

EC NO: URF2011-0323  
DRWN: JWIENER 2010/12/06  
CHKD: JSS 2010/12/06  
APPR: JWIENER 2010/12/07

DESCRIPTION

REV: B4

QUALITY SYMBOLS

GENERAL TOLERANCES (UNLESS SPECIFIED)

	mm	INCH
4 PLACES	± .005	± .0005
3 PLACES	± .003	± .0003
2 PLACES	± .002	± .0002
1 PLACE	± .001	± .0001

ANGULAR ± .005°

DRAFT WHERE APPLICABLE MUST REMAIN WITHIN DIMENSIONS

DIMENSION STYLE	SCALE	DESIGN UNITS	THIRD ANGLE PROJECTION
MM/IN	METRIC	METRIC	
DRAWN BY	DATE	TITLE	
FIELDS	1995/08/29	SMB PLUG R/A 50 OHM RG-316 CABLE SMB-PC/RA	
CHECKED BY	DATE		
APPROVED BY	DATE		
JWIENER	2010/12/07		
MATERIAL NO.	DOCUMENT NO.		
SEE TABLE	SD-73100-0257		
SIZE	THIS DRAWING CONTAINS INFORMATION THAT IS PROPRIETARY TO MOLEX INCORPORATED AND SHOULD NOT BE USED WITHOUT WRITTEN PERMISSION		SHEET NO. 1 OF 1