

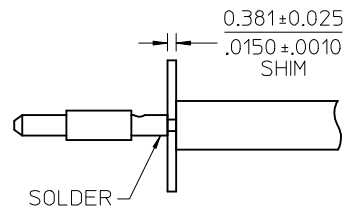
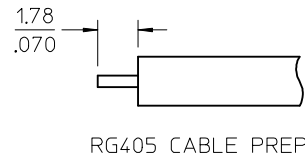
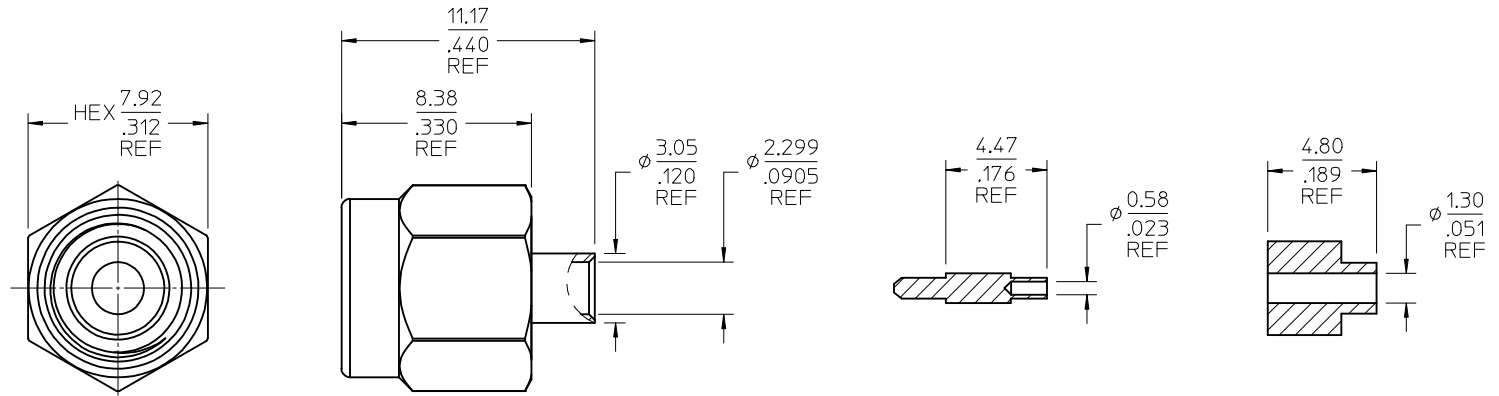
MATERIALS AND FINISHES

COUPLING NUT: SEE TABLE  
PLATED SEE TABLE

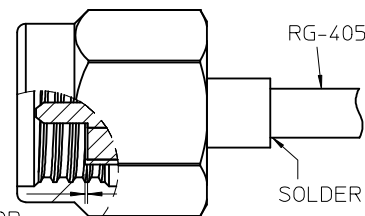
BODY:  
-0051 THRU -0058 STAINLESS STEEL  
-6530 STAINLESS STEEL  
-0059 BRASS  
PLATED SEE TABLE

CENTER CONTACT: BRASS  
PLATED GOLD

INSULATOR: PTFE

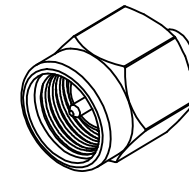


0.13 ± 0.13  
0.005 ± 0.005  
CONTACT & INSULATOR



SLIP CONTACT/CABLE INTO SMA ASSEMBLY TO DIMENSION SHOWN.  
SOLDER CABLE TO SMA ASSEMBLY.

PRESS INSULATOR INTO BODY TO DIMENSION SHOWN.



73251-6531	BULK (100 COUNT)	BODY 5 u" GOLD	BRASS, GOLD
73251-6530	BULK (100 COUNT)	BODY 1-3 u" GOLD	STAINLESS STEEL, PASSIVATED
73251-0059	BULK (100 COUNT)	BODY 1-3 u" GOLD	BRASS, GOLD
73251-0058	73251-0053 BULK PACK (100 PC)	BODY 30 u" GOLD	STAINLESS STEEL, PASSIVATED
73251-0057	73251-0051 BULK PACK (100 PC)	BODY 10 u" GOLD	STAINLESS STEEL, PASSIVATED
73251-0056	BULK (100 COUNT)	BODY 8 u" GOLD	STAINLESS STEEL, GOLD
73251-0055	BULK (100 COUNT)	BODY 10 u" GOLD	BRASS, GOLD
73251-0054	INDIVIDUAL BAGS	BODY 10 u" GOLD	BRASS, GOLD
73251-0053	INDIVIDUAL BAGS	BODY 30 u" GOLD	STAINLESS STEEL, PASSIVATED
73251-0052	73251-0051 BY TRAY (20 CAV.)	BODY 10 u" GOLD	STAINLESS STEEL, PASSIVATED
73251-0051	INDIVIDUAL BAGS	BODY 10 u" GOLD	STAINLESS STEEL, PASSIVATED
PART NO.	PACKAGING	FINISH	COUPLING NUT, MATERIAL/FINISH

PS-89675-346	ELECTRO/MECH PERF	CHG:ADD -6531 PER PDR16012156 EC NO: URF2017-0030 DRW:RYEH 2016/07/14 CHKD: APPR:YCHENG 2016/07/21	QUALITY SYMBOLS ▽=0 ▽=0 ▽=0	GENERAL TOLERANCES (UNLESS SPECIFIED) mm INCH 4 PLACES ± --- ± --- 3 PLACES ± --- ± .010 2 PLACES ± 0.25 ± --- 1 PLACE ± --- ± --- 0 PLACE ± ±	DIMENSION STYLE MM/IN DRAWN BY DATE NBJ 1997/12/01 CHECKED BY DATE DHG 1997/12/01 APPROVED BY DATE GMH 1997/12/01	SCALE 6:1	DESIGN UNITS INCH	THIRD ANGLE PROJECTION	TITLE SMA PLUG ST 50 OHM RG405, EWR-1981 SMA-PC <b>molex</b>	MATERIAL NO. SEE TABLE	DOCUMENT NO. SD-73251-005	SHEET NO. 1 OF 1
MIL-STD-348A, FIG. 310-1	INTERFACE											
SPECIFICATION	DESCRIPTION											