

MATERIALS AND FINISHES

BODY: STAINLESS STEEL  
PLATED GOLD

COUPLING NUT: STAINLESS STEEL  
PASSIVATED (-0071 & -0072)  
GOLD (-0073)

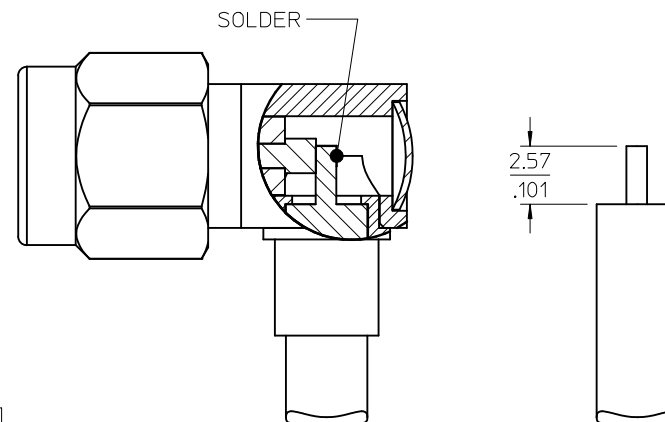
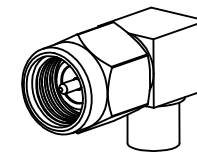
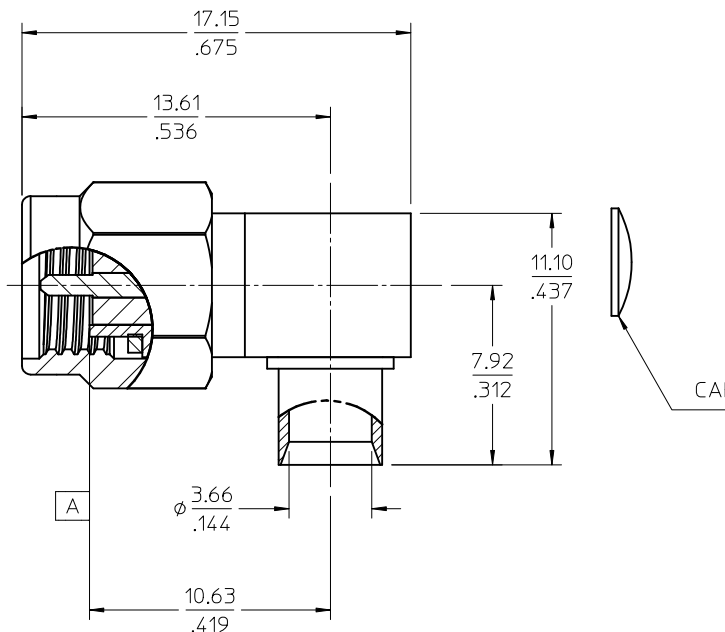
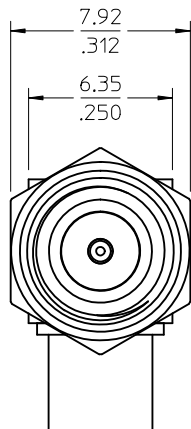
CONTACT: BRASS  
PLATED GOLD

INSULATOR: TEFLON

GASKET: SILICONE RUBBER

CRING: BERYLLIUM COPPER

CAP: BRASS  
PLATED GOLD



PS-89675-3460	PRODUCT SPECIFICATION
MIL-STD-348A, FIG. 310-1	INTERFACE
SPECIFICATION	DESCRIPTION

73251-0073	STANDARD	8 u"	Ni-Ph 80 u" MIN
73251-0072	73251-0071 BY TRAY (20 CAVITY)	30 u"	NICKEL 100 u" MIN
73251-0071	STANDARD	30 u"	NICKEL 100 u" MIN
PART NO.	PACKAGING	GOLD LAYER	UNDER LAYER

CHG: UPDATE VIEW

EC NO: URF2013-0460  
 DRWN: JWIENER 2013/02/08  
 CHKD: SSS 2013/02/08  
 APPR: JWIENER 2013/02/11

QUALITY SYMBOLS  
 ▽=0  
 ▽=0  
 DESCRIPTION

GENERAL TOLERANCES (UNLESS SPECIFIED)

	mm	INCH
4 PLACES	± .005	± .0005
3 PLACES	± .005	± .0005
2 PLACES	± .005	± .0005
1 PLACE	± .005	± .0005

ANGULAR ± 2 °

DRAFT WHERE APPLICABLE  
MUST REMAIN WITHIN DIMENSIONS

DIMENSION STYLE  
MM/IN

DRAWN BY	DATE
TEF	1999/04/19
CHECKED BY	DATE
DHG	1999/04/19
APPROVED BY	DATE
GMH	1999/04/19

MATERIAL NO.  
SEE TABLE

SCALE  
INCH

DESIGN UNITS  
INCH

THIRD ANGLE PROJECTION

TITLE  
SMA PLUG RA FOR  
141 TYPE CABLES  
SMA-PC/RA

Molex MOLEX INCORPORATED

DOCUMENT NO.  
SD-73251-007

SHEET NO.  
1 OF 1

THIS DRAWING CONTAINS INFORMATION THAT IS PROPRIETARY TO MOLEX INCORPORATED AND SHOULD NOT BE USED WITHOUT WRITTEN PERMISSION