

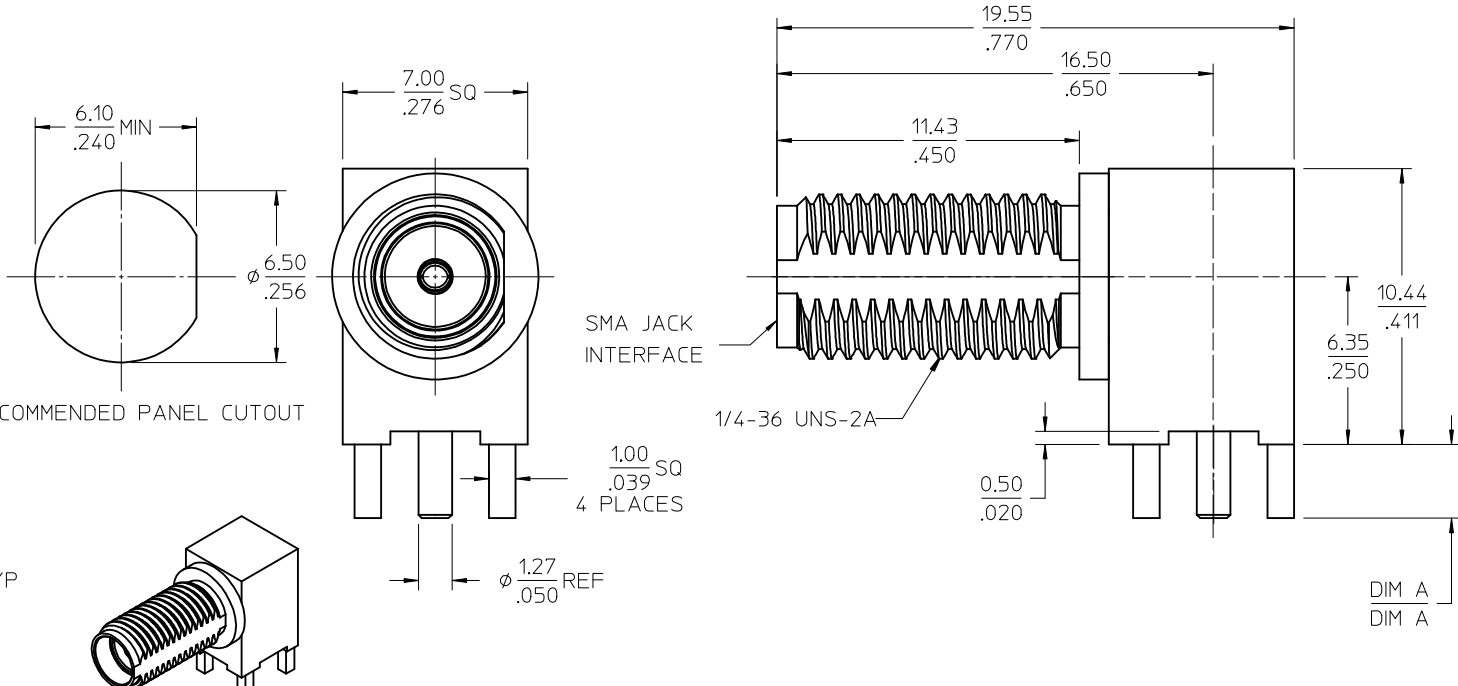
MATERIALS AND FINISHES:

BODY, JAM NUT: BRASS  
FINISH: SEE TABLE

CENTER CONTACT: BERYLLIUM COPPER  
PLATED GOLD

INSULATOR: TEFLON

LOCKWASHER: PHOSPHOR BRONZE  
FINISH: SEE TABLE

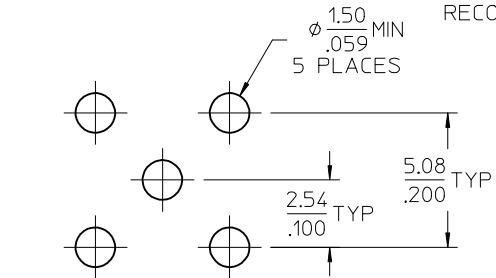


RECOMMENDED PANEL CUTOUT

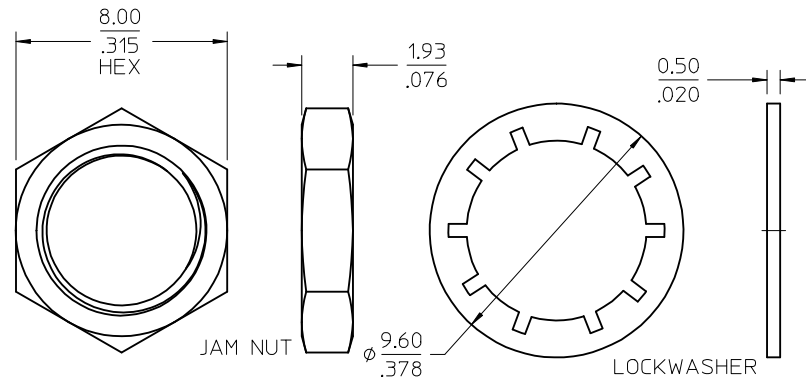
SMA JACK  
INTERFACE

1/4-36 UNS-2A

DIM A  
DIM A



RECOMMENDED PCB LAYOUT



JAM NUT

LOCKWASHER

SEE SD-73251-496 FOR PART NO. CONTINUATION

73251-2209	GOLD FLASH / STANDARD TRAY	3.94	.155
73251-2208	GOLD FLASH/STANDARD TRAY W/O WASHER AND NUT	3.94	.155
73251-2207	73251-2201 PACKAGED ONE PER BAG	2.79	.110
73251-2206	SAME AS 73251-2201 EXCEPT COMMERCIAL CONTACT	2.79	.110
73251-2205	SAME AS 73251-2200 EXCEPT COMMERCIAL CONTACT	2.79	.110
73251-2204	GOLD FLASH/STANDARD TRAY W/O WASHER AND NUT	2.79	.110
73251-2203	GOLD FLASH / STANDARD TRAY (54 CAVITY)	2.79	.110
73251-2202	73251-2201 PACKAGED IN SMALL TRAY (20 CAVITY)	2.79	.110
73251-2201	GOLD / STANDARD TRAY	2.79	.110
73251-2200	NICKEL / STANDARD TRAY	2.79	.110
PART NO.	PLATING (BODY, NUT, LOCKWASHER) AND PACKAGING	mm	IN

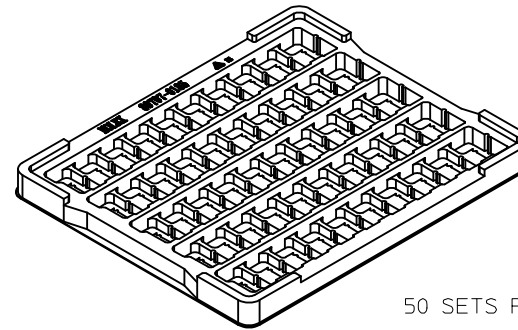
DIM A

PS-89675-3460	ELECTRO/MECH PERFORM.
SPECIFICATION	DESCRIPTION

CHG: ADDED NOTE FOR PART NO. CONTINUATION. EC NO: URF2013-0294 DRW: ARROBERTSON 2012/11/21 CHK: DSSS 2012/11/21 APPR: WIENER 2012/11/27 REV: D11	QUALITY SYMBOLS ▽=0 ▽=0	GENERAL TOLERANCES (UNLESS SPECIFIED) <table border="1"> <tr> <th></th> <th>mm</th> <th>INCH</th> </tr> <tr> <td>4 PLACES</td> <td>± .005</td> <td>± .0002</td> </tr> <tr> <td>3 PLACES</td> <td>± .005</td> <td>± .0002</td> </tr> <tr> <td>2 PLACES</td> <td>± .005</td> <td>± .0002</td> </tr> <tr> <td>1 PLACE</td> <td>± .005</td> <td>± .0002</td> </tr> </table> ANGULAR ± 2 °		mm	INCH	4 PLACES	± .005	± .0002	3 PLACES	± .005	± .0002	2 PLACES	± .005	± .0002	1 PLACE	± .005	± .0002	DIMENSION STYLE MM/IN DRAWN BY: CLAIRE LEE DATE: 2003/08/29 CHECKED BY: PAT DATE: 2003/08/29 APPROVED BY:	SCALE: METRIC DESIGN UNITS: METRIC THIRD ANGLE PROJECTION	TITLE: SMA JACK, R/A PCB 50 OHM SMA-J/RA/PCB EWR-2144
		mm	INCH																	
	4 PLACES	± .005	± .0002																	
	3 PLACES	± .005	± .0002																	
2 PLACES	± .005	± .0002																		
1 PLACE	± .005	± .0002																		
DRAFT WHERE APPLICABLE MUST REMAIN WITHIN DIMENSIONS	MATERIAL NO.: SEE TABLE SIZE: C	MOLEX INCORPORATED	DOCUMENT NO.: SD-73251-220 SHEET NO.: 1 OF 1																	
THIS DRAWING CONTAINS INFORMATION THAT IS PROPRIETARY TO MOLEX INCORPORATED AND SHOULD NOT BE USED WITHOUT WRITTEN PERMISSION																				

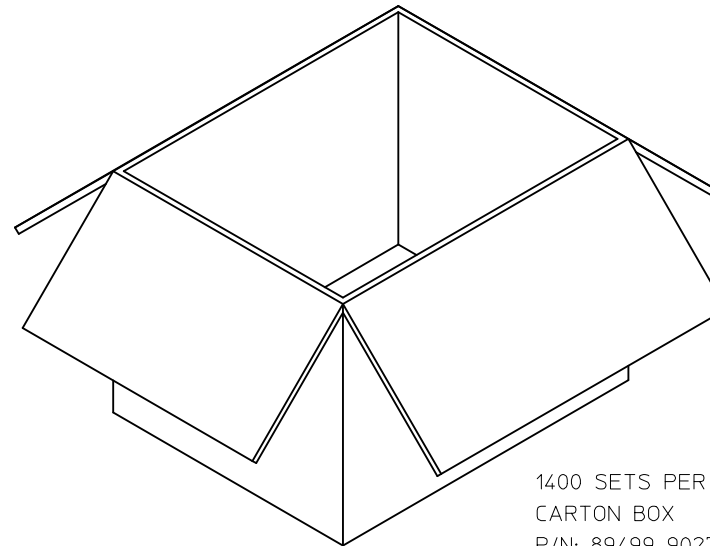


P/N: 73251-2200 / 73251-2201  
 73251-2205 / 73251-2206  
 73251-2208 / 73251-2209



50 SETS PER TRAY  
 TRAY P/N: 89707-0185

FOR 73251-2200, 73251-2201,  
 73251-2205, 73251-2206,  
 73251-2208, AND 73251-2209

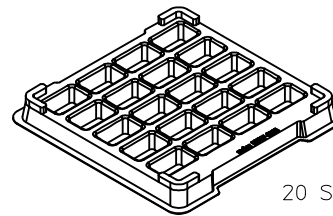


1400 SETS PER OUTER  
 CARTON BOX  
 P/N: 89499-9027

<b>CHG NEW RELEASE          PER RF13-E131</b> EC NO: URF2013-0734 DRAWN BY: RYEH 2013/06/28 CHKD: KERRIE APPR: MHUANG 2013/07/26 REV: A	QUALITY SYMBOLS = 0 = 0 = 0	GENERAL TOLERANCES (UNLESS SPECIFIED) <table border="1"> <tr> <td></td> <td>mm</td> <td>INCH</td> </tr> <tr> <td>4 PLACES</td> <td>± .005</td> <td>± .0005</td> </tr> <tr> <td>3 PLACES</td> <td>± .005</td> <td>± .0005</td> </tr> <tr> <td>2 PLACES</td> <td>± .005</td> <td>± .0005</td> </tr> <tr> <td>1 PLACE</td> <td>± .005</td> <td>± .0005</td> </tr> <tr> <td>0 PLACE</td> <td>± .005</td> <td>± .0005</td> </tr> </table>		mm	INCH	4 PLACES	± .005	± .0005	3 PLACES	± .005	± .0005	2 PLACES	± .005	± .0005	1 PLACE	± .005	± .0005	0 PLACE	± .005	± .0005	DIMENSION STYLE <b>MM/IN</b> DRAWN BY: RYEH DATE: 2013/06/28 CHECKED BY: KERRIE DATE: 2013/06/28 APPROVED BY: MHUANG DATE: 2013/07/26	SCALE: <b>2.5:1</b> DESIGN UNITS: <b>METRIC</b> <b>THIRD ANGLE PROJECTION</b>	<b>SMA JACK R/A PCB TH          50 OHMS          SMA-J/PCB</b> <b>molex</b>	MATERIAL NO. <b>SEE TABLE</b>	DOCUMENT NO. <b>SD-73251-220-PKG</b>	SHEET NO. <b>1 OF 4</b>
		mm	INCH																							
	4 PLACES	± .005	± .0005																							
	3 PLACES	± .005	± .0005																							
2 PLACES	± .005	± .0005																								
1 PLACE	± .005	± .0005																								
0 PLACE	± .005	± .0005																								
ANGULAR ± 2°		DRAFT WHERE APPLICABLE MUST REMAIN WITHIN DIMENSIONS		<b>THIS DRAWING CONTAINS INFORMATION THAT IS PROPRIETARY TO MOLEX INCORPORATED AND SHOULD NOT BE USED WITHOUT WRITTEN PERMISSION</b>																						

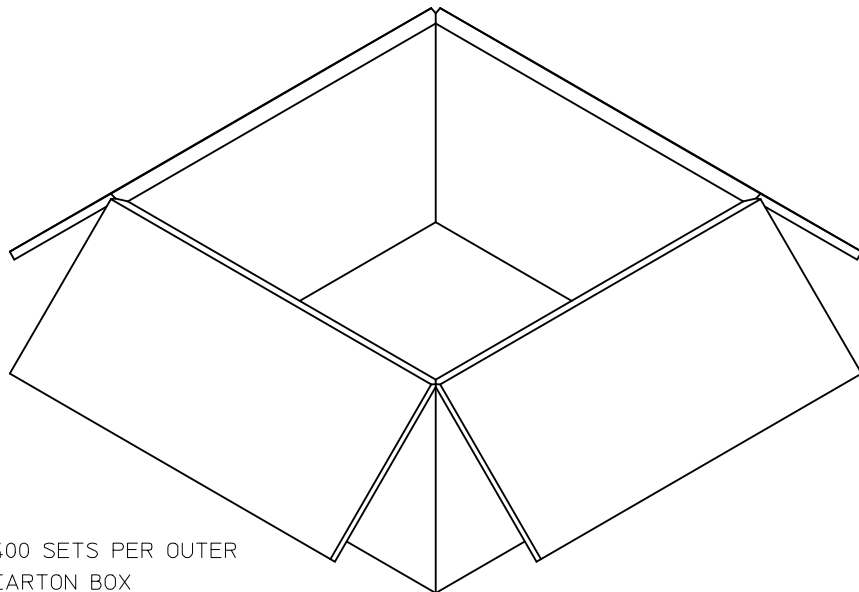


P/N: 73251-2202

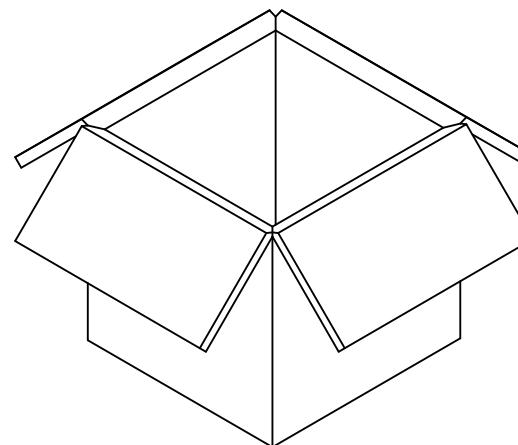


20 SETS PER TRAY  
TRAY P/N: 89707-0308

FOR 73251-2202 ONLY



400 SETS PER OUTER  
CARTON BOX  
P/N: 96707-0002



200 SETS PER INNER  
CARTON BOX  
P/N: 96707-0005

CHG:SEE SHEET 1  
EC NO: URF2013-0734  
DRAWN:RYEH 2013/06/28  
CHKD:  
APPR:MHUANG 2013/07/26

REV	DESCRIPTION	QUALITY SYMBOLS
A		▽=0
		▽=0
		▽=0

GENERAL TOLERANCES (UNLESS SPECIFIED)

	mm	INCH
4 PLACES	± ---	± ---
3 PLACES	± ---	± ---
2 PLACES	± ---	± ---
1 PLACE	± ---	± ---
0 PLACE	± ---	± ---

ANGULAR ± 2 °

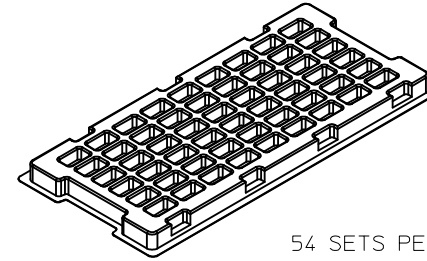
DRAFT WHERE APPLICABLE MUST REMAIN WITHIN DIMENSIONS

DIMENSION STYLE		SCALE		DESIGN UNITS	
MM/IN		2:1		METRIC	
DRAWN BY	DATE	TITLE			
RYEH	2013/06/28	SMA JACK R/A PCB TH			
CHECKED BY	DATE	50 OHMS			
KERRIE	2013/06/28	SMA-J/PCB			
APPROVED BY	DATE	<b>molex</b>			
MHUANG	2013/07/26				
MATERIAL NO.	DOCUMENT NO.	SHEET NO.			
SEE TABLE	SD-73251-220-PKG	2 OF 4			

THIS DRAWING CONTAINS INFORMATION THAT IS PROPRIETARY TO MOLEX INCORPORATED AND SHOULD NOT BE USED WITHOUT WRITTEN PERMISSION

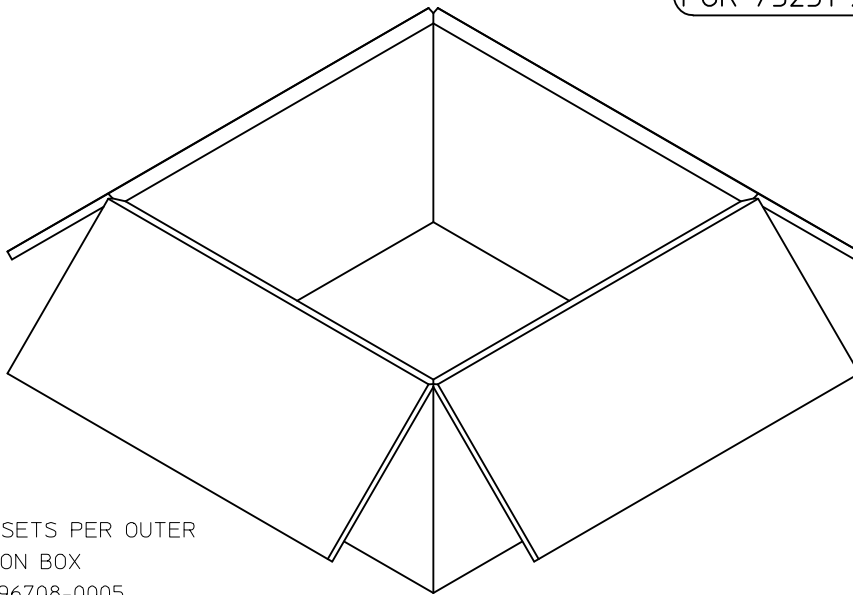


P/N: 73251-2203 / 73251-2204

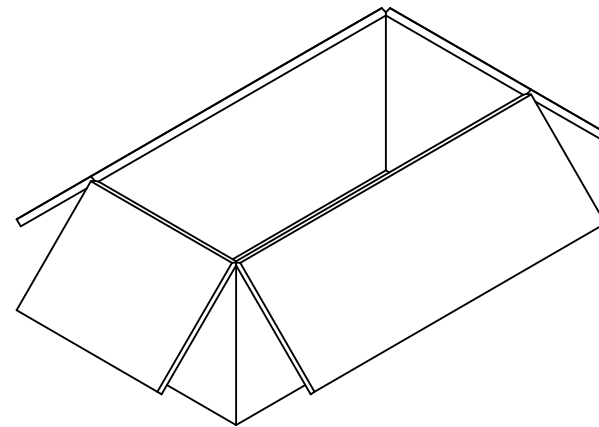


54 SETS PER TRAY  
TRAY P/N: 89707-0220

FOR 73251-2203 AND 73251-2204



1080 SETS PER OUTER  
CARTON BOX  
P/N: 96708-0005

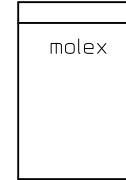


540 SETS PER INNER  
CARTON BOX  
P/N: 96707-0001

CHG:SEE SHEET 1 EC NO: URF2013-0734 DRAWN:RYEH 2013/06/28 CHKD: APPR:MHUANG 2013/07/26 REV:	QUALITY SYMBOLS	GENERAL TOLERANCES (UNLESS SPECIFIED)	DIMENSION STYLE	SCALE	DESIGN UNITS	THIRD ANGLE PROJECTION
	▽=0	mm INCH	MM/IN	2:1	METRIC	
	▽=0	4 PLACES ± --- ± ---	DRAWN BY DATE	TITLE		
	▽=0	3 PLACES ± --- ± ---	RYEH 2013/06/28	SMA JACK R/A PCB TH		
	2 PLACES ± --- ± ---	CHECKED BY DATE	50 OHMS			
	1 PLACE ± --- ± ---	KERRIE 2013/06/28	SMA-J/PCB			
	0 PLACE ± --- ± ---	APPROVED BY DATE	<b>molex</b>			
		MHUANG 2013/07/26	MATERIAL NO.	DOCUMENT NO.	SHEET NO.	
		ANGULAR ± 2 °	SEE TABLE	SD-73251-220-PKG	3 OF 4	
		DRAFT WHERE APPLICABLE MUST REMAIN WITHIN DIMENSIONS	THIS DRAWING CONTAINS INFORMATION THAT IS PROPRIETARY TO MOLEX INCORPORATED AND SHOULD NOT BE USED WITHOUT WRITTEN PERMISSION			

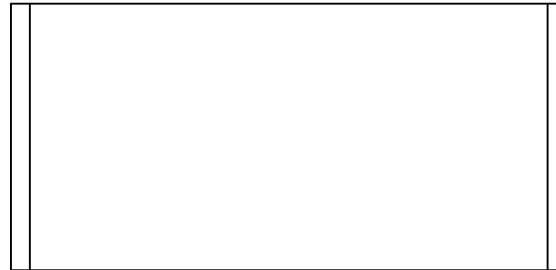


P/N: 73251-2207

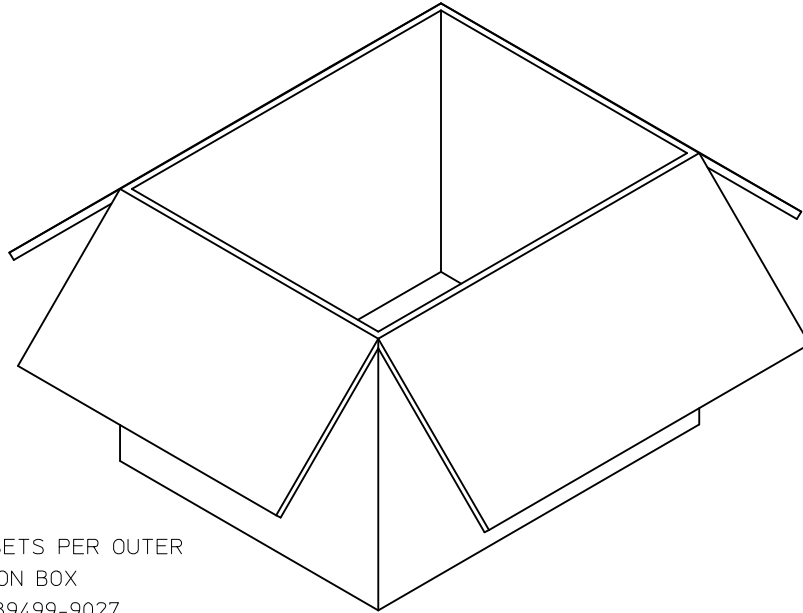


1 SET PER POLYBAG  
P/N: 89707-0317

FOR 73251-2207 ONLY



50 SETS PER POLYBAG  
P/N: 89707-0174



500 SETS PER OUTER  
CARTON BOX  
P/N: 89499-9027



CHG:SEE SHEET 1  
EC NO: URF2013-0734  
DRAWN:RYEH  
CHKD:  
APPR:MHUANG

2013/06/28  
2013/07/26

DESCRIPTION

REV

QUALITY SYMBOLS
= 0
= 0
= 0

GENERAL TOLERANCES (UNLESS SPECIFIED)

	MM/IN	
	mm	INCH
4 PLACES	± ---	± ---
3 PLACES	± ---	± ---
2 PLACES	± ---	± ---
1 PLACE	± ---	± ---
0 PLACE	± ---	± ---

ANGULAR ± 2 °

DRAFT WHERE APPLICABLE MUST REMAIN WITHIN DIMENSIONS

DIMENSION STYLE  
MM/IN

DRAWN BY RYEH  
DATE 2013/06/28

CHECKED BY KERRIE  
DATE 2013/06/28

APPROVED BY MHUANG  
DATE 2013/07/26

MATERIAL NO.  
**SEE TABLE**

SIZE

SCALE 1:1

DESIGN UNITS METRIC

THIRD ANGLE PROJECTION

TITLE  
SMA JACK R/A PCB TH  
50 OHMS  
SMA-J/PCB

**molex**

DOCUMENT NO. SD-73251-220-PKG

SHEET NO. 4 OF 4

THIS DRAWING CONTAINS INFORMATION THAT IS PROPRIETARY TO MOLEX INCORPORATED AND SHOULD NOT BE USED WITHOUT WRITTEN PERMISSION

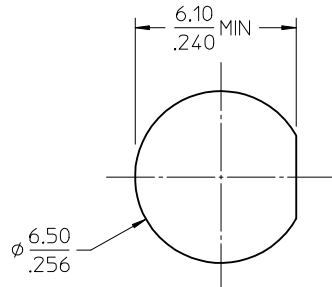
MATERIALS AND FINISHES:

BODY, JAM NUT: BRASS  
FINISH: SEE TABLE

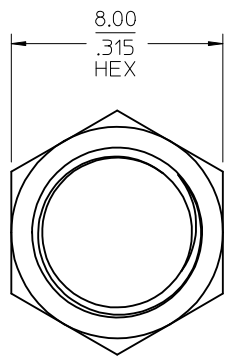
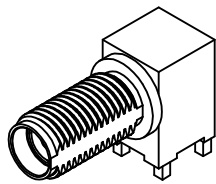
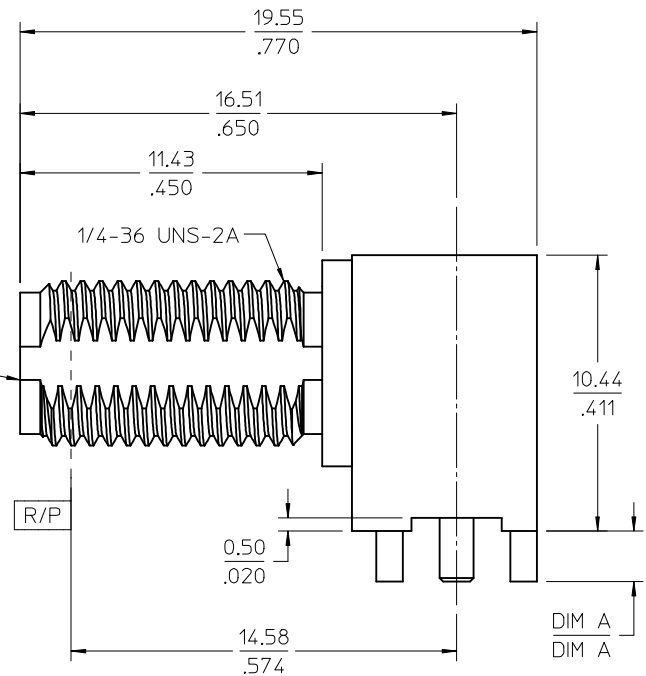
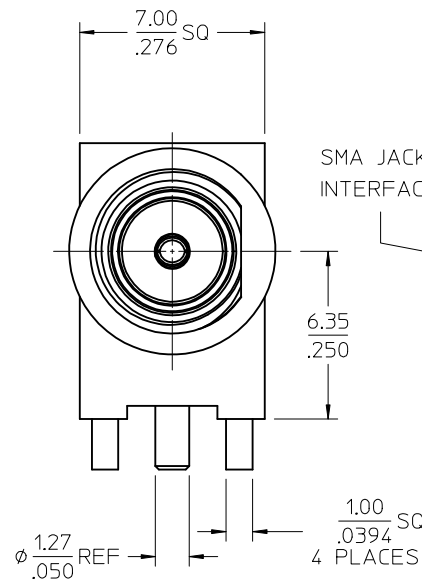
CENTER CONTACT: BERYLLIUM COPPER  
PLATED GOLD

INSULATOR: TEFLON

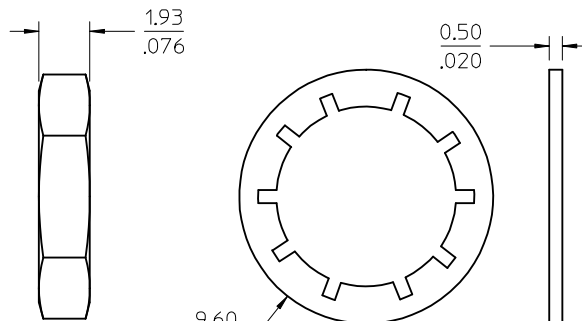
LOCKWASHER: PHOSPHOR BRONZE  
FINISH: SEE TABLE



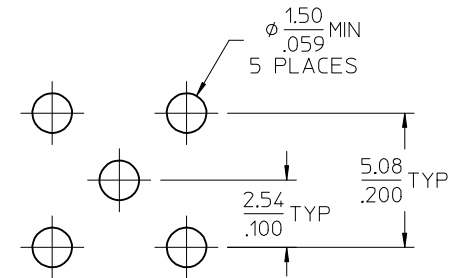
PANEL CUTOUT  
3.42 / .135 MAX  
THICKNESS



JAM NUT



LOCKWASHER



RECOMMENDED PCB LAYOUT

73251-4961	2	3.94 / .155	GOLD FLASH / STANDARD TRAY
73251-4960	1	1.91 / .075	GOLD FLASH / STANDARD TRAY
PART NO.	JAM NUT QTY	MM / IN	PLATING (BODY, NUT, LOCKWASHER) PACKAGING
	INCLUDED	DIM A	

PS-89675-3460	PRODUCT SPECIFICATION
MIL-STD-348A, FIG. 310.2	INTERFACE
SPECIFICATION	DESCRIPTION

SD-73251-496 IS CONTINUATION FOR SD-73251-220

CHG: -4961, TABULATED DIM A, ADDED PLATING/ PACKAGING NOTE, EC NO: URF2014-0663, DRWN: JLE02, CHKD: SSS, APPR: WSP/INK, 2014/03/28, 2014/03/28, 2014/05/12	DESCRIPTION
REV	B1

QUALITY SYMBOLS	GENERAL TOLERANCES (UNLESS SPECIFIED)
▽=0	mm INCH
▽=0	4 PLACES ± .005 ± .005
▽=0	3 PLACES ± .005 ± .005
	2 PLACES ± .005 ± .005
	1 PLACE ± .005 ± .005
	0 PLACE ± .005 ± .005
	ANGULAR ± 2 °
	DRAFT WHERE APPLICABLE MUST REMAIN WITHIN DIMENSIONS

DIMENSION STYLE	SCALE	DESIGN UNITS
MM/IN		INCH
DRAWN BY	DATE	TITLE
AROBERTSON	2012/11/21	SMA JACK RA
CHECKED BY	DATE	BLKHD RM PCB TH
SSS	2012/11/21	SMA-J/RA/PCB, EWR-2144
APPROVED BY	DATE	<b>molex</b>
JWIENER	2012/11/27	DOCUMENT NO.
MATERIAL NO.	SEE TABLE	SD-73251-496

THIRD ANGLE PROJECTION	SHEET NO.
	1 OF 1
THIS DRAWING CONTAINS INFORMATION THAT IS PROPRIETARY TO MOLEX INCORPORATED AND SHOULD NOT BE USED WITHOUT WRITTEN PERMISSION	