

13 12 11 10 9 8 7 6 5 4 3 2 1

MATERIALS AND FINISHES

MATERIALS:

BODY, FRONT -- BRASS
PLATED NICKEL

BODY, BASE -- BRASS
PLATED TIN

CENTER CONTACT -- BRASS
PLATED GOLD

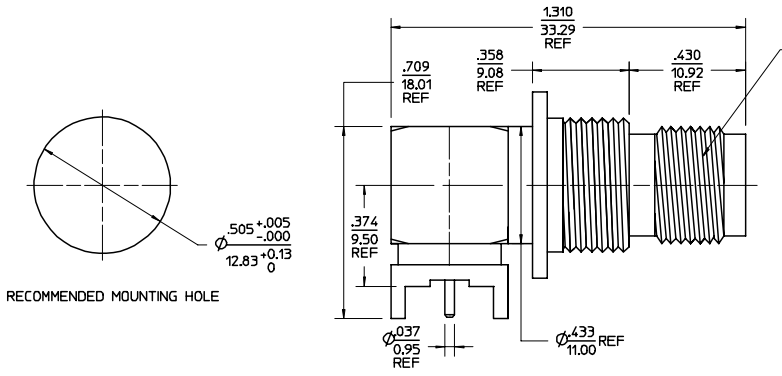
INSULATOR -- TEFLON

COVER -- BRASS
PLATED NICKEL

RETAINING RING --BRASS
PLATED NICKEL

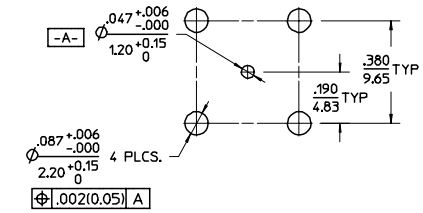
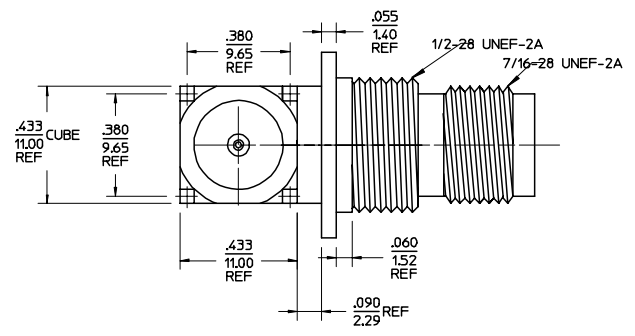
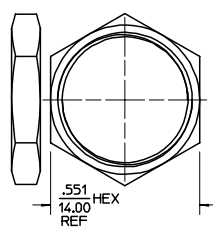
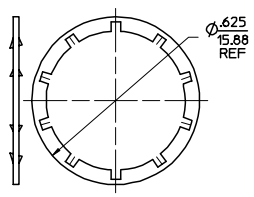
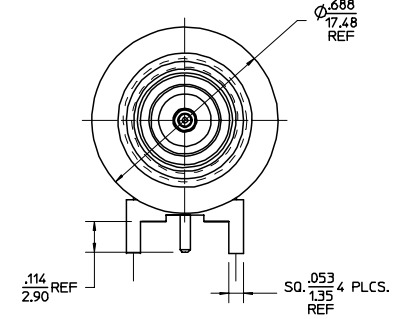
JAM NUT -- BRASS
PLATED NICKEL

LOCK WASHER -- PHOSPHOR BRONZE
PLATED NICKEL



RECOMMENDED MOUNTING HOLE

TNC JACK REVERSE POLARITY



PART # 73216-1120

CHG: PLATING WAS TIN/LEAD ON BASE BODY.	EC NO: URF2008-0112 DRAWN: ARROBERTSON 2007/08/22 CHKD: 2007/08/22 APPR: JIM ENEER 2007/08/29	QUALITY SYMBOLS ▲ ⊕ ▽ ⊕	GENERAL TOLERANCES (UNLESS SPECIFIED)		DIMENSION STYLE IN/MM		SCALE	DESIGN UNITS INCH	THIRD ANGLE PROJECTION	
			mm	INCH	DRAWN BY AZR	DATE 2003/05/16	TITLE TNC, JACK R/A PCB REVERSE POLAR 50 OHMS EWR-2063, TNC-J/PCB/RP			
			4 PLACES	±	±	CHECKED BY TEF	DATE 2003/06/23	MOLEX INCORPORATED		
			3 PLACES	±	±	APPROVED BY GMH	DATE 2003/06/23	SD-73216-112		SHEET NO. 1 OF 1
			2 PLACES	±	±	MATERIAL NO. 732161120		DOCUMENT NO.		
			1 PLACE	±	±	SIZE C		THIS DRAWING CONTAINS INFORMATION THAT IS PROPRIETARY TO MOLEX INCORPORATED AND SHOULD NOT BE USED WITHOUT WRITTEN PERMISSION		
			ANGULAR ±1/2°		DRAFT WHERE APPLICABLE MUST REMAIN WITHIN DIMENSIONS					

12 11 10 9 8 7 6 5 4 3 2 1