

MATERIALS AND FINISHES

BODY FRONT, CAP, JAM NUT: BRASS
PLATED NICKEL

BODY REAR: BRASS
PLATED TIN

CONTACT: BRASS
PLATED GOLD

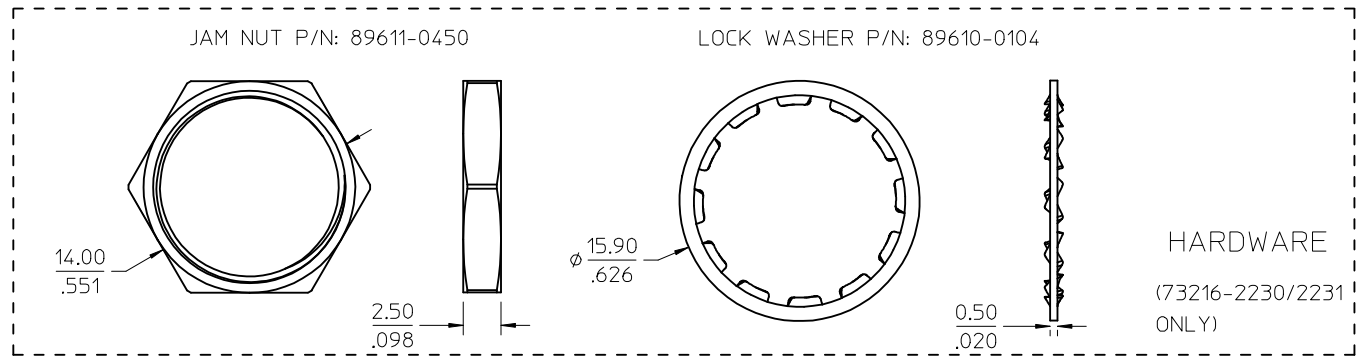
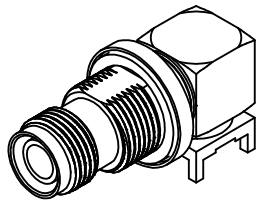
INSULATOR: TEFLON

GASKET: SILICONE RUBBER

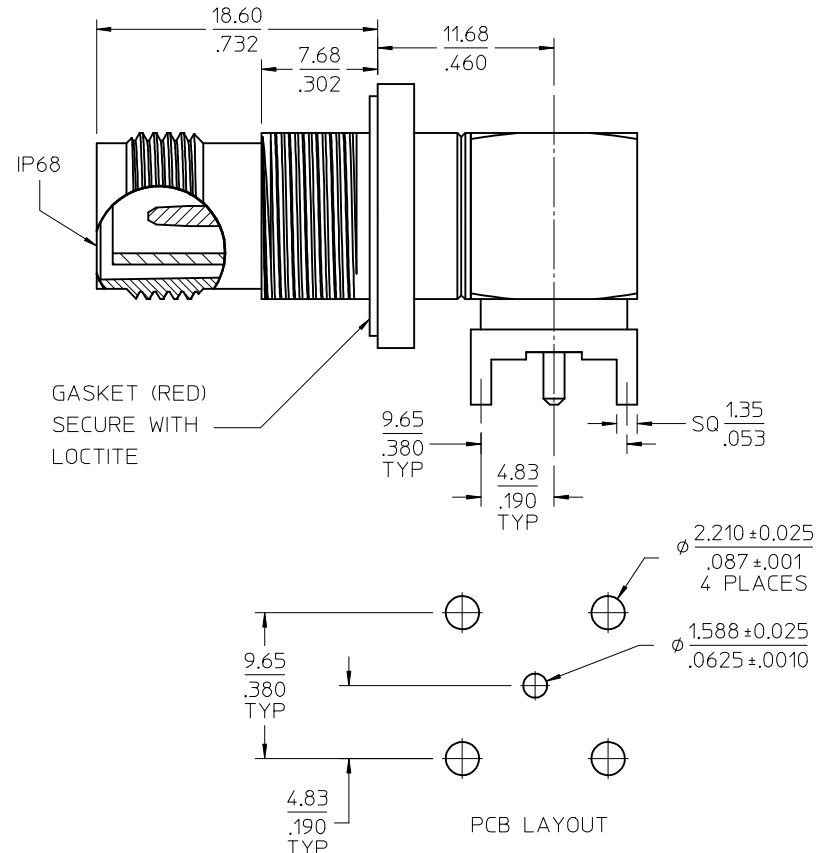
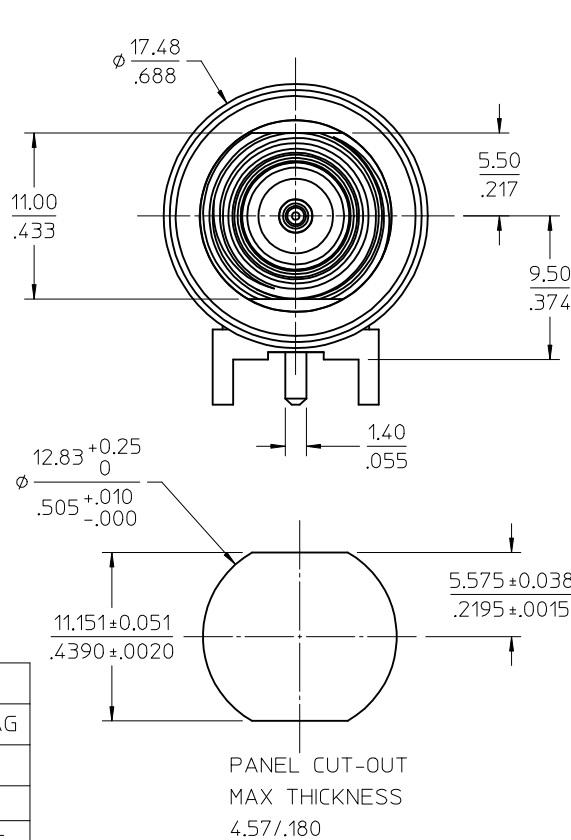
LOCK WASHER: PHOSPHOR BRONZE
PLATED NICKEL

ELECTRICAL PERFORMANCE:

1.30 VSWR MAX THROUGH 6 GHz
0.25 dB MAX INSERTION LOSS THRU 6 GHz



HARDWARE
(73216-2230/2231
ONLY)



73216-2232	TRAY	N/A
73216-2231	ONE PER BAG	LOOSE IN BAG
73216-2230	TRAY	BULK
PART NO.	PACKAGING	HARDWARE
		PACKAGING

B	CHG: ADDED -2232, ADDED PN FOR NUT & WASHER PER RF16-E096 EC NO: URF2016-0867 DRAWN: WE102 2016/06/24 CHKD: APPR: YCHENG 2016/07/04 REV: B4	QUALITY SYMBOLS ▽=0 ▽=0	GENERAL TOLERANCES (UNLESS SPECIFIED) mm INCH 4 PLACES ± --- ± --- 3 PLACES ± --- ± --- 2 PLACES ± --- ± --- 1 PLACE ± --- ± --- ANGULAR ± 2°	DIMENSION STYLE MM/IN DRAWN BY DATE AZR 2009/07/23 CHECKED BY DATE SSS 2009/07/23 APPROVED BY DATE JW IENER 2010/04/22	SCALE DESIGN UNITS METRIC THIRD ANGLE PROJECTION	TITLE TNC JACK REV POL RA BLKHD IP68 PCB TH TNC-J/PCB, EWR-4150	MATERIAL NO. SEE TABLE	DOCUMENT NO. SD-73216-223	SHEET NO. 1 OF 1