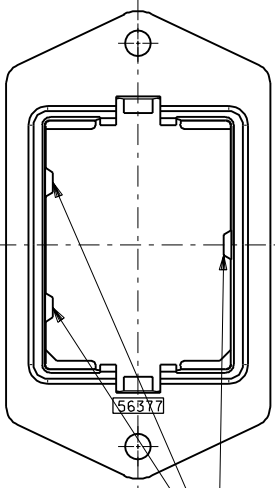
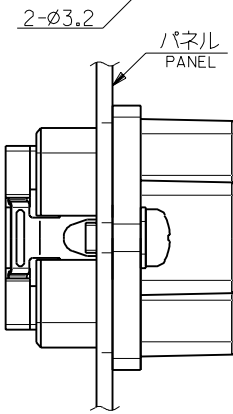
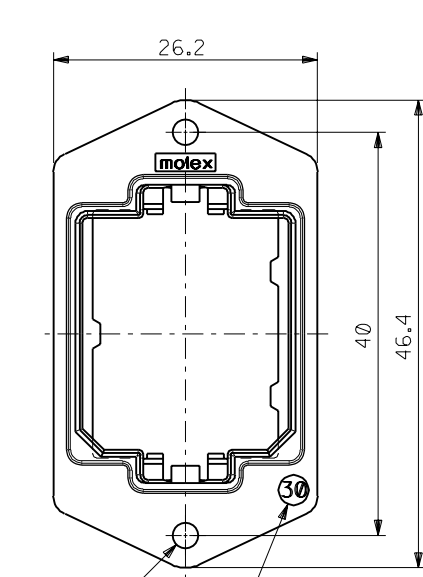
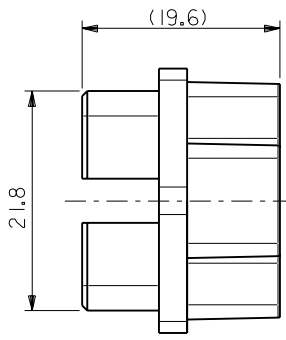
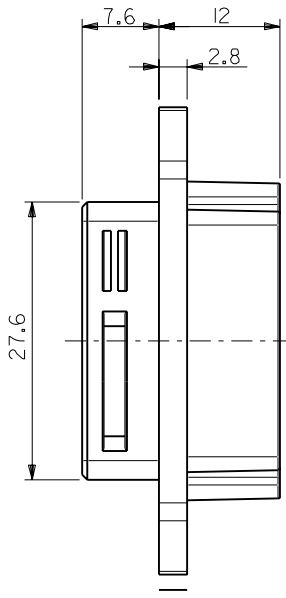


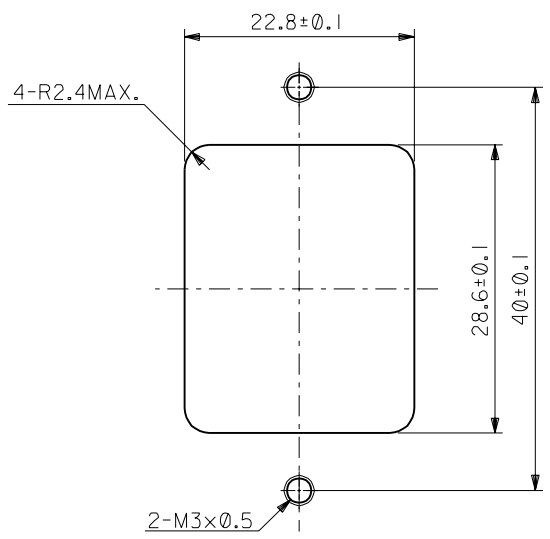
DWG. NO.  
SD-56377-006



ハウジング挿入方向キー  
POLARIZATIONS KEY FOR HOUSING



パネル前面取り付け  
FRONT MOUNT TYPE



推奨パネル切り取り寸法 (前面取り付け)  
RECOMMENDED PANEL OPENING (FRONT MOUNTING)

注記  
NOTES

- 材質  
MATERIAL  
亜鉛合金、ニッケルメッキ  
ZINC ALLOY, NI PLATING
- 適用ハウジングアッセンブリ: 51233-301\* (PIN HS'G ASS'Y)  
51238-301\* (SOCKET HS'G ASS'Y)  
APPLICABLE HOUSING ASS'Y: 51233-301\* (PIN HS'G ASS'Y)  
51238-301\* (SOCKET HS'G ASS'Y)
- 推奨ねじ締め付けトルク: 5~6 kgf・cm  
RECOMMENDED SCREW TIGHTENING TORQUE: 5~6 kgf・cm

56377-3000 56377-\*\*\*\*

MATERIAL.NO MODEL.NO

DIMENSIONS:  mm  INCH  mm ONLY SHT REV  
INCH mm mm ONLY REVISE ON CAD ONLY

TITLE: COMPACT ROBOT CONN. (CRC) RECEPTACLE SHELL

Molex MOLEX INCORPORATED

MATERIAL NO. SEE CHART DRAWING NO. SD-56377-006 SHEET NO. 1 OF 1

THIS DRAWING CONTAINS INFORMATION THAT IS PROPRIETARY TO MOLEX INCORPORATED AND SHOULD NOT BE USED WITHOUT WRITTEN PERMISSION. SIZE B

DO NOT SCALE DRAWING

EC NO. DRWN: CHK: APPR:	EC NO. DRWN: CHK: APPR:	EC NO. DRWN: CHK: APPR:	REVISED 01/10/17 EC NO. J2002-0932 DRWN: S.AKIYAMA CHK: J.MIYAZAWA APPR: Y.O.IITO	RELEASED 01/02/09 EC NO. JD2001-1040 DRWN: S.AKIYAMA CHK: J.MIYAZAWA APPR: H.IKESUGI	DESCRIPTION
			A	Ø	注記参照 SEE NOTES
					FINISH 仕上げ
					WIRE RANGE 適用線径範囲
					INS. RANGE 被覆外径

MATERIAL 材料	注記参照 SEE NOTES
GENERAL TOLERANCES: (UNLESS SPECIFIED) 一般公差	SCALE 2-1 DESIGN UNITS <input checked="" type="checkbox"/> mm <input type="checkbox"/> INCH
10 UNDER 未満	±0.2
10 OVER 30 UNDER 以上 未満	±0.25
30 OVER 以上	±0.3
ANGLE 角度	±3°

DRAWN BY & DATE S. Akiyama 1/01/25	TITLE:
CHECKED BY & DATE J. Miyazawa / Y. Ito	COMPACT ROBOT CONN. (CRC) RECEPTACLE SHELL
APPROVED BY & DATE H. Ikisugi	Molex MOLEX INCORPORATED
CAD FILE NAME 56377006.S01	MATERIAL NO. SEE CHART
	DRAWING NO. SD-56377-006
	SHEET NO. 1 OF 1