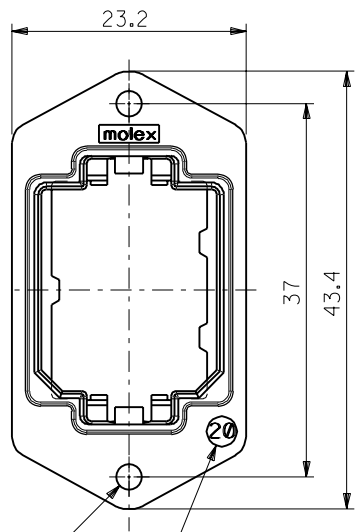
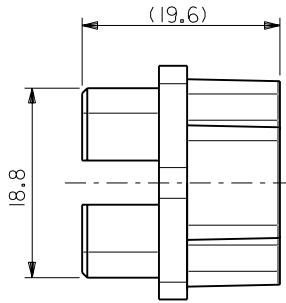
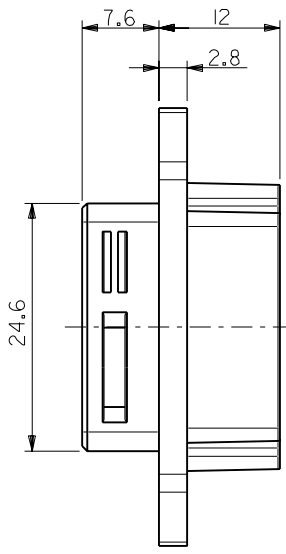
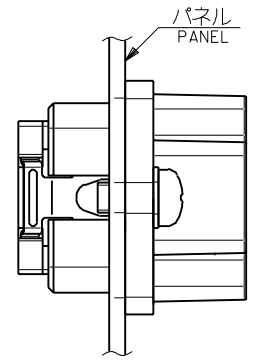


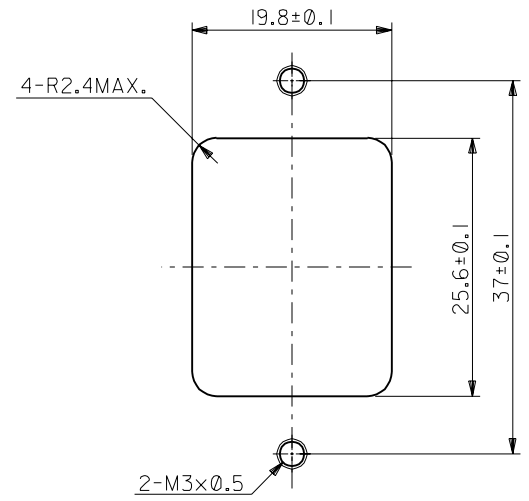
ハウジング挿入方向キー
POLARIZATIONS KEY FOR HOUSING



SIZE IDENTIFICATION



パネル前面取り付け
FRONT MOUNT TYPE



推奨パネル切り取り寸法 (前面取り付け)
RECOMMENDED PANEL OPENING (FRONT MOUNTING)

注記
NOTES

- 材質
MATERIAL
亜鉛合金、ニッケルメッキ
ZINC ALLOY, NI PLATING
- 適用ハウジングアッセンブリ : 51233-201* (PIN HS'G ASS'Y)
51238-201* (SOCKET HS'G ASS'Y)
APPLICABLE HOUSING ASS'Y : 51233-201* (PIN HS'G ASS'Y)
51238-201* (SOCKET HS'G ASS'Y)
- 推奨ねじ締め付けトルク : 5~6 kgf・cm
RECOMMENDED SCREW TIGHTENING TORQUE : 5~6 kgf・cm

56377-2000	56377-****
------------	------------

MATERIAL.NO	MODEL.NO
-------------	----------

DIMENSIONS:		SHT	REV
<input type="checkbox"/> mm	<input type="checkbox"/> INCH	<input checked="" type="checkbox"/> mm	<input type="checkbox"/> ONLY
		REVISE ON CAD ONLY	

TITLE: COMPACT ROBOT CONN. (CRC) RECEPTACLE SHELL

MOLEX INCORPORATED

MATERIAL NO.	DRAWING NO.	SHEET NO.
SEE CHART	SD-56377-005	1 OF 1

THIS DRAWING CONTAINS INFORMATION THAT IS PROPRIETARY TO MOLEX INCORPORATED AND SHOULD NOT BE USED WITHOUT WRITTEN PERMISSION.

DO NOT SCALE DRAWING

EC NO.	REVISED 01/10/17
DRWN: CH'K: APPR:	EC NO. J2002-0932
	DRWN: S.AKIYAMA
	CH'K: J.MIYAZAWA
	APPR: Y.O.IITO
EC NO.	RELEASED 01/02/09
DRWN: CH'K: APPR:	EC NO. JD2001-1040
	DRWN: S.AKIYAMA
	CH'K: J.MIYAZAWA
	APPR: H.IKESUGI
DESCRIPTION	
REVISION	

MATERIAL 材料	注記参照 SEE NOTES
FINISH 仕上げ	—
WIRE RANGE 適用電線範囲	—
INS. RANGE 被覆外径	—

GENERAL TOLERANCES: (UNLESS SPECIFIED) 一般公差	SCALE 2-1	DESIGN UNITS <input checked="" type="checkbox"/> mm <input type="checkbox"/> INCH	THIRD ANGLE PROJECTION <input checked="" type="checkbox"/> <input type="checkbox"/>
10 UNDER 未満	±0.2	DRAWN BY & DATE S. Akiyama / 01/17/25	TITLE:
10 OVER 以上 30 UNDER 未満	±0.25	CHECKED BY & DATE J. Miyazawa / Y. Ito	COMPACT ROBOT CONN. (CRC) RECEPTACLE SHELL
30 OVER 以上	±0.3	APPROVED BY & DATE S. Akiyama	MOLEX INCORPORATED
ANGLE 角度	±3°	CAD FILE NAME 56377005.S01	MATERIAL NO. SEE CHART