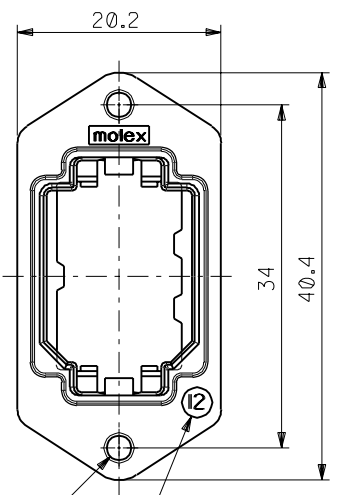
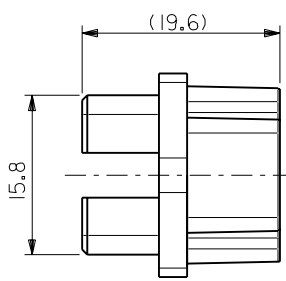
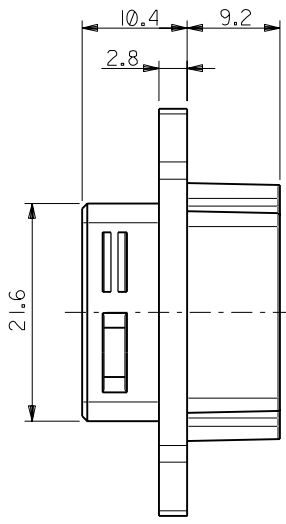
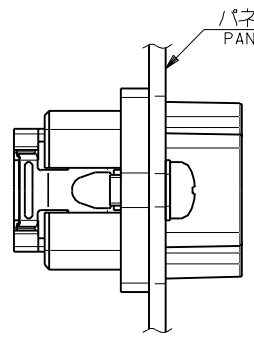


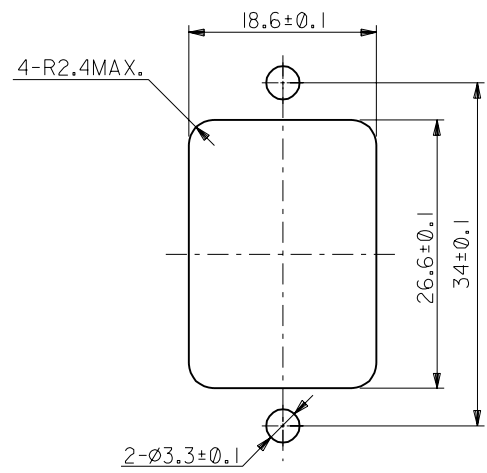
ハウジング挿入方向キー
POLARIZATIONS KEY FOR HOUSING



2-M3x0.5



パネル後面取り付け
REAR MOUNT TYPE



推奨パネル切り取り寸法 (後面取り付け)
RECOMMENDED PANEL OPENING (REAR MOUNTING)

注記
NOTES

- 材質
MATERIAL
亜鉛合金、ニッケルメッキ
ZINC ALLOY, Ni PLATING
- 適用ハウジングアッセンブリ: 51233-121* (PIN HS'G ASS'Y)
51238-121* (SOCKET HS'G ASS'Y)
55890-041* (PIN HS'G ASS'Y)
51300-041* (SOCKET HS'G ASS'Y)
APPLICABLE HOUSING ASS'Y: 51233-121* (PIN HS'G ASS'Y)
51238-121* (SOCKET HS'G ASS'Y)
55890-041* (PIN HS'G ASS'Y)
51300-041* (SOCKET HS'G ASS'Y)
- 推奨ねじ締め付けトルク: 5~6 kgf・cm
RECOMENDED SCREW TIGHTENING TORQUE: 5~6 kgf・cm

56377-1201	56377-****
MATERIAL.NO	MODEL.NO
DIMENSIONS:	
<input type="checkbox"/> mm	<input type="checkbox"/> INCH
<input type="checkbox"/> mm	<input checked="" type="checkbox"/> mm ONLY
SHT	REV
	REVISE ON CAD ONLY

EC NO. DRWN: CHK: APPR:	EC NO. DRWN: CHK: APPR:	EC NO. DRWN: CHK: APPR:	REVISED 01/10/17 EC NO. J2002-0932 DRWN: S.AKIYAMA CHK: J.MIYAZAWA APPR: Y.O.IITO	RELEASED 01/02/09 EC NO. JD2001-1040 DRWN: S.AKIYAMA CHK: J.MIYAZAWA APPR: H.IKESUGI	DESCRIPTION
			A	0	注記参照 SEE NOTES
					FINISH 仕上げ
					WIRE RANGE 適用導線範囲
					INS. RANGE 被覆外径

MATERIAL 材料	注記参照 SEE NOTES
FINISH 仕上げ	—
WIRE RANGE 適用導線範囲	—
INS. RANGE 被覆外径	—

GENERAL TOLERANCES: (UNLESS SPECIFIED) 一般公差	SCALE 2-1	DESIGN UNITS <input checked="" type="checkbox"/> mm <input type="checkbox"/> INCH	THIRD ANGLE PROJECTION <input checked="" type="checkbox"/> <input type="checkbox"/>
10 UNDER 未満	±0.2	DRAWN BY & DATE S. Akiyama 01/01/25	TITLE: COMPACT ROBOT CONN. (CRC) RECEPTACLE SHELL
10 OVER 以上	±0.25	CHECKED BY & DATE J. Miyazawa / Y. Oe	MATERIAL NO. SD-56377-007 DRAWING NO. SD-56377-007 SHEET NO. 1 OF 1
30 UNDER 未満	±0.3	APPROVED BY & DATE H. Ikisugi	
30 OVER 以上	±3°	CAD FILE NAME 56377007.S01	MOLEX INCORPORATED

ANGLE 角度	±3°	THIS DRAWING CONTAINS INFORMATION THAT IS PROPRIETARY TO MOLEX INCORPORATED AND SHOULD NOT BE USED WITHOUT WRITTEN PERMISSION.	SIZE B
-------------	-----	--	-----------

DO NOT SCALE DRAWING