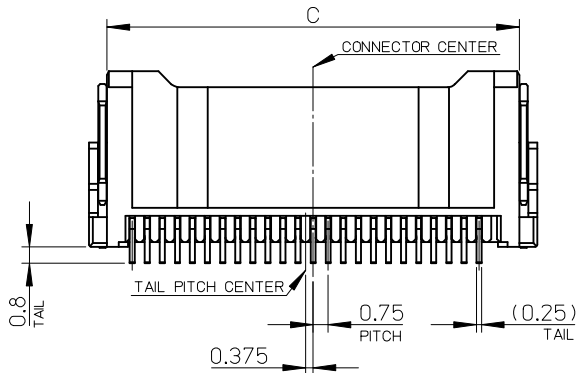
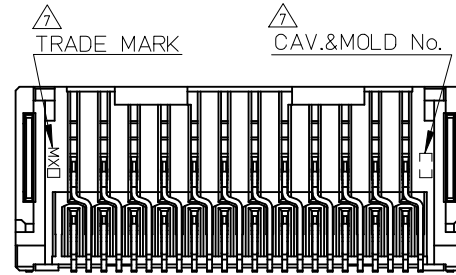
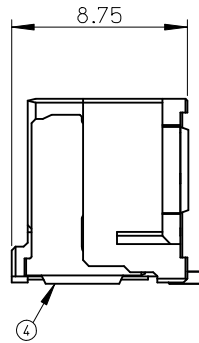
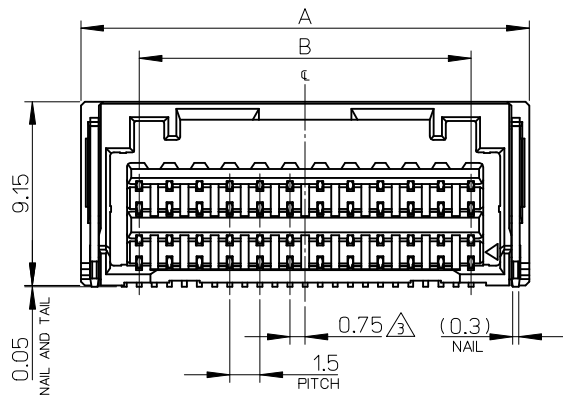


10極ハウジング形状  
(HOUSING FORM OF 10CKT)  
SCALE 2:1



No.	PART	MATERIAL
①	HOUSING	耐熱性樹脂 UL94V-0 HEATPROOF RESIN UL94V-0
②	TERMINAL A	銅合金 COPPER ALLOY
③	TERMINAL B	錫メッキ : 1.0 micro-meter MIN. TIN ニッケルメッキ (下地) : 1.0 micro-meter MIN. NICKEL (UNDER PLATING)
④	NAIL	銅合金 COPPER ALLOY 錫メッキ : 1.0 micro-meter MIN. TIN ニッケルメッキ (下地) : 1.0 micro-meter MIN. NICKEL (UNDER PLATING)

503148 - 269*	5.6	5.2	22.0	18.0	23.8	26
503148 - 249*	5.6	5.2	20.5	16.5	22.3	24
503148 - 229*	5.6	3.2	19.0	15.0	20.8	22
503148 - 209*	5.6	3.2	17.5	13.5	19.3	20
503148 - 189*	5.6	3.2	16.0	12.0	17.8	18
503148 - 169*	5.6	2.5	14.5	10.5	16.3	16
503148 - 149*	5.6	2.5	13.0	9.0	14.8	14
503148 - 129*	5.6	2.3	11.5	7.5	13.3	12
503148 - 109*	2.75	3.6	10	6	11.8	10
503148 - 089*	2.75	3.6	8.5	4.5	10.3	8
EMBOSSED TAPE PACKAGE						
オーダー番号 ORDER No.	E	D	C	B	A	CIRCUIT

REV	DESCRIPTION	DATE	BY
10	UNDER	±0.2	
10	OVER 30 UNDER	±0.25	
30	OVER	±0.3	
ANGULAR ±1 °			
DRAFT WHERE APPLICABLE MUST REMAIN WITHIN DIMENSIONS			

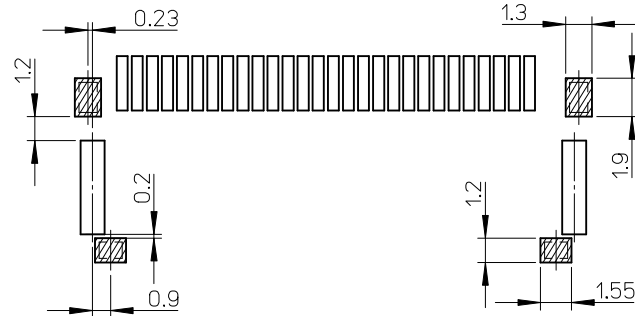
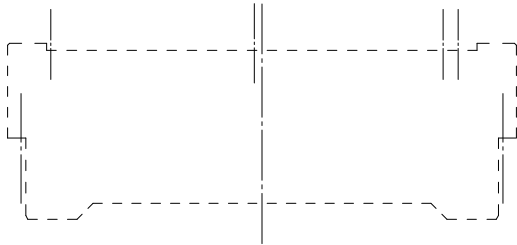
GENERAL TOLERANCES (UNLESS SPECIFIED)		DIMENSION STYLE	SCALE	DESIGN UNITS	THIRD ANGLE PROJECTION	
		MM ONLY	4:1	METRIC		
DRAWN BY	DATE	TITLE				
T.HANYU	2007/11/2	1.5 W/B CONN. DUAL R/A REC. ASSY				
CHECKED BY	DATE					
K.ASAKAWA	2007/11/2					
APPROVED BY	DATE	MATERIAL NO.	DOCUMENT NO.	SHEET NO.		
YO.IITO	2007/11/2	SEE CHART	SD-503148-001	1 OF 3		
THIS DRAWING CONTAINS INFORMATION THAT IS PROPRIETARY TO MOLEX INCORPORATED AND SHOULD NOT BE USED WITHOUT WRITTEN PERMISSION						

10 9 8 7 6 5 4 3 2 1

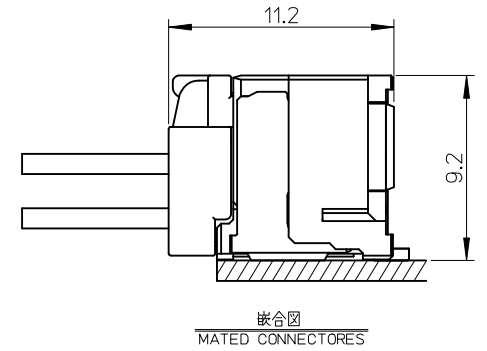
503148 - \*\*

極数  
CIRCUIT SIZE

色  
COLOR

△ パターン禁止エリア (参考)  
PATTERN PROHIBITION AREA (REF.)



SEE SHEET1 EC NO: J2015-0024 DRWN: YAKE 2014/05/30 CHKD: KASAKAWA 2014/06/02 APPR: NUKITA 2014/07/08	DESCRIPTION	GENERAL TOLERANCES (UNLESS SPECIFIED)		DIMENSION STYLE MM ONLY		SCALE 4:1	DESIGN UNITS METRIC	THIRD ANGLE PROJECTION	
		10 UNDER	± 0.2	DRAWN BY T. HANYU	DATE 2007/11/2	TITLE 1.5 W/B CONN. DUAL R/A REC. ASSY			
		10 OVER 30 UNDER	± 0.25	CHECKED BY K. ASAKAWA	DATE 2007/11/2				
		30 OVER	± 0.3	APPROVED BY YO. ITO	DATE 2007/11/2				
REV	DESCRIPTION	ANGULAR ±1 °		MATERIAL NO.		DOCUMENT NO.		SHEET NO.	
		DRAFT WHERE APPLICABLE MUST REMAIN WITHIN DIMENSIONS		SEE CHART		SD-503148-001		2 OF 3	
				SIZE A3		THIS DRAWING CONTAINS INFORMATION THAT IS PROPRIETARY TO MOLEX INCORPORATED AND SHOULD NOT BE USED WITHOUT WRITTEN PERMISSION			