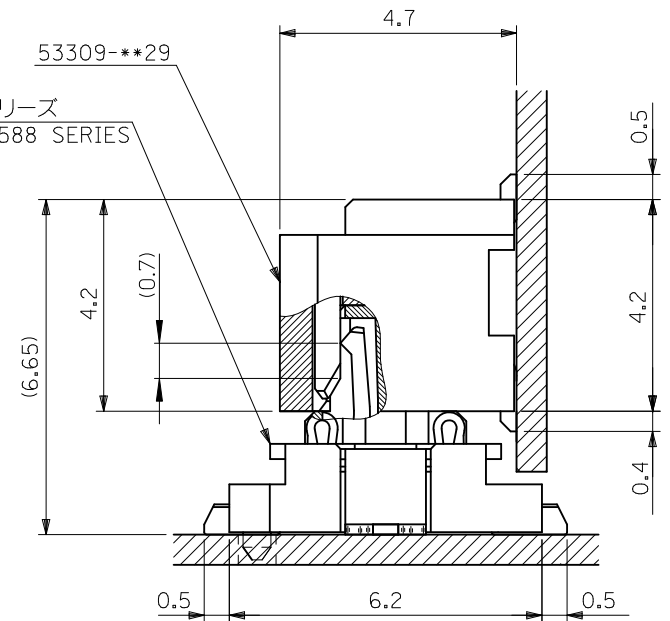


53309-***29
 嵌合相手 52465 シリーズ
 MATES WITH 52465 SERIES

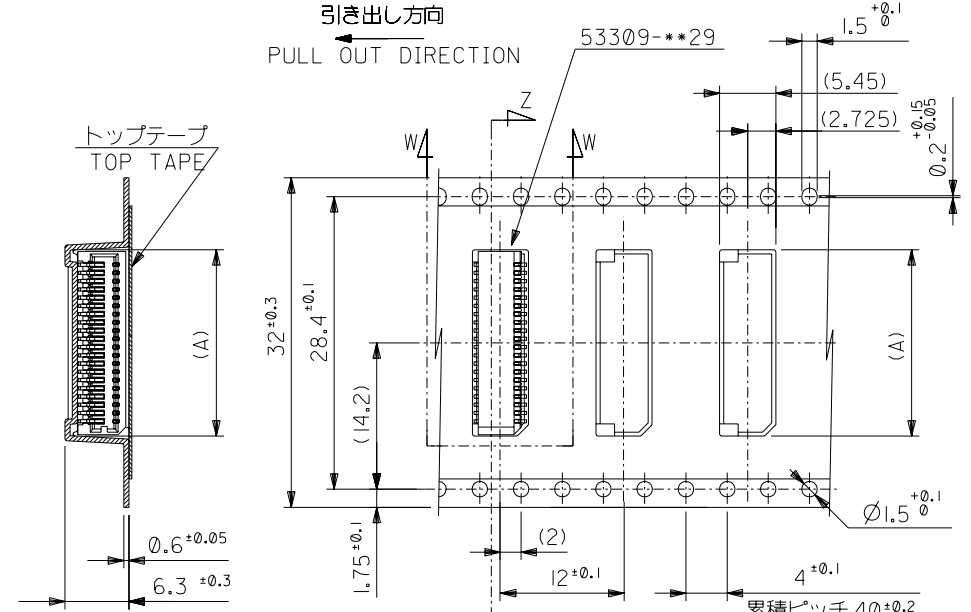
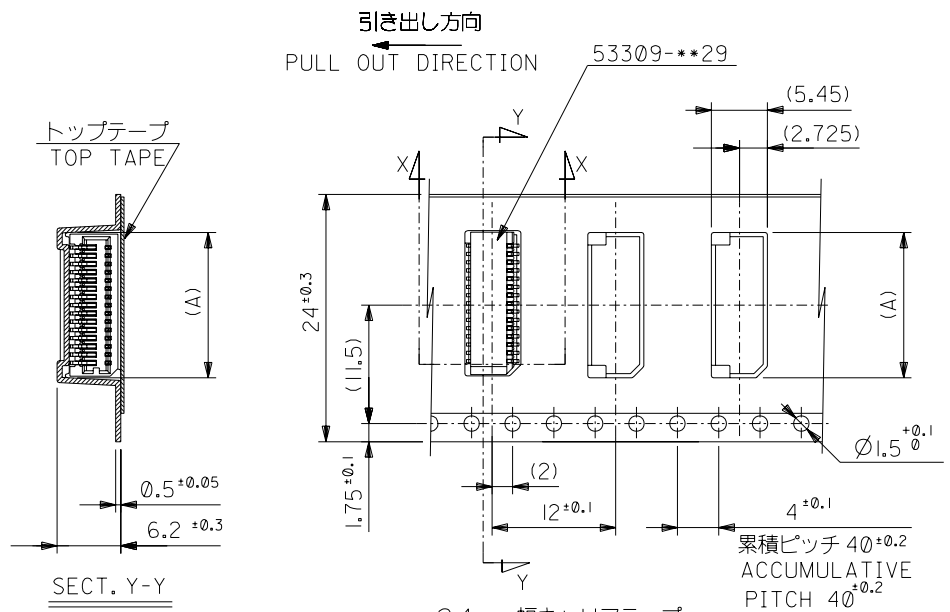
嵌合状態図 (参考)
 MATED DRAWING(REF.)



53309-***29
 嵌合相手 52588 シリーズ
 MATES WITH 52588 SERIES

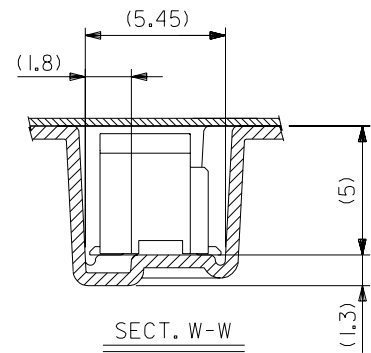
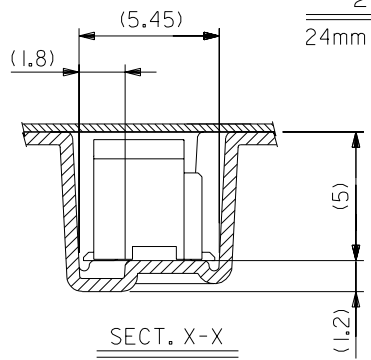
嵌合状態図 (参考)
 MATED DRAWING(REF.)

REVISED EC NO: J2010-1285 DRWN: YON002 CHKD: SMARUYAMA APPR: SMARUYAMA	DESCRIPTION REV	GENERAL TOLERANCES (UNLESS SPECIFIED)		DIMENSION STYLE MM ONLY		SCALE ---	DESIGN UNITS METRIC	THIRD ANGLE PROJECTION	
		10 UNDER	±0.2	DRAWN BY M. NINOMIYA	DATE 2004/03/10	TITLE 0.8 B/B CONN. WAFER ASS'Y R/A SMT(WITHOUT BOSS)			
		10 OVER 30 UNDER	±0.25	CHECKED BY K. TOJO	DATE 2004/03/10	MOLEX INCORPORATED			
		30 OVER	±0.3	APPROVED BY M. SASAO	DATE 2004/03/10	DOCUMENT NO. SD-53309-011			
ANGULAR ±3 °		DRAFT WHERE APPLICABLE MUST REMAIN WITHIN DIMENSIONS		MATERIAL NO. SEE SHEET 1		SHEET NO. 2 OF 2			
				SIZE A3		THIS DRAWING CONTAINS INFORMATION THAT IS PROPRIETARY TO MOLEX INCORPORATED AND SHOULD NOT BE USED WITHOUT WRITTEN PERMISSION			



24mm幅キャリアテープ
24mm WIDTH CARRIER TAPE

32mm幅キャリアテープ
32mm WIDTH CARRIER TAPE



24	29.4	25.4	16.5	53309-3670	36
			15.7	53309-3470	34
			14.9	53309-3270	32
			14.1	53309-3070	30
			13.3	53309-2870	28
			12.5	53309-2670	26
			11.7	53309-2470	24
			10.9	53309-2270	22
10.1	53309-2070	20			
キャリアテープ幅 CARRIER TAPE WIDTH	C	B	(A)	MATERIAL NO.	極数 CIRCUIT

53309-***70		M.N.	
MODEL NO.		DR.	DATE
角度 ANGLE	+3°	CHK.	
30以上 OVER	+0.3		
10以上 OVER 30未滿 UNDER	+0.25		
未滿 10 UNDER	+0.2		
一般公差 GENERAL TOLERANCES			

材料 MATERIAL	
仕上げ FINISH	—
適用電線範囲 WIRE RANGE	—
被覆外径 INS. RANGE	—
DRAWN BY '04/03/10	CHK'D BY '04/03/10
M.NINOMIYA	K.TOJO
APP'D BY '04/03/10	尺 SCALE
M.SASAO	—

32	37.4	33.4	18.1	53309-4070	40
キャリアテープ幅 CARRIER TAPE WIDTH	C	B	(A)	53309-3870	38
				MATERIAL NO.	極数 CIRCUIT
材料 MATERIAL SHEET 1 OF 2 参照 REFER TO SHEET 1 OF 2 仕上げ FINISH 適用電線範囲 WIRE RANGE 被覆外径 INS. RANGE DRAWN BY '04/03/10 M.NINOMIYA APP'D BY '04/03/10 M.SASAO					
MOLEX-JAPAN CO.,LTD. 日本モレックス株式会社 REVISE ONLY ON CAD SYSTEM TITLE 名称 0.8 BtB Wafer Assy RA SMT Without Boss Embstp Pkg -LEAD FREE- DWG. NO. (SHEET 2 OF 2) REV SD-53309-012 0					