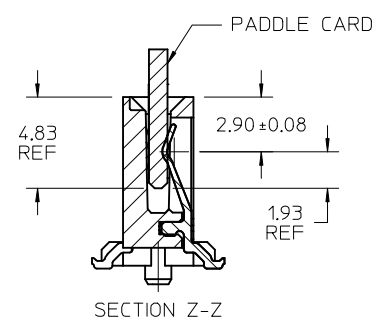
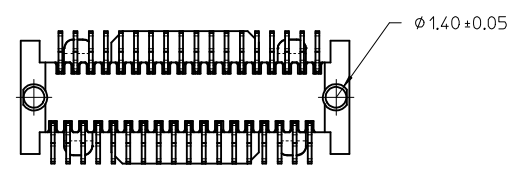
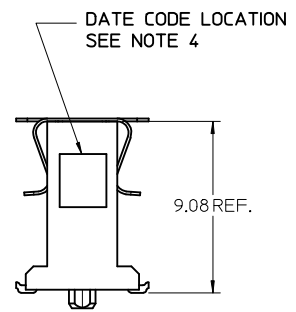
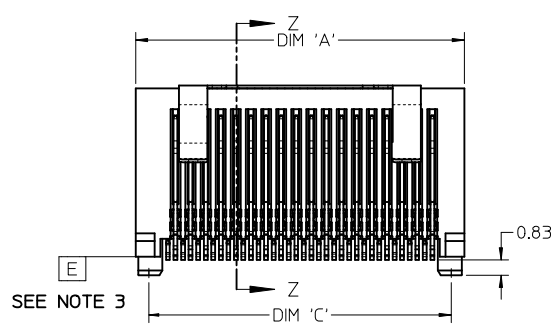


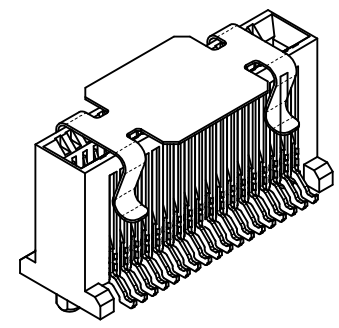
36 CIRCUIT ASSEMBLY SHOWN



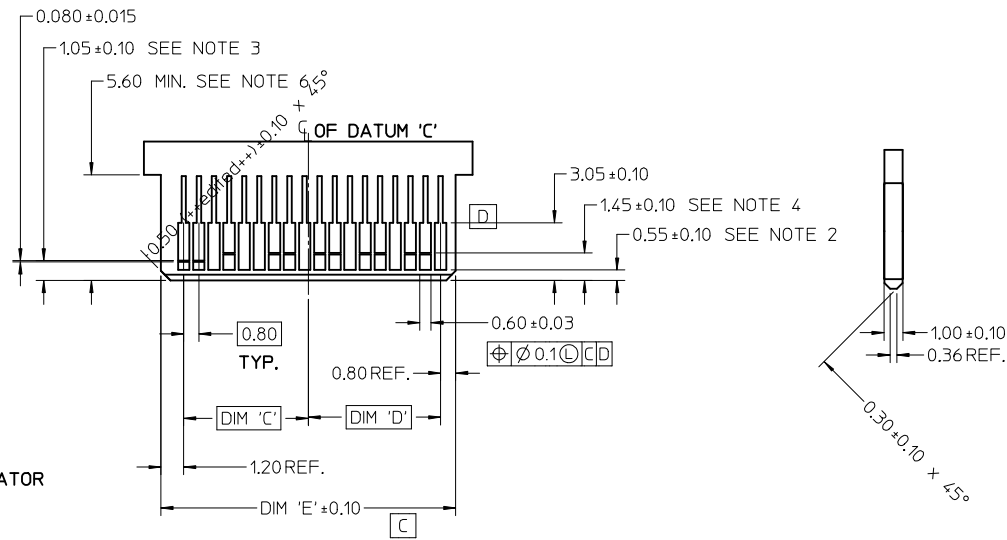
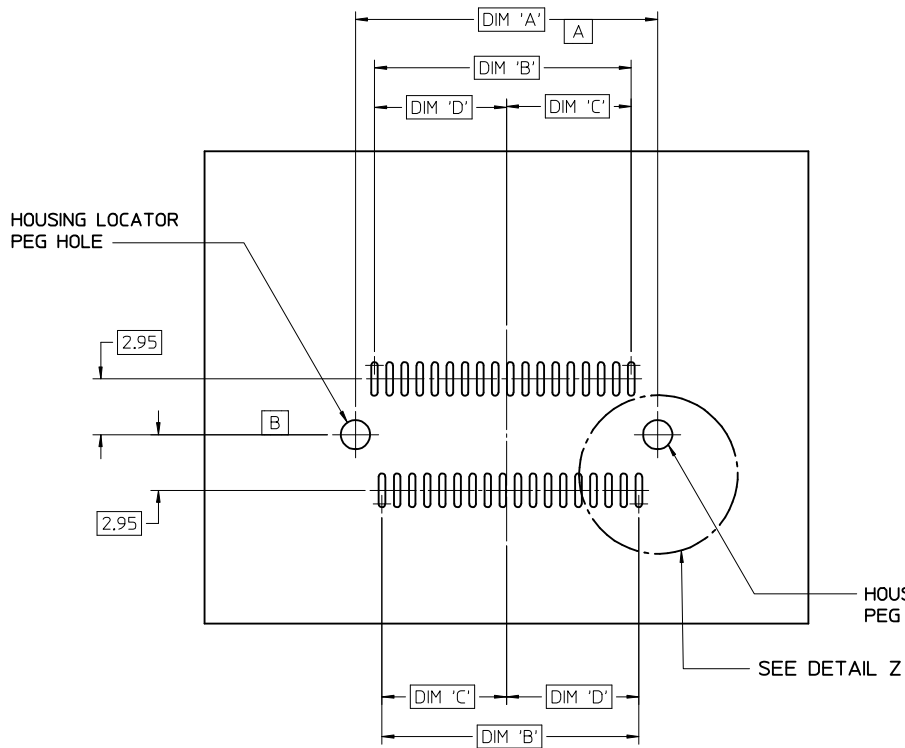
NOTES:

1. MATERIAL:
HOUSING - HIGH TEMPERATURE THERMOPLASTIC GLASS FILLED, UL 94V-0, BLACK
TERMINALS - COPPER ALLOY
2. TERMINAL PLATING:
OPTION 1
CONTACT AREA: 0.384mm HARD GOLD OVER 2.544mm NICKEL
SOLDER AREA: 2.54-5.094mm TIN OVER 1.274mm NICKEL
OPTION 2
CONTACT AREA: 0.764mm HARD GOLD OVER 2.544mm NICKEL
SOLDER AREA: 2.54-5.094mm TIN OVER 1.274mm NICKEL
3. TERMINAL SOLDER FEET TO BE COPLANAR WITHIN 0.10/004 MEASURED FROM FRONT HOUSING STANDOFF (DATUM E)
4. DATE CODE: 4 DIGIT (3 DIGIT DAY, 1 DIGIT YEAR)
5. CIRCUIT IDENTIFIER: SEE APPROPRIATE INDUSTRY SPECIFICATION FOR LOCATION OF PIN 1
6. MATES WITH:
A. INTERNAL CABLE SERIES:
79575/74563/79576/74573/79536/74562/74569/74586
B. PADDLE CARD PCB: DO NOT BOTTOM OUT PCB IN THE CONNECTOR. SEE SECTION Z-Z.
USE WITH APPROPRIATE INTERNAL SHELL FROM SD-76010-002
7. LITTLE ROCK PACKAGING PER PK-75577-001
CHENGDU PACKAGING PER PK-75577-002
8. CONFORMS TO PRODUCT SPECIFICATION PS-75783-001
9. CONFORMS TO APPLICATION SPECIFICATION AS-75783-001

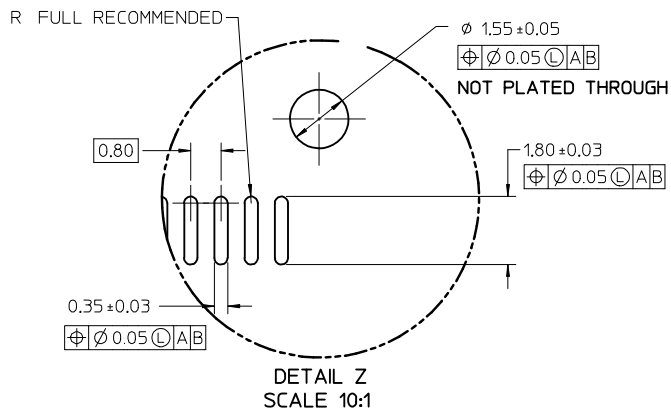
CIRCUIT SIZE	MAT'L NUMBER	PLATING OPTION	DIM 'A'	DIM 'B'	DIM 'C'
26	75577-1001	OPTION 1	13.40	11.80	12.00
26	75577-1005	OPTION 2	13.40	11.80	12.00
36	75577-1002	OPTION 1	17.40	15.80	16.00
36	75577-1006	OPTION 2	17.40	15.80	16.00
50	75577-1003	OPTION 1	23.00	21.40	21.60
50	75577-1007	OPTION 2	23.00	21.40	21.60
68	75577-1004	OPTION 1	30.20	28.60	28.80
68	75577-1008	OPTION 2	30.20	28.60	28.80



REV CHART 50 CKT EC NO: UCP2016-4825 DRWN: KALLAGHAN 2016/06/20 CHKD: TMCLELLAND 2016/06/22 APPR: TMCLELL 2016/06/22	QUALITY SYMBOLS ▽=0 ▽=0 ▽=0	GENERAL TOLERANCES (UNLESS SPECIFIED) mm INCH		DIMENSION STYLE MM ONLY		SCALE 5:1	DESIGN UNITS METRIC	THIRD ANGLE PROJECTION		
		4 PLACES	± ---	± ---	DRAWN BY	DATE	TITLE SALES DRAWING IPASS VERTICAL CONNECTOR .8 MM PITCH I/O molex			
		3 PLACES	± ---	± ---	CHECKED BY	DATE				
		2 PLACES	± 0.13	± ---	APPROVED BY	DATE	DOCUMENT NO. SD-75577-002			
1 PLACE	± 0.25	± ---	MATERIAL NO.	DATE						
0 PLACE	±	±	ANGULAR ±1/2° DRAFT WHERE APPLICABLE MUST REMAIN WITHIN DIMENSIONS		SEE CHART		SHEET NO. 1 OF 2			
THIS DRAWING CONTAINS INFORMATION THAT IS PROPRIETARY TO MOLEX INCORPORATED AND SHOULD NOT BE USED WITHOUT WRITTEN PERMISSION										



36 CIRCUIT SHOWN
PATTERN FOR REPRESENTATION ONLY



NOTES:

- FOR APPROPRIATE SHELL FOOT PRINT AND KEEP OUT AREAS, SEE SD-76010-002
- PAD CONFIGURATION FOR FIRST MATE
- PAD CONFIGURATION FOR SECOND MATE
- PAD CONFIGURATION FOR THIRD MATE (HIGH SPEED SIGNALS)
- FOR PIN ASSIGNMENTS AND MATING SEQUENCE (1ST, 2ND, 3RD), SEE APPLICABLE SPECIFICATION
- MINIMUM STEP REQUIRED IF PCB MADE WIDER THAN CARD TOUNGE
- THESE ARE GENERIC DETAILS THAT DESCRIBES THE CONFIGURATION OF VARIOUS PCB DESIGN ELEMENTS. THE CUSTOMER MUST DETERMINE WHERE AND WHEN TO USE EACH ELEMENT TO ACCOMMODATE THEIR SPECIFIC APPLICATION.
- CHAMFER ROUGHNESS NOT TO EXCEED 3.17µM.
- EDGE CARD CHAMFER NOT TO GO THROUGH GOLD PAD.

CIRCUIT SIZE	DIMENSIONS				
	DIM 'A'	DIM 'B'	DIM 'C'	DIM 'D'	DIM 'E'
26	12.00	9.60	4.60	5.00	11.60
36	16.00	13.60	6.60	7.00	15.60
50	21.60	19.20	9.40	9.80	21.20
68	28.80	26.40	13.00	13.40	28.40

SEE SHEET 1 EC NO: UCP2016-4825 DRINKCALLAGHAN 2016/06/20 CHKD:MCCELLEND 2016/06/22 APPR:MCCELLEND 2016/06/22	QUALITY SYMBOLS 	GENERAL TOLERANCES (UNLESS SPECIFIED)		DIMENSION STYLE MM ONLY		SCALE 5:1	DESIGN UNITS METRIC	THIRD ANGLE PROJECTION	
		mm INCH		DRAWN BY JLSWENSON	DATE 06/07/07	TITLE SALES DRAWING IPASS VERTICAL CONNECTOR .8 MM PITCH I/O			
		4 PLACES ± --- ± --- 3 PLACES ± --- ± --- 2 PLACES ± 0.13 ± --- 1 PLACE ± 0.25 ± --- 0 PLACE ± ±		CHECKED BY KLANG	DATE 06/07/07	DOCUMENT NO. SD-75577-002			
		ANGULAR ±1/2°		APPROVED BY MBANAKIS	DATE 06/07/07	MATERIAL NO. SEE SHEET 1		SHEET NO. 2 OF 2	
DRAFT WHERE APPLICABLE MUST REMAIN WITHIN DIMENSIONS									
THIS DRAWING CONTAINS INFORMATION THAT IS PROPRIETARY TO MOLEX INCORPORATED AND SHOULD NOT BE USED WITHOUT WRITTEN PERMISSION									